



SP07Q2RY - SP12Q2RY Series

7 - 12 Watt AC - DC Wall Plug-In Power Supply
UL/IEC 62368-1 2nd Ed., DoE Level VI, RoHS 2

Date: 9/25/18

Rev: 080218

Page: 1 of 2

The SP07Q2RY - SP12Q2RY switch mode power supply offers 7 Watts to 12 Watts output power, with an output voltage range of 3.3 Vdc - 24 Vdc. Case style includes a US / Japanese input prong and accommodates a power strip, with UL/cUL and IEC 62368-1 2nd Edition and 60950-1 2nd Edition safety approvals, and Energy Efficiency Level 6.



Input Voltage	90 to 264 Vac
Input Frequency	47 to 63 Hz
Input Current	0.31 A Max.
Leakage Current	0.25 mA Max.
Withstanding Voltage	Primary to Secondary: 3000 Vac
Output Voltage & Current	See Table on Page 2
Ripple & Noise (P-P) ¹	3% Max.
Over-Voltage Protection	Unit is protected from over-voltage conditions
Over-Current Protection	Unit is protected from over-current conditions
Transient Response Time	With 50% Load Change: 0.5 ms
Efficiency	Meets Energy Efficiency Level VI Criteria
No Load Power Consumption	Meets Energy Efficiency Level VI Criteria
Load Regulation	± 5% Typ.
Hold-Up Time	5 ms Min.
Withstanding Voltage	Primary to Secondary: 3,000 Vac Min.
Mean Time Between Failure	Full Load at 25°C Ambient: 300,000 Hours Min. (Telcordia)
Operating Temperature	0 to 40°C
Storage Temperature	-20 to 80 °C
Weight	66 g
Industry Compliance	RoHS 2, DoE VI
EMI Requirements	Meets Conduction and Radiation Limits of: FCC Part 15 Class B, CISPR-22 Class B, ICES-003 Issue 6 Class B, and ANSI C63.4: 2014
Safety Compliance	UL/cUL (UL 62368-1:2 nd Ed., UL 60950-1:2 nd Ed.), CB (IEC 62368-1:2 nd Ed.), PSE, BSMI, LPS

Features:

- Universal Input 100 - 240 Vac
- Over-Voltage Protection
- Over-Current Protection
- Short Circuit Protection
- 100% Burn-In
- RoHS 2 Compliant
- DoE Level VI

Note:

1. Ripple & Noise are measured with a 0.1 µF multilayer capacitor & 0.10 µF low ESR electrolytic capacitor in parallel and a 20 MHz bandwidth-limited scope.



SP07Q2RY - SP12Q2RY Series

7 - 12 Watt AC - DC Wall Plug-In Power Supply
UL/IEC 62368-1 2nd Ed., DoE Level VI, RoHS 2

Date: 9/25/18

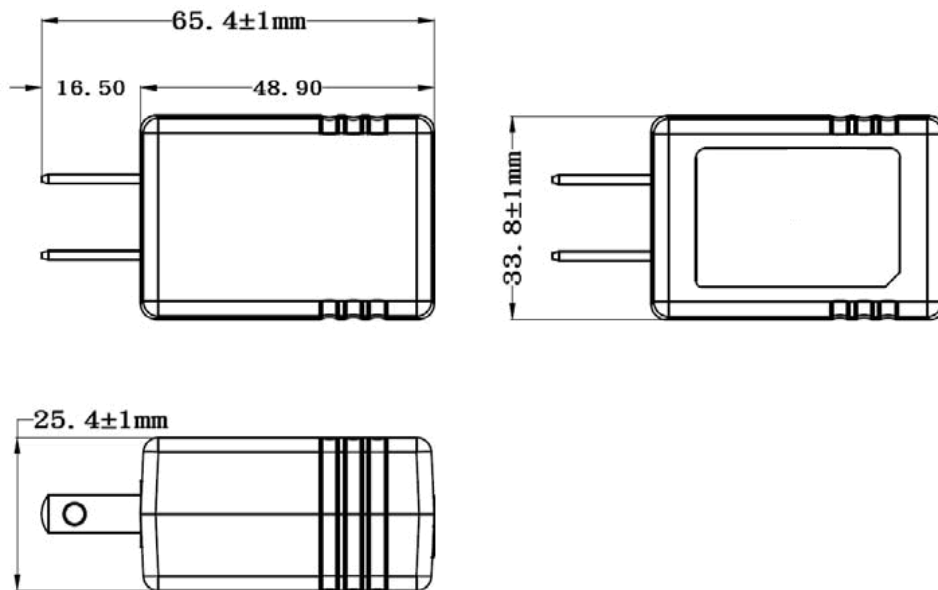
Rev: 080218

Page: 2 of 2

Output Voltage and Current Table

Model Number	Output Voltage	Maximum Output Current	Maximum Output Power
SP07Q2RU03R	3.3 Vdc	2.0 A	6.6 W
SP10Q2RU05R	5.0 Vdc	2.0 A	10 W
SP12Q2RU06R	5.9 Vdc	2.0 A	12 W
SP11Q2RU09R	9.0 Vdc	1.2 A	11 W
SP12Q2RU12R	12.0 Vdc	1.0 A	12 W
SP12Q2RU15R	15.0 Vdc	0.8 A	12 W
SP12Q2RU24R	24.0 Vdc	0.5 A	12 W

Mechanical Specification (mm)



Note: Output connector to be specified by customer.
APX will be happy to recommend the appropriate connector for your application needs.
The cable length and wire gauge will be dependent on the Energy Efficiency level requirements.