



SP120Q Series

120 Watt AC - DC Desk-Top Power Supply
Energy Efficiency Level VI, RoHS 2 Compliant

Date: 2/11/16

Rev: 021116

Page: 1 of 3

The SP120Q Series switch mode power supply offers 120 Watts output power, with an output voltage range of 12 Vdc - 56 Vdc. Case style is a desktop enclosure with choice of IEC-320 C6 and C14 input socket, with UL/cUL, EN and IEC 60950-1 2nd Edition safety approvals, and Energy Efficiency Level 6.

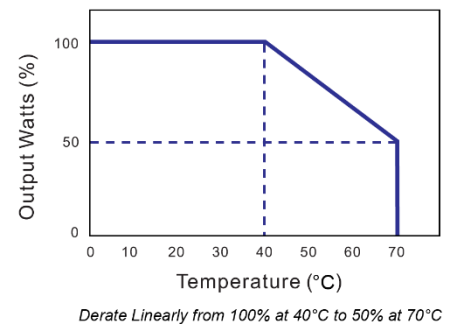


Input Voltage	90 to 264 Vac
Input Frequency	47 to 63 Hz
Input Current	1.6 A Max
Leakage Current	3.5 mA Max
Output Voltage & Current	See Table on Page 2
Ripple & Noise (P-P)	2% Max <i>Measured w/ 0.1 μF ceramic capacitor & 47 μF electrolytic capacitor in parallel</i>
Over-Voltage Protection	Unit is protected from over-voltage conditions
Over-Current Protection	Unit is protected from over-current conditions
Over-Temperature Protection	Unit is protected from over-temperature conditions
Temperature Coefficient	$\pm 0.04\%$ / °C Max
Transient Response Time	Load Change from 100% - 50%: 0.5 ms
Efficiency	Meets Energy Efficiency Level VI Criteria
No Load Power Consumption	Meets Energy Efficiency Level VI Criteria
Load Regulation	$\pm 5\%$ Max
Hold-Up Time	10 ms Min
Mean Time Between Failure	Full Load at 25°C Ambient: 100,000 Hours Min
Operating Temperature	See Derating Curve
Storage Temperature	-20 to 80°C
Weight	590 g (Ref.)
Industry Compliance	RoHS 2, Energy Efficiency Level VI
EMI Requirements	Meets Conduction and Radiation Limits of: FCC Part 15 Class B, CISPR-22 Class B, and EN 55022 Class B
Safety Compliance	UL/c-UL (UL 60950-1:2nd Edition), GS (EN 60950-1:2nd Edition), CE, CB, FCC, PSE, BSMI, CCC, RCM, KC (24 Vdc Output Only)

Features:

- Universal Input 100 - 240 Vac
- IEC 320 C14 and C6 Input
- Over-Voltage Protection
- Over-Current Protection
- Over-Temperature Protection
- Short Circuit Protection
- 100% Burn-In
- RoHS 2 Compliant
- Energy Efficiency Level: VI

Derating Curve





SP120Q Series

120 Watt AC - DC Desk-Top Power Supply
Energy Efficiency Level VI, RoHS 2 Compliant

Date: 2/11/16

Rev: 021116

Page: 2 of 3

Output Voltage and Current Table

Model Number	Output Voltage	Output Current <i>Limited to Output Power</i>	Maximum Output Power
SP120Q_12R	12 Vdc	9.00 A	108 W
SP120Q_15R	15 Vdc	8.00 A	120 W
SP120Q_16R	16 Vdc	7.50 A	120 W
SP120Q_18R	18 Vdc	6.60 A	120 W
SP120Q_19R	19 Vdc	6.30 A	120 W
SP120Q_20R	20 Vdc	6.00 A	120 W
SP120Q_24R	24 Vdc	5.00 A	120 W
SP120Q_30R	30 Vdc	4.00 A	120 W
SP120Q_48R	48 Vdc	2.50 A	120 W
SP120Q_56R	56 Vdc	2.14 A	120 W

SP120Q R

→ Output Voltage: See Table
→ Input Plug: 6 = C6 Socket
9 = C14 Socket



TECHNOLOGIES INC.
HICKSVILLE, NEW YORK

264 Duffy Avenue
Hicksville, NY 11801

Tel: (516) 433-1313
Fax: (516) 433-1457

Web: www.apxonline.com
Email: sales@apxonline.com

Specification subject to
change without notice



SP120Q Series

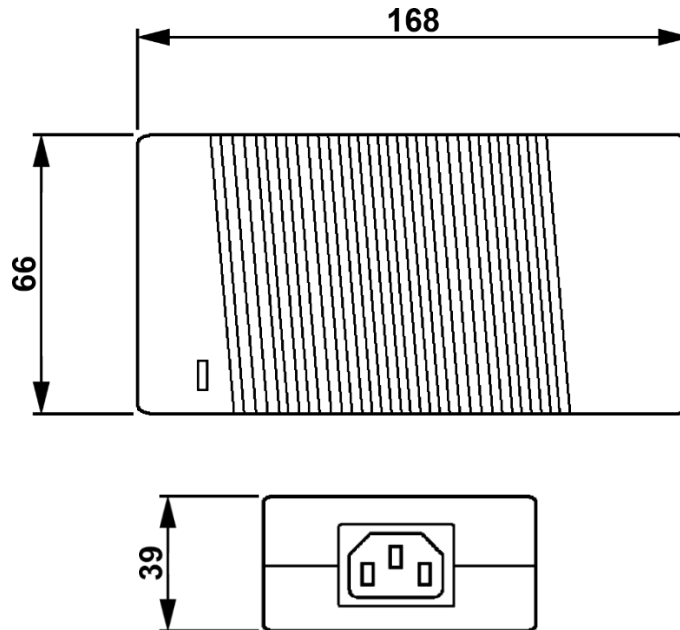
120 Watt AC - DC Desk-Top Power Supply
Energy Efficiency Level VI, RoHS 2 Compliant

Date: 2/11/16

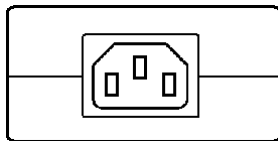
Rev: 021116

Page: 3 of 3

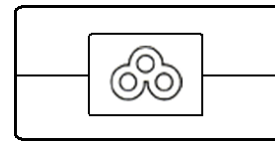
Mechanical Specification (mm)



SP120Q9: C14 Inlet



SP120Q6: C6 Inlet



Note:

Output connector to be specified by customer.

Standard connector is a 2.5 x 5.5 x 11 mm female barrel plug, center positive (+).

The cable length and wire gauge will be dependent on the Energy Efficiency level requirements.