



SP15QY – SP20QY Series

15 - 20 Watt AC - DC Wall Plug-In Power Supply
UL/EN/IEC 62368-1 2nd Ed., DoE VI, CoC v5 Tier 2

Date: 9/2718

Rev: 072018

Page: 1 of 3

The SP15QY – SP20QY Series switch mode power supply offers 15 Watts to 20 Watts output power, with an output voltage range of 5 Vdc – 24 Vdc. Case styles include US, Europe, British, Korea, Australia, and China input prongs, with UL/EN/IEC 62368-1 2nd Edition and 60950-1 2nd Edition safety approvals, with DoE Level 6 and CoC v5 Tier 2 efficiency.



Input Voltage	90 to 264 Vac
Input Frequency	47 to 63 Hz
Input Current	0.48 A Max.
Leakage Current	0.25 mA Max.
Output Voltage & Current	See Table on Page 2
Ripple & Noise (P-P) ¹	2% Max.
Over-Voltage Protection	Unit is protected from over-voltage conditions
Over-Current Protection	Unit is protected from over-current conditions
Transient Response Time	With 50% Load Change: 0.5 ms
Efficiency	Meets DoE Level VI and CoC v5 Tier 2 Criteria
No Load Power Consumption	Meets DoE Level VI and CoC v5 Tier 2 Criteria
Load Regulation	± 5% Typ.
Hold-Up Time	10 ms Min.
Withstanding Voltage	Primary to Secondary: 3000 Vac
Mean Time Between Failure	Full Load at 25°C Ambient: 300,000 Hours Min (Telcordia)
Operating Temperature	0 to 40°C
Storage Temperature	-20 to 80°C
Weight	US/Japan and China Model: 148 g European Model: 154 g British Model: 158 g Australian Model: 150 g
Industry Compliance	RoHS 2, DoE VI, CoC v5 Tier 2
EMC Requirements	EN 55024, EN 61000-3-2, -3-3
EMI Requirements	Meets Conduction and Radiation Limits of: FCC Part 15 Class B, CISPR-32 Class B, and EN 55032 Class B
Safety Compliance	USA/Japan: UL/cUL (UL/GSA 62368-1:2 nd Ed., 60950-1:2 nd Ed.), PSE, BSMI, CB, LPS Europe & UK: CE, CB (EN 62368-1:2 nd Ed.), TUV/GS (EN 60950-1:2 nd Ed.), LPS Korea: KC, CB (IEC 62368-1:2 nd Ed.), LPS Australia: RCM, CB (IEC 62368-1:2 nd Ed.), LPS China: CCC, CB (IEC 62368-1:2 nd Ed.), LPS

Features:

- Universal Input 100 - 240 Vac
- Available with US, Europe, British, Korea, Australia, and China Case Styles
- Over-Voltage Protection
- Over-Current Protection
- Short Circuit Protection
- 100% Burn-In
- RoHS 2 Compliant
- DoE Level VI
- CoC v5 Tier 2

Note:

1. Ripple & Noise are measured with a 0.1 µF multilayer capacitor & 10 µF low ESR electrolytic capacitor in parallel and a 20 MHz bandwidth-limited scope.



SP15QY – SP20QY Series

15 - 20 Watt AC - DC Wall Plug-In Power Supply
UL/EN/IEC 62368-1 2nd Ed., DoE VI, CoC v5 Tier 2

Date: 9/2718

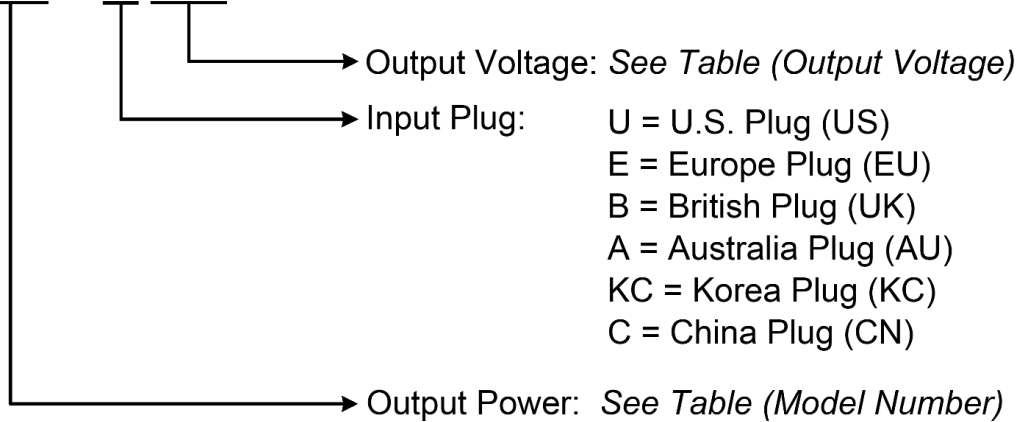
Rev: 072018

Page: 2 of 3

Output Voltage and Current Table

Model Number	Output Voltage	Output Current	Output Power
SP15Q_05R	5.0 Vdc	3.0 A	15.00 W
SP15Q_06R	5.9 Vdc	2.5 A	14.75 W
SP18Q_06R	5.9 Vdc	3.0 A	17.70 W
SP18Q_07R	7.0 Vdc	2.5 A	17.50 W
SP19Q_07R	7.5 Vdc	2.5 A	18.75 W
SP20Q_09R	9.0 Vdc	2.2 A	19.80 W
SP19Q_10R	10.0 Vdc	1.9 A	19.00 W
SP18Q_11R	11.0 Vdc	1.6 A	17.60 W
SP19Q_12R	12.0 Vdc	1.6 A	19.20 W
SP20Q_15R	15.0 Vdc	1.3 A	19.50 W
SP19Q_16R	16.0 Vdc	1.2 A	19.20 W
SP20Q_18R	18.0 Vdc	1.1 A	19.80 W
SP19Q_24R	24.0 Vdc	0.8 A	19.20 W

SP□□Q□□□R





SP15QY – SP20QY Series

15 - 20 Watt AC - DC Wall Plug-In Power Supply
UL/EN/IEC 62368-1 2nd Ed., DoE VI, CoC v5 Tier 2

Date: 9/2718

Rev: 072018

Page: 3 of 3

Mechanical Specification (mm)

SP__QU: US Prongs	SP__QC: China Prongs	SP__QE: Europe Prongs	SP__QKC: Korean Prongs
SP__QB: British Prongs	SP__QA: Australia Prongs		

Note: Output connector to be specified by customer.
 APX will be happy to recommend the appropriate connector for your application needs.
 The cable length and wire gauge will be dependent on the Energy Efficiency level requirements.