



### Features:

- Universal Input 100 – 240 VAC
- 5 VDC to 48 VDC
- 16.5 to 25 Watts
- Over-Current Protection
- 100% Burn-In
- LED Indication
- C-14, C-8 or C-6 Input Socket Available
- RoHS Compliant
- CEC Efficiency Level: IV & V



### Input

Input Voltage	90 to 264 VAC
Input Frequency	47 to 63Hz
Input Current	0.55A Max. at 115VAC 0.3A Max. at 230VAC
Safety Ground Leakage Current	0.75mA Max.

### Output

Output Voltage & Current	<b>See Chart</b>
Ripple & Noise (P-P)	1% Max, Full Load @ 90VAC Input
Over-Current Protection	Output Protected to Short Circuit Conditions
Temperature Coefficient	± 0.04% / °C Max.
Transient Response	Full Load to Half Load @ 100VAC Input: 4mS Max.

### Environmental

Operating Temperature (For SPL25P Series)	0°C to 70°C (-20°C to 70°C)
Derating	Derated from 100% at +40°C to 50% at +70°C
Storage Temperature	-40°C to 85°C
Relative Humidity	5% to 95% Non-Condensing

### Electrical

Efficiency	Meets CEC Level IV & V
No Load Power Consumption	≤0.3 Watts (12 - 48V Output) ≤0.5 Watts (5 - 11V Output)
Hold-Up Time	16mS Max.
Line Regulation	±1% Max. at Full Load
Load Regulation	±5% Max. at 230VAC
Inrush Current	25A @ 115VAC Max. 50A @ 230VAC Max. at 25°C Cold Start
Withstanding Voltage	4242 VDC from Input to Output, 2121 VDC from Input to Ground
Insulation Resistance	50 MΩ Min. from Output to Ground
Mean Time Between Failure (MTBF)	300,000 Hours Min., Full Load at 25°C Ambient

### Safety

EMI Requirements	Meets Conduction Limits of: (A) FCC Part-15 Class B (B) CISPR-22 Class B
Safety Standards	Meets or Exceeds: (A) UL/C-UL (UL 60950-1) (B) TUV/GS (EN 60950-1) (C) CB (D) PSE (E) LPS (F) CE (G) CCC (H) CCC (SP25P Series Only) (I) CEC Level IV (5 - 11V Output) (J) CEC Level V (12 - 48V Output)



# SP25P/ SPL25P Series

Desk-Top, Switchmode Power Supply  
RoHS Compliant, CEC Efficiency Level IV & V

Date: 11/22/11

Rev: 112211

Page: 2 of 3

## Output Voltage and Current Chart

Model Number**	Output Voltage	Output Current	Total Regulation	Maximum Output Power
SP25PYXXR	5 - 6 VDC	3.00 - 2.75 A	5%	16.5W
SP25PYXXR	6 - 8 VDC	3.30 - 2.50 A	5%	20W
SP25PYXXR	8 - 11 VDC	2.75 - 2.00 A	5%	22W
SP25PYXXR	11 - 13 VDC	2.27 - 1.92 A	5%	25W
SP25PYXXR	14 - 16 VDC	1.79 - 1.56 A	5%	25W
SP25PYXXR	17 - 21 VDC	1.47 - 1.19 A	5%	25W
SP25PYXXR	22 - 27 VDC	1.14 - 0.92 A	3%	25W
SP25PYXXR	28 - 33 VDC	0.89 - 0.75 A	3%	25W
SP25PYXXR	34 - 40 VDC	0.73 - 0.62 A	3%	25W
SP25PYXXR	41 - 48 VDC	0.61 - 0.52 A	3%	25W

\*\* To Determine Part Number:

- Replace "Y" with Required Input Socket Style (9 = C-14, 8 = C-8, 6 = C-6)
- Replace "XX" with Required Output Voltage (5VDC = "05", 12VDC = "12", 48VDC = "48", etc.)  
Example: SP25P624R indicates a 24VDC Unit with a C-6 Input Socket.
- **For Extended Temperature Range of -20°C to 70°C, order as: SPL25PYXXR**
- Note: The following models are PSE approved:  
SPL/SP25P9 (C14 Input): 5V - 29V Output      SPL/SP25P8 (C8 Input): 5V - 11V Output  
SPL/SP25P6 (C6 Input): 5V - 29V Output
- Note: The following models are CEC Level IV approved: 5V - 11V Output  
The following models are CEC Level V approved: 12V - 48V Output



TECHNOLOGIES INC.  
HICKSVILLE, NEW YORK

• 264 Duffy Avenue  
• Hicksville, NY 11801

• Tel: (516) 433-1313  
• Fax: (516) 433-1457

• Web: [www.apxonline.com](http://www.apxonline.com)  
• Email: [sales@apxonline.com](mailto:sales@apxonline.com)

• © Copyright 1978  
• APX Technologies, Inc.



# SP25P/ SPL25P Series

Desk-Top, Switchmode Power Supply  
RoHS Compliant, CEC Efficiency Level IV & V

Date: 11/22/11

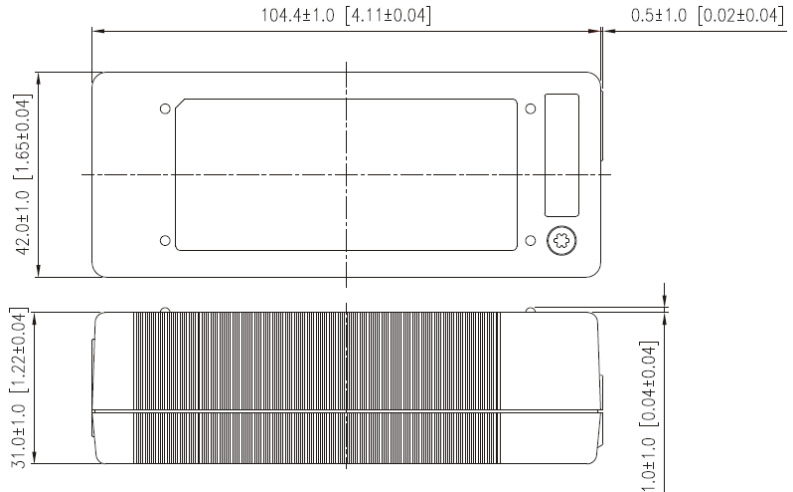
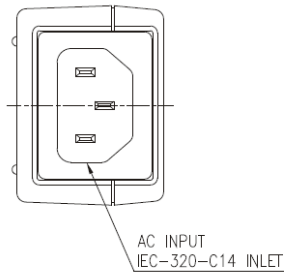
Rev: 112211

Page: 3 of 3

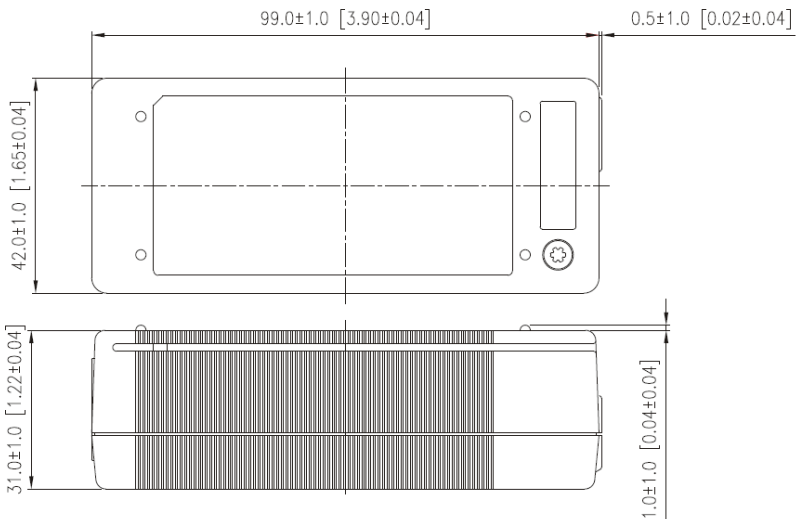
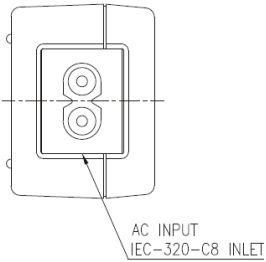
Note: Output Connector to be specified.

Standard Connector: 4 ft. (AWG#18) cable w/ 2.5x5.5x11mm female barrel coaxial plug, center-hole positive (+).

Order as: SP25P9\_\_R



Order as: SP25P8\_\_R



Order as: SP25P6\_\_R

