

## Universal AC Current Monitor

### SPECIFICATIONS

<b>CONTROL VOLTAGE</b>	24 or 120 VAC; 50/60 Hz, 24 VDC	
<b>OUTPUT</b>	DPDT, 10 Amp @ 120 VAC Resistive	
<b>RESPONSE TIME</b>	Operate	0.1 to 10 SEC Adjustable
	Release	0.3 to 30 SEC Adjustable
<b>INDICATORS</b>	Glows when relay is energized	
<b>RESET</b>	Automatic	
<b>HYSTERESIS</b>	5%	
<b>TEMPERATURE RATING</b>	Operate	32° to 131°F (0° to +55°C)
	Storage	-49° to 185°F (-45° to +85°C)
<b>SOCKETS</b>	RB-08 or PF083A	
<b>ENCLOSURE</b>	Lexan Dust Cover; 8-Pin plug-in	
<b>WEIGHT</b>	13 oz	

### MODEL NUMBER

<b>MODEL NUMBER</b>	CMD			S	E	
<b>CONTROL VOLTAGE</b>	24 Volts	24				
	120 Volts	120				
<b>TYPE OF CONTROL VOLTAGE</b>	AC		A			
	DC		D			
<b>CURRENT TRIP POINTS</b>	0.05 to 0.25 amp adj. max continuous	3.4 amps	.25			
	0.2 to 1 amp adj. max continuous	11.9 amps	1			
	1.0 to 5.0 amps adj. max continuous	13.4 amps	5			
	2.0 to 10 amps adj. max continuous	25 amps	10			
	4.0 to 20 amps adj. max continuous	25 amps	20			

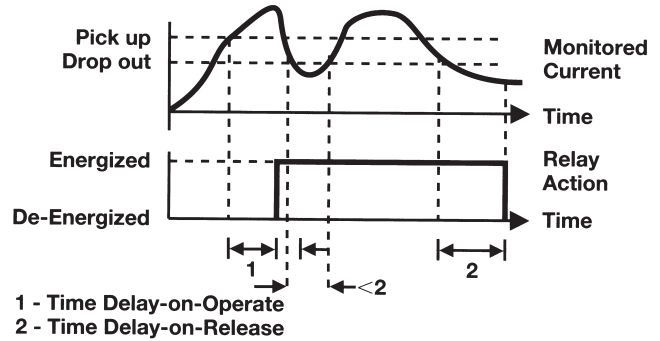
### OPERATION

The CMD Series may be used as an **OVER CURRENT** Monitor or an **UNDER CURRENT** Monitor.

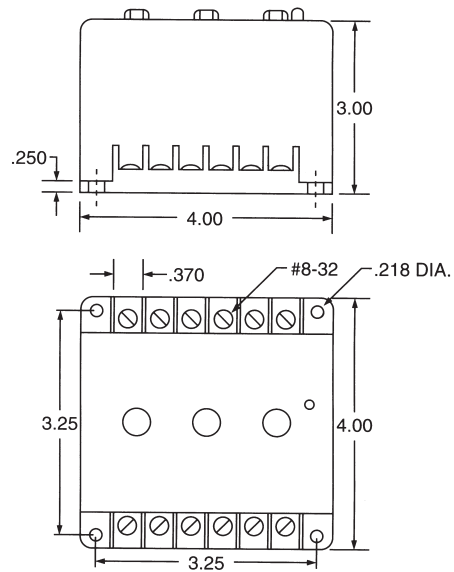
The CMD has adjustable Delay-on-Operate and adjustable Delay-on-Release time delays. When the current exceeds the preset current trip point for longer than the Delay-on-Operate time delay, the internal relay will energize (Pick-up). When the current drops below the preset current trip point for longer than the Delay-on-Release time delay, the internal relay will de-energize (Drop-out). When used as an over current monitor the Delay-on-Operate time delay is used to override inrush periods. When used as an under current monitor, the Delay-on-Release timer is used to override a temporary under current condition.

An External CT may be used to extend the range of the Current Monitor.

### CMD



### DIMENSIONS (INCHES)



### WIRING

