

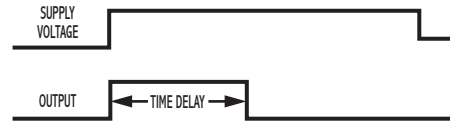


CAUS
E55826

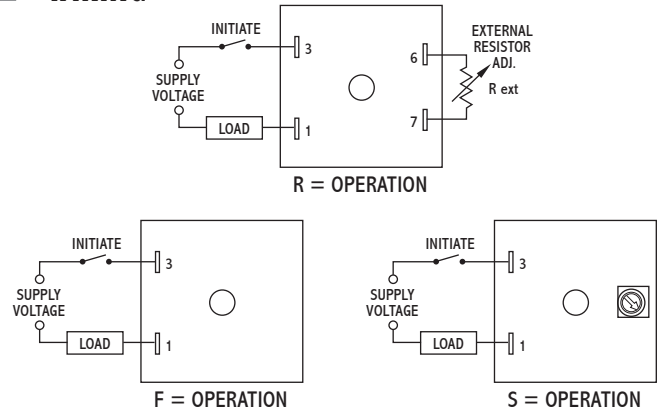
Interval Solid-State Output

OPERATION

When voltage is applied to the input terminals, the load energizes and the time delay begins. Upon completion of the delay period, the load de-energizes. Reset during or after the delay period is accomplished by removal of the input voltage. The TSA Series is a two input terminal device that connects in series with the input and load.



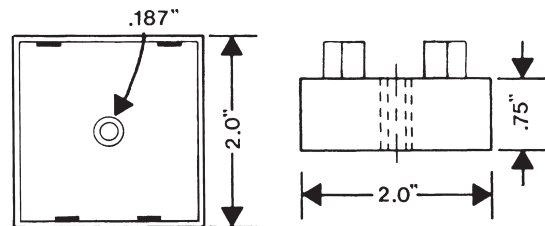
WIRING



SPECIFICATIONS

TIMING RANGES	Virtually unlimited. See page 73 for standard ranges available.	
OUTPUT RATING	Solid-state, SPST-N.O. 1 amp resistive; 1A resistive or 25VA 1A resistive or 125VA 0.5A resistive or 125VA	
TIMING TOLERANCES	Minimum Setting	+0 – 20%
	Maximum Setting	±10%
REPEATABILITY	1% maximum; no first cycle effect	
RESET TIMES	Before Time Out	100 mSEC
	After Time Out	50 mSEC
RECYCLE TIME	40 mSEC	
SUPPLY VOLTAGE	24 to 240 ±10% VAC, 50/60 Hz	
FALSE TRANSFER	No	
ENCLOSURE	Surface mounted; totally encapsulated with a high quality epoxy for environmental protection.	
TEMPERATURE RATING	Operate	32° to 131°F (0° to +55°C)
	Storage	-49° to 185°F (-45° to +85°C)
TERMINATIONS	1/4" quick disconnect terminals	
WEIGHT	NET: 1.28 oz Shipping: 1.6 oz.	

DIMENSIONS (INCHES)



MODEL NUMBER

MODEL NUMBER	TSA	100	A		C	
TYPE OF OPERATION						
Fixed (Factory Preset)						F
External Resistor Adjustable; See page 73 for resistor selection.						R
Screwdriver Adjustable						S
DELAY PERIOD						
See page 73 for standard ranges available						

Example: TSA-100-ARC-100—Interval on operate, 24 to 240 VAC, external resistor adjustable from 1 to 100 seconds.