

Specifications: **301/311/300/310 Series**

Features:

- Economical wire protector products
- 2 and 3 position modular
- Machined type inserts
- 301/310 series are low profile blocks
- 300/310 series have test holes and higher profile
- 300 and 301 are vertical mount blocks
- 310 and 311 are right angle blocks
- Wire protector system
- Black and blue colors available

Electrical

Current:	10A @ 250V
Wire Range:	14-16 AWG
Pin Dimension:	1mm
CR:	<20m
IR:	>5000M (1000V DC)
Operating temp:	-55°C - +105°C
Stripping Length:	6mm
Torque:	4.5 lb-in
PCB Holes:	min 1.6mm
PCB Thickness:	max 2.3mm

Materials

Housing:	PBT-4115 (UL 94V-0)
Metal Housing:	Brass (Cu, Zn), Cu, Tin plated
Wire Guard:	Stainless steel
Terminal:	Brass (Cu, Zn), Tin plated
Screw:	M2.6, steel, chromated and galvanized
Colors Available:	Black, blue

Marking

Adhesive marking strips not available

Ink marking by factory (specify in order number)

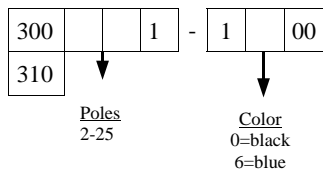
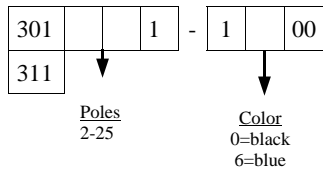
0=no marking

1=numbered 1 2 3 4 etc. left to right

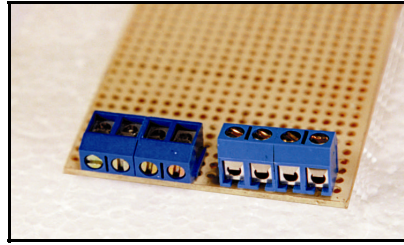
Minimums apply for marking

Contact factory for additional information

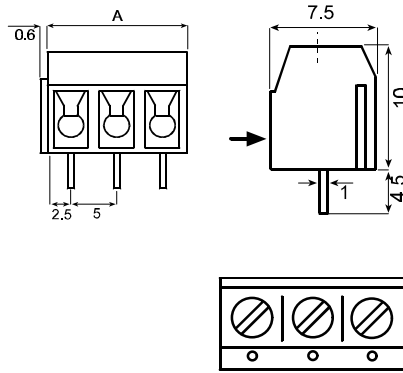
Ordering Information



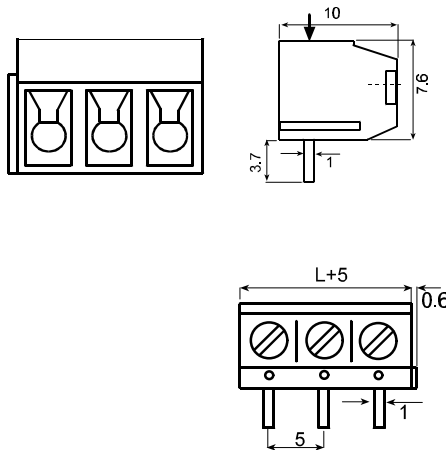
10A 250V 5 mm



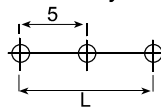
301 Series (vertical)



301 Series (vertical)



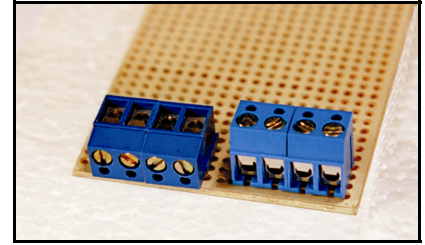
PCB Layout



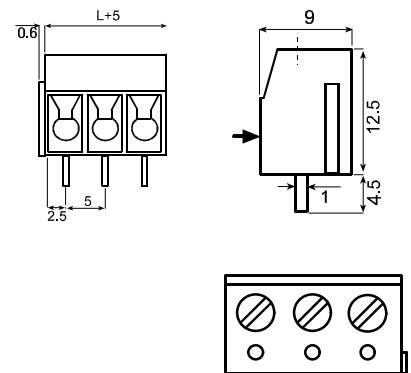
Dimensions

n = number of poles
L=(n-1) x 5.00

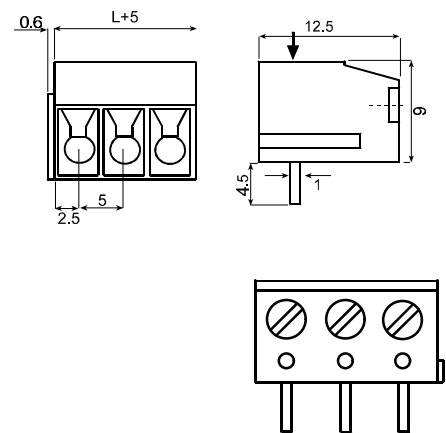
10A 250V 5 mm



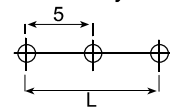
300 Series (vertical)



310 Series (vertical)



PCB Layout



Dimensions

n = number of poles
L=(n-1) x 5.00