

Specifications **PA Series**

Features:

- *Wire guard standard on all series
- *Natural white color
- *Captive screws

PA8DS

Current: 20A @ 600V
 Wire range: 12 to 22 AWG
 Wire section(mm²): 1.5 mm²
 Centerline spacing: 8 mm
 Wire hole size: ϕ 2.7 mm
 Mounting holes: ϕ 2.9 mm
 Dimension A=95.8mm
 Dimension B=16.3mm

PA10DS

Current: 30A @ 600V
 Wire range: 10 to 22 AWG
 Wire section(mm²): 2.5 mm²
 Centerline spacing: 10 mm
 Wire hole size: ϕ 3.2 mm
 Mounting holes: ϕ 3.6 mm
 Dimension A=117.2mm
 Dimension B=20.1mm

PA12DS

Current: 35A @ 600V
 Wire range: 10 to 22 AWG
 Wire section(mm²): 6 mm²
 Centerline spacing: 12 mm
 Wire hole size: ϕ 3.9 mm
 Mounting holes: ϕ 3.8 mm
 Dimension A=140.5mm
 Dimension B=23.8mm

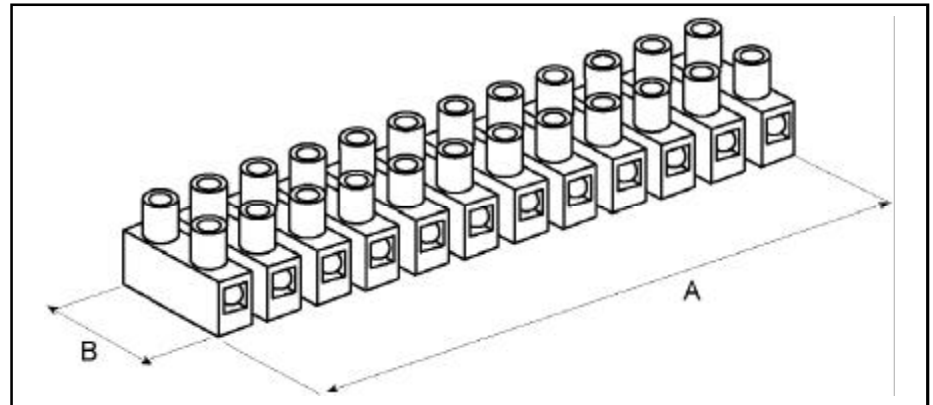
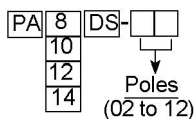
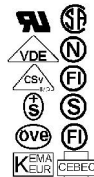
PA14DS

Current: 50A @ 600V
 Wire range: 8 to 20 AWG
 Wire section(mm²): 10 mm²
 Centerline spacing: 14 mm
 Wire hole size: ϕ 4.8 mm
 Mounting holes: ϕ 4.3 mm
 Dimension A=158mm
 Dimension B=25.6mm

Materials (All Series)

Housing: Polyamide 6,6 (UL94V-2)
 Terminal: Zinc alloy, Tin plated
 Screw: Steel, yellow chromated
 Positions available: 2 to 12
 Temperature range: -35°C to +105°C

Ordering Information

**PA8**

Style	Front	Bottom
8 8mm centers		
10 10mm centers		
12 12mm centers		
14 14mm centers		

PA10**PA12****PA14**