



RoHS Compliant

17.8 x 9.6 (17.0) x 13.2 mm

## Features

- Switching capacity up to 20A
- Small size and light weight
- Dual relay available
- Low coil power consumption
- Suitable for automobile and consumer electronics applications

## Contact Data

Contact Arrangement	1A = SPST N.O. 1C = SPDT 2A = (2) SPST N.O. 2C = (2) SPDT	Contact Resistance	< 50 milliohms initial
Contact Rating	20A @ 14VDC N.O. 15A @ 14VDC N.C.	Contact Material	AgSnO <sub>2</sub>
		Maximum Switching Power	280W
		Maximum Switching Voltage	40VDC
		Maximum Switching Current	20A

## Coil Data

Coil Voltage VDC		Coil Resistance Ω +/- 10%		Pick Up Voltage VDC (max)	Release Voltage VDC (min)	Coil Power W	Operate Time ms	Release Time ms
Rated	Max	.6W	.8W	70% of rated voltage	10% of rated voltage			
12	18	240	180	8.40	1.2	.60 or .80	8	5

## General Data

Electrical Life @ rated load	100K cycles, typical
Mechanical Life	10M cycles, typical
Insulation Resistance	100M Ω min. @ 500VDC
Dielectric Strength, Coil to Contact Contact to Contact	500V rms min. @ sea level 500V rms min. @ sea level
Shock Resistance	300m/s <sup>2</sup> for 11 ms
Vibration Resistance	1.50mm double amplitude 10~40Hz
Terminal (Copper Alloy) Strength	5N
Operating Temperature	-40°C to +85°C
Storage Temperature	-40°C to +155°C
Solderability	260°C for 5 s
Weight	5g, 10g

### Caution

1. The use of any coil voltage less than the rated coil voltage may compromise the operation of the relay.

Specifications and availability subject to change without notice.

Dimensions shown in mm. Dimensions are shown for reference purposes only.

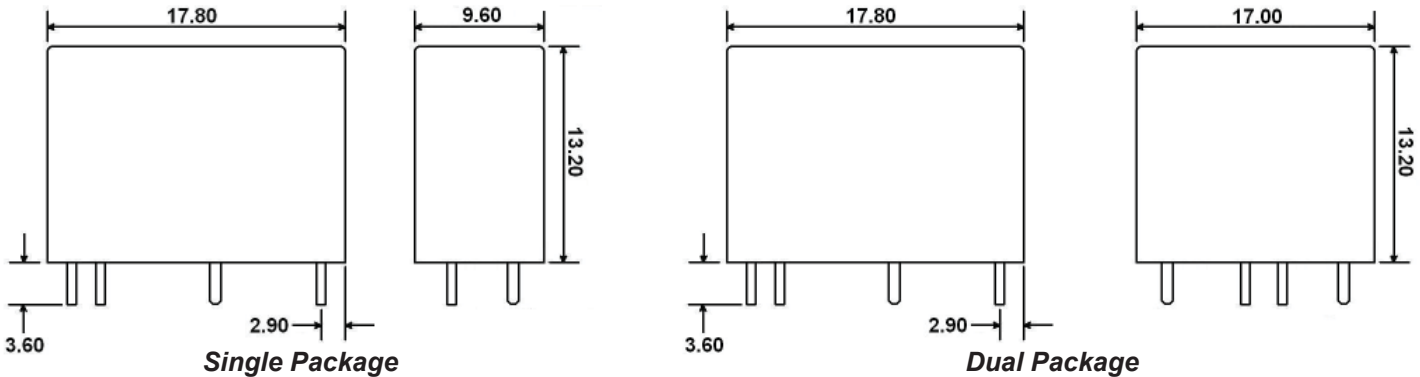
# A11

## Ordering Information

1. Series	A11	2C	S	12VDC	.80
2. Contact Arrangement	1A = SPST N.O. 1C = SPDT 2A = (2) SPST N.O. 2C = (2) SPDT				
3. Sealing Option	S = Sealed C = Dust Cover				
4. Coil Voltage	12VDC				
5. Coil Power	.60 = .60W .80 = .80W				

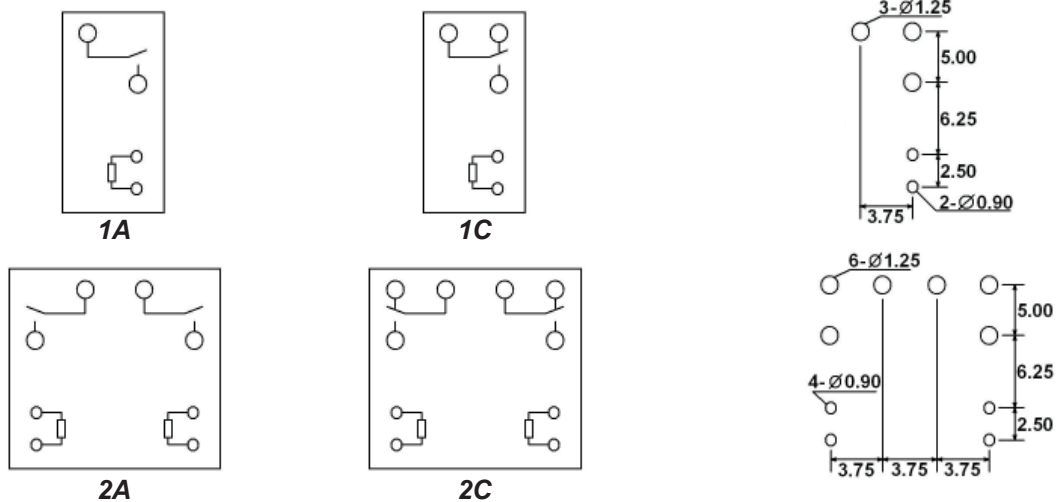
## Dimensions

Units = mm



## Schematics & PC Layouts

Bottom Views



Dimensions shown in mm. Dimensions are shown for reference purposes only.

Specifications and availability subject to change without notice.