



## Features

- Switching capacity up to 40A
- Small size and light weight
- Suitable for automobile and lamp accessories
- QS-9000, ISO-9002 Certified Manufacturing



## Contact Data\*

Contact Arrangement	1A = SPST N.O. 1C = SPDT
Contact Rating	40A @ 14VDC, Normally Open 25A @ 14VDC, Normally Closed

Contact Resistance	< 50 milliohms initial
Contact Material	AgSnO <sub>2</sub>
Maximum Switching Power	560W
Maximum Switching Voltage	28VDC
Maximum Switching Current	40A

## Coil Data\*

Coil Voltage VDC		Coil Resistance Ω +/- 10%	Pick Up Voltage VDC (max) 65% of rated voltage	Release Voltage VDC (min) 10% of rated voltage	Coil Power W	Operate Time ms	Release Time ms
Rated	Max						
12	15.6	96	7.2	1.2	1.5	10	10
24	31.2	320	14.4	2.4	1.8		

## General Data\*

Electrical Life @ rated load	100K cycles, average
Mechanical Life	10M cycles, average
Insulation Resistance	100M Ω min. @ 500VDC initial
Dielectric Strength, Coil to Contact	500V rms min. @ sea level initial
Contact to Contact	500V rms min. @ sea level initial
Shock Resistance	Functional: 100m/s <sup>2</sup> for 11 ms Destructive: 1000m/s <sup>2</sup> for 11 ms
Vibration Resistance	1.5mm double amplitude 10~55Hz
Operating Temperature	-40°C to +85°C
Storage Temperature	-40°C to +155°C
Solderability	260°C for 5 s
Weight	18g

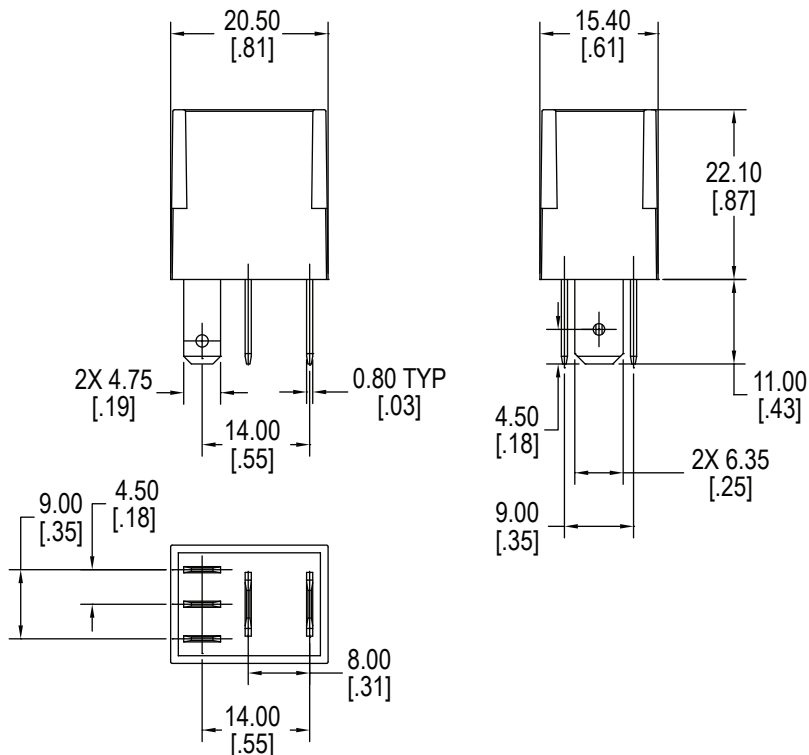
\* Values can change due to the switching frequency, desired reliability levels, environmental conditions and in-rush load levels. It is recommended to test actual load conditions for the application. It is the user's responsibility to determine the performance suitability for their specific application. The use of any coil voltage less than the rated coil voltage may compromise the operation of the relay.

## Ordering Information

1. Series	A1M	1A	C	Q	12VDC
A1M					
2. Contact Arrangement	1A = SPST N.O. 1C = SPDT				
3. Sealing Option	S = Sealed C = Dust Cover				
4. Termination	Q = Quick Connect				
5. Coil Voltage	12VDC 24VDC				
6. Coil Suppression	Blank = Standard D = Diode (1N4005) R = Resistor (680 ohms for 12VDC, 2700 ohms for 24VDC) ** Consult factory if other values are needed				

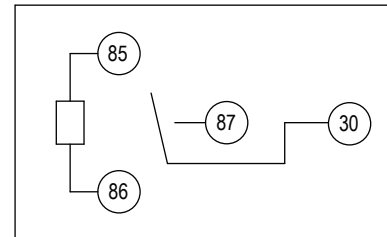
## Dimensions

Units = mm

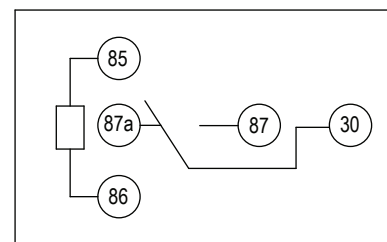


## Schematics & PC Layouts

Bottom Views



1A



1C