



Illuminated Pushbutton - 19mm

Specifications

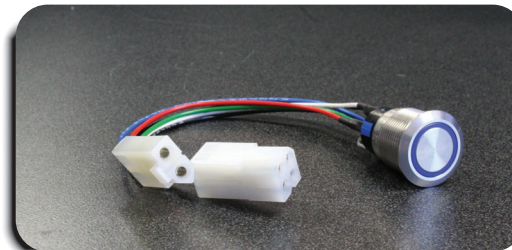
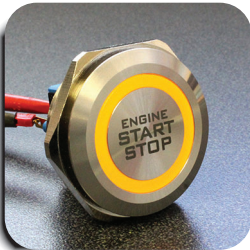
Electrical Ratings	1A @ 24VDC 3A @ 125VAC / 250VAC	Dielectric Strength	2000Vrms min contact to contact 2000Vrms min contact to LED
Sealing Degree	IP67	Insulation Resistance	≥ 100MΩ min
Electrical Life	50,000 cycles typical	Operating Temperature	-40°C to 85°C
Contact Resistance	≤ 50mΩ initial	Storage Temperature	-40°C to 85°C
Actuation Force	250 ± 50gF		
Actuation Travel	2.5 ± 0.3mm		

Materials

Actuator	Stainless Steel or Anodized Aluminum
LED Lens	Polycarbonate (PC)
Threaded Body	Stainless Steel or Anodized Aluminum
Terminal Support	Polybutylene Terephthalate (PBT)
Inner Switch Body	Polycarbonate (PC)
Contacts	Silver Alloy
Terminals	Tin Plated Brass
Hardware	One Hex Nut & One "O" Ring Supplied

Contact Factory for

- Cable Assembly
- Shine Through Symbols
- Plastic Convex Actuator
- Laser Etching



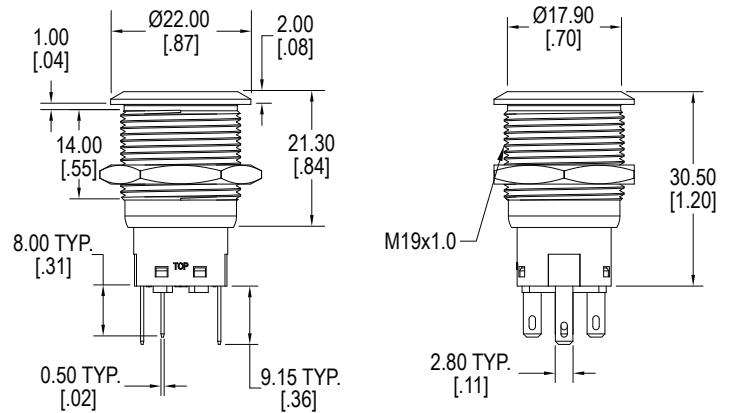
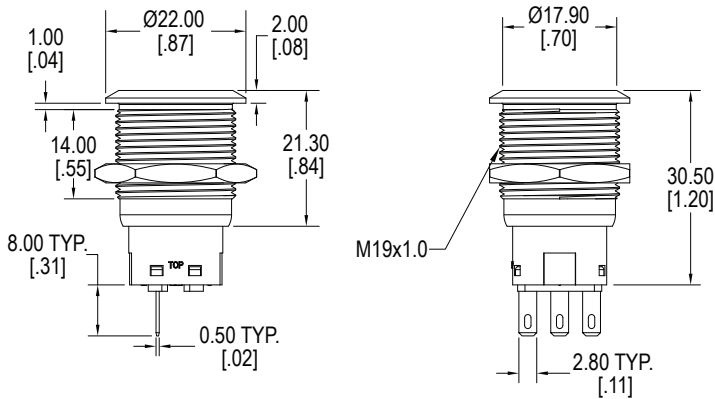
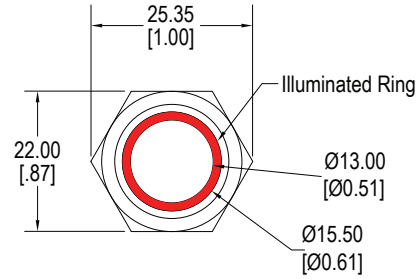
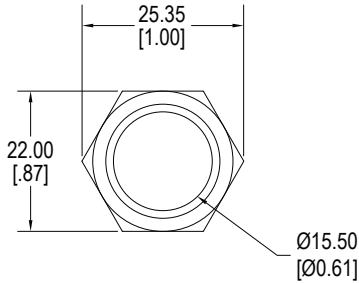
Illuminated Pushbutton - 19mm

Ordering Information

1. Series	AHB	1	N	B	S	R	12
AHB							
2. Number of Poles 1 = SPDT 2 = DPDT							
3. Bezel Style Blank = Standard Bezel H = Straight Bezel							
4. Latching Option N = Momentary L = Latching							
5. Actuator Style A = Flush actuator, non-illuminated B = Flush actuator, ring illuminated C = Flush actuator, dot illuminated G = Flush actuator, international standby symbol + ring illuminated K = Flush actuator, international standby symbol illuminated EC = Epoxy Convex actuator, contact factory for details							
6. Switch Finish B = Black anodized aluminum G = Green anodized aluminum R = Red anodized aluminum S = Brushed stainless steel U = Blue anodized aluminum Y = Yellow anodized aluminum							
7. LED Color Z = No LED R = Red Y = Yellow G = Green B = Blue W = White O = Orange	RO = Red / Orange dual LED RY = Red / Yellow dual LED RG = Red / Green dual LED RB = Red / Blue dual LED OY = Orange / Yellow dual LED OG = Orange / Green dual LED OB = Orange / Blue dual LED YG = Yellow / Green dual LED YB = Yellow / Blue dual LED GB = Green / Blue dual LED			RGB, only available with SPDT * Contact Factory for other LED options			
8. LED Voltage Blank = No LED 6 = 6VDC 12 = 12VDC 24 = 24VDC 110 = 110VAC 220 = 220VAC N = No internal resistor in series with the LED							

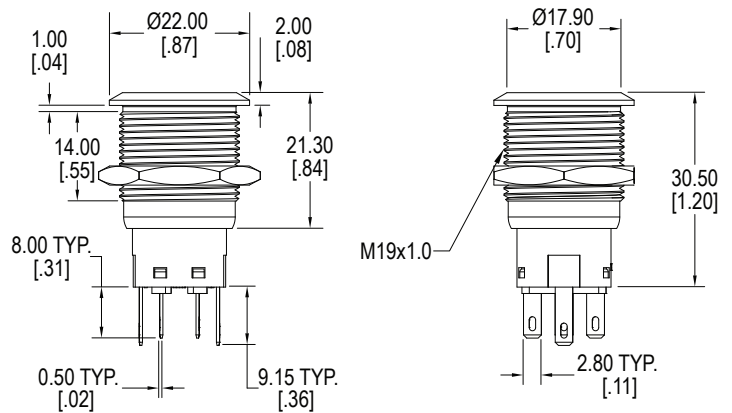
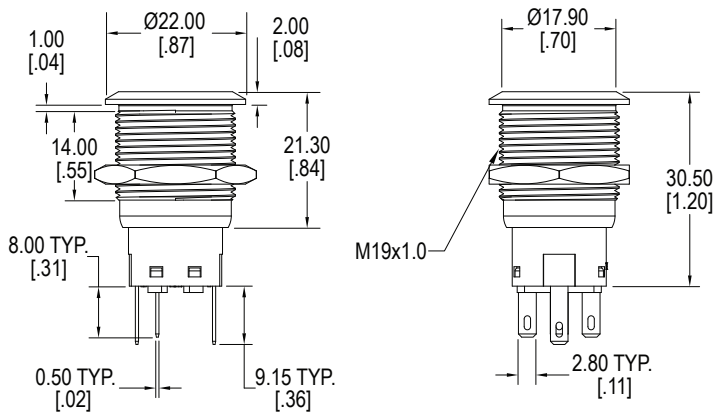
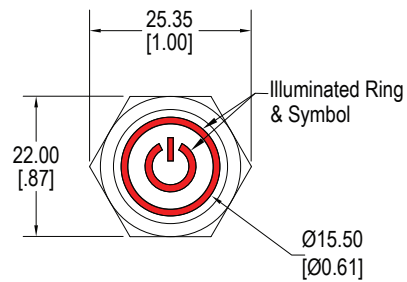
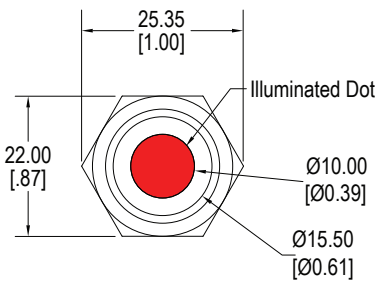
OPTIONAL Socket Housing available

Dimensions



A Actuator

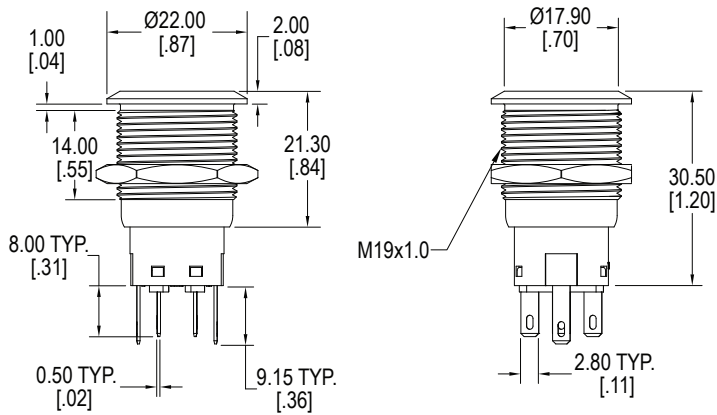
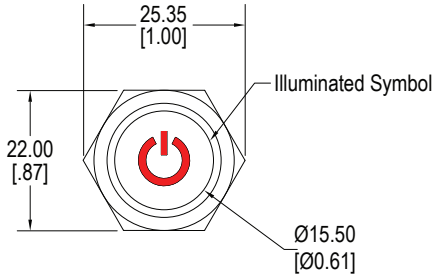
B Actuator



C Actuator

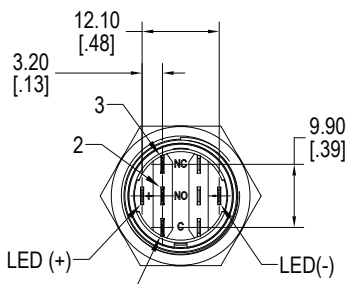
G Actuator

Dimensions

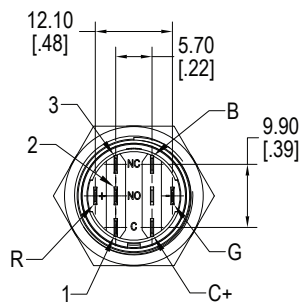


K Actuator

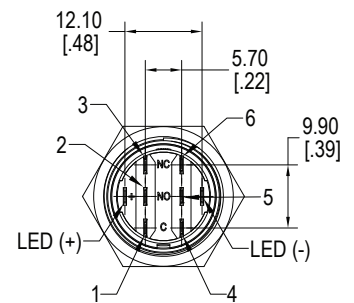
Bottom Views



SPDT

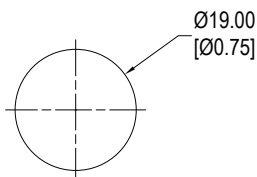


SPDT RGB LED

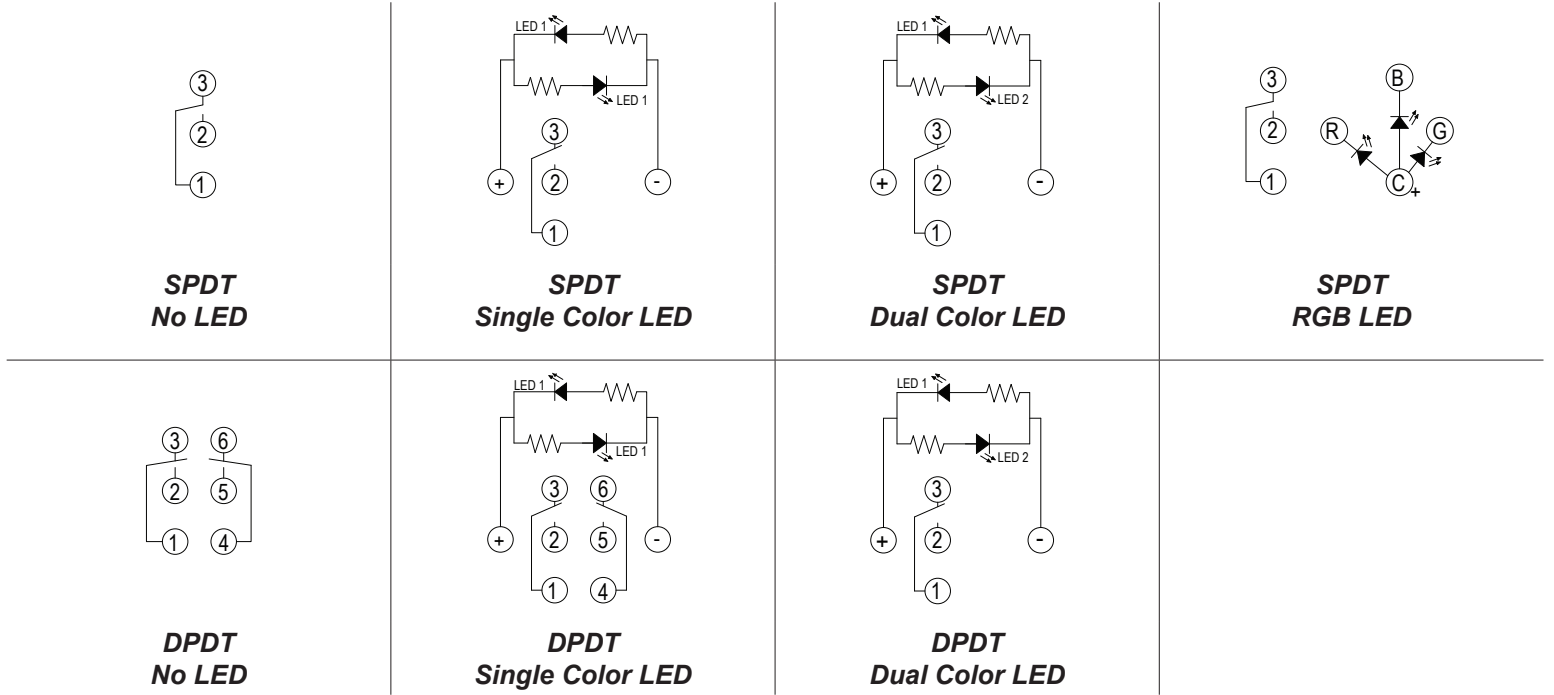


DPDT

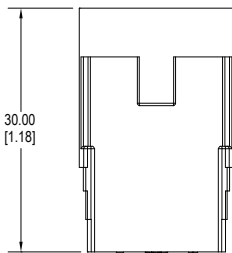
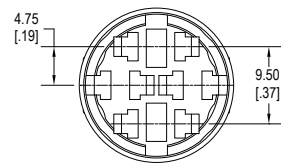
Panel Cut-Out



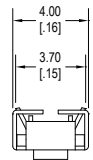
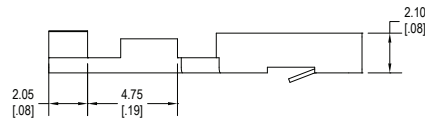
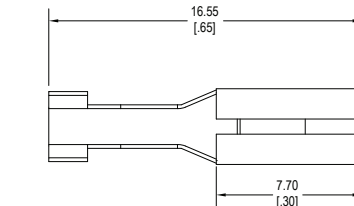
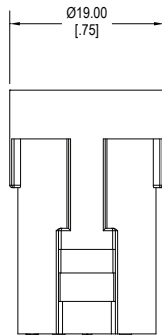
Schematics



Optional Socket Housing



SS2002



SS Terminal
for use with wire size 18AWG to 24AWG

LED Characteristics

LED Ratings		Color						Units
		R	Y	G	B	O	W	
Reverse Voltage	V_R	5	5	5	5	5	5	V
Forward Current (avg)	I_F	25	25	30	30	25	30	mA
Forward Current (peak)	I_{FS}	120	120	160	160	120	160	mA
Reverse Current $V_R = 5V$	I_R	10	10	10	10	10	10	μA
Power Dissipation	P_T	80	80	120	120	80	120	mW
Operating & Storage Temperature	T_A	-40 ~ +85						C°
Forward Voltage (typ) $I_F = 20mA$	V_F	2.1	2.1	3.3	3.3	2.0	3.0	V
Forward Voltage (max) $I_F = 20mA$	V_F	2.4	2.5	3.6	3.6	2.3	3.6	V
Wavelength at Peak Emmission $I_F = 20mA$	λ_P	635	592	516	463	606	n/a	nm
Spectral Line Half-Width $I_F = 20mA$	$\Delta\lambda$	14	12	28	20	12	n/a	nm
Luminous Intensity, $I_F = 20mA$	LI	120	120	170	100	120	700	mcd
Viewing Angle	Θ	145	145	145	145	145	145	deg