

Process Sealed Miniature Rocker

Specifications

| | | | |
|--------------------|--|-----------------------|---------------|
| Electrical Ratings | 5A @ 120VAC, 28VDC 2A @ 250VAC See Contact Options | Dielectric Strength | 1500Vrms min |
| Electrical Life | 30,000 cycles typical | Insulation Resistance | >100MΩ min |
| Contact Resistance | <20mΩ initial @ 2-4VDC, 100mA | Operating Temperature | -40°C to 85°C |
| | | Storage Temperature | -40°C to 85°C |
| | | Sealing Degree | IP67 |

Materials

| | |
|-----------------|---|
| Actuator | 6/6 Nylon, Glass Filled, Flame Retardant Heat Stabilized, UL94V-0 |
| Housing | 6/6 Nylon, Glass Filled, Flame Retardant Heat Stabilized, UL94V-0 |
| Support Bracket | Brass, Tin Plated |
| Contacts | Copper Alloy, Silver Plated or Gold Plated |
| Terminals | Copper Alloy, Silver Plated or Gold Plated |

Ordering Information

| | | | | | | | | | |
|--|-----|---|---|-----|---|--|--|---|---|
| 1. Series | ASR | 1 | 3 | R11 | 2 | | | C | Q |
| ASR | | | | | | | | | |
| 2. Number of Poles | | | | | | | | | |
| 1 = SPDT | | | | | | | | | |
| 2 = DPDT | | | | | | | | | |
| 3 = 3PDT <i>Available Switch Function 1 only</i> | | | | | | | | | |
| 3. Switch Function | | | | | | | | | |
| 1 = ON-NONE-ON | | | | | | | | | |
| 2 = ON-NONE-(ON) <i>Not available in 3PDT</i> | | | | | | | | | |
| 3 = ON-OFF-ON <i>Not available in 3PDT</i> | | | | | | | | | |
| 4 = (ON)-OFF-(ON) <i>Not available in 3PDT</i> | | | | | | | | | |
| 5 = ON-OFF-(ON) <i>Not available in 3PDT</i> | | | | | | | | | |
| 6 = ON-ON-ON** <i>Not available in 3PDT</i> | | | | | | | | | |
| 4. Actuator | | | | | | | | | |
| R11P / R11 = Rocker, PC mount / Panel mount | | | | | | | | | |
| R21P / R21 = Rocker, PC mount / Panel mount | | | | | | | | | |
| P13P / P13 = Paddle, PC mount / Panel mount | | | | | | | | | |
| P23P / P23 = Paddle, PC mount / Panel mount | | | | | | | | | |
| R15P = Rocker, PC mount | | | | | | | | | |
| R43P = Rocker, PC mount | | | | | | | | | |
| R47P = Rocker, PC mount | | | | | | | | | |
| R48P = Rocker, PC mount | | | | | | | | | |
| 5. Actuator Color | | | | | | | | | |
| 1 = White | | | | | | | | | |
| 2 = Black | | | | | | | | | |
| 3 = Red | | | | | | | | | |
| 4 = Orange | | | | | | | | | |
| 5 = Yellow | | | | | | | | | |
| 6 = Green | | | | | | | | | |
| 7 = Blue | | | | | | | | | |
| 8 = Brown | | | | | | | | | |
| 9 = Gray | | | | | | | | | |
| 6. Actuator Marking Style | | | | | | | | | |
| Blank = No Marking | | | | | | | | | |
| A, B, C, D, E, F, G | | | | | | | | | |
| 7. Actuator Marking Color | | | | | | | | | |
| Blank = No marking | | | | | | | | | |
| W = White, standard | | | | | | | | | |
| B = Black | | | | | | | | | |
| 8. Terminals | | | | | | | | | |
| B = Solder Lugs | | | | | | | | | |
| C = PC pin | | | | | | | | | |
| D = Quick Connect | | | | | | | | | |
| H = Horizontal mount, right angle PC pin | | | | | | | | | |
| HS = Horizontal mount, right angle Snap-in | | | | | | | | | |
| V = Vertical mount, right angle PC pin | | | | | | | | | |
| S20 = PC pin with support bracket | | | | | | | | | |
| S25 = PC pin with support bracket | | | | | | | | | |
| V20 = Snap-in support bracket | | | | | | | | | |
| V25 = Snap-in support bracket | | | | | | | | | |
| 9. Contacts | | | | | | | | | |
| Q = Silver plated | | | | | | | | | |
| R = Gold plated | | | | | | | | | |
| G = Gold over Silver plated | | | | | | | | | |

**See Three Way Wiring Section for details

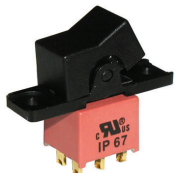
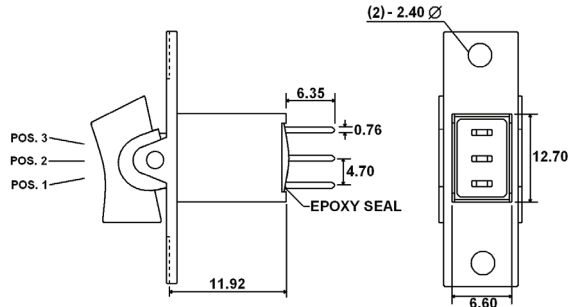
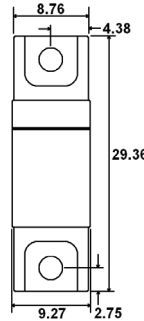
Switch Function



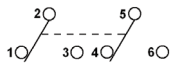
SPDT



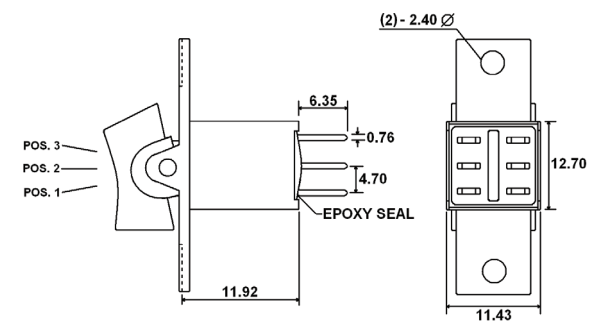
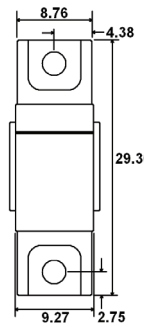
| Function | Rocker Position | | |
|-----------|-----------------|------|------|
| | | | |
| 1 | ON | NONE | ON |
| 2 | ON | NONE | (ON) |
| 3 | ON | OFF | ON |
| 4 | (ON) | OFF | (ON) |
| 5 | ON | OFF | (ON) |
| Terminals | 2-3 | - | 2-1 |



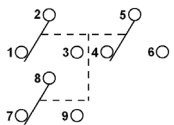
DPDT



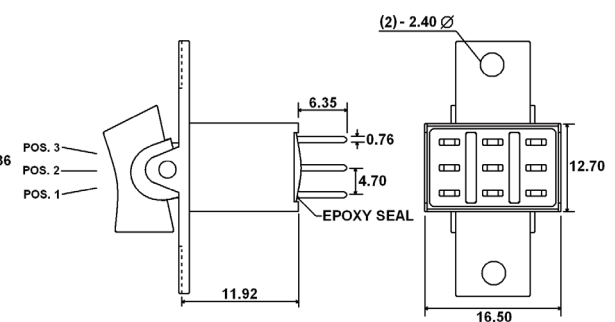
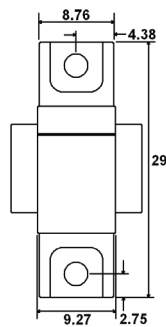
| Function | Rocker Position | | |
|-----------|-----------------|------|------|
| | | | |
| 1 | ON | NONE | ON |
| 2 | ON | NONE | (ON) |
| 3 | ON | OFF | ON |
| 4 | (ON) | OFF | (ON) |
| 5 | ON | OFF | (ON) |
| 6 | ON | ON | ON |
| Terminals | 2-3 | - | 2-1 |
| Terminals | 2-3 | 2-3 | 2-1 |
| | 5-6 | 5-4 | 5-4 |



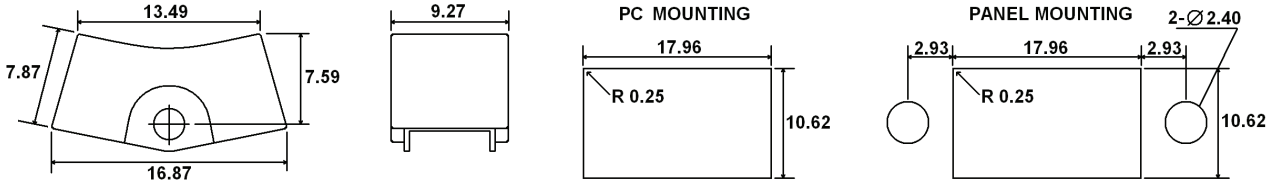
3PDT



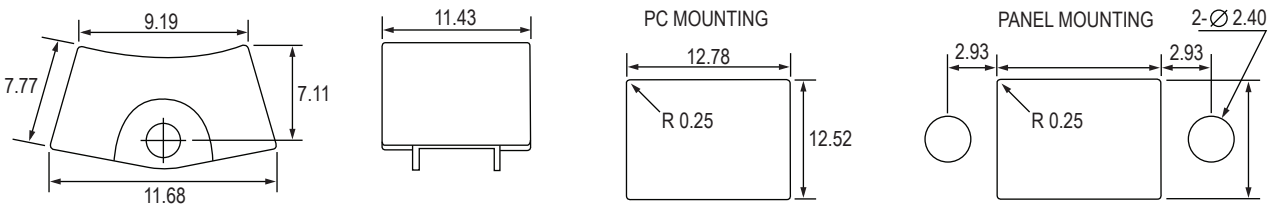
| Function | Rocker Position | | |
|-----------|-----------------|------|------|
| | | | |
| 1 | ON | NONE | ON |
| 2 | ON | NONE | (ON) |
| 3 | ON | OFF | ON |
| 4 | (ON) | OFF | (ON) |
| 5 | ON | OFF | (ON) |
| Terminals | 2-3 | - | 2-1 |
| | 5-6 | | 5-4 |
| | 8-9 | | 8-7 |



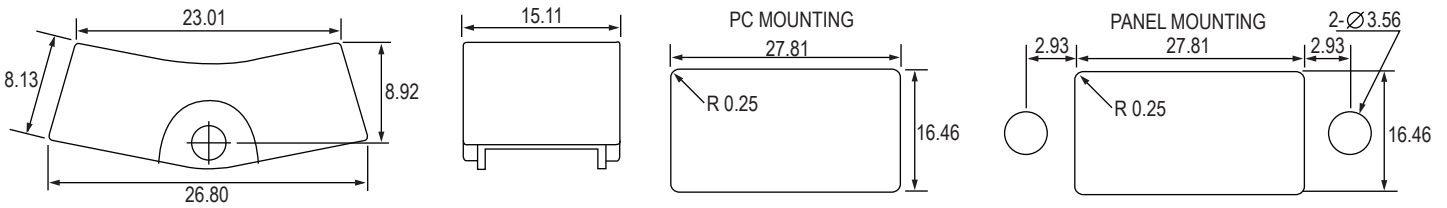
Actuator Options



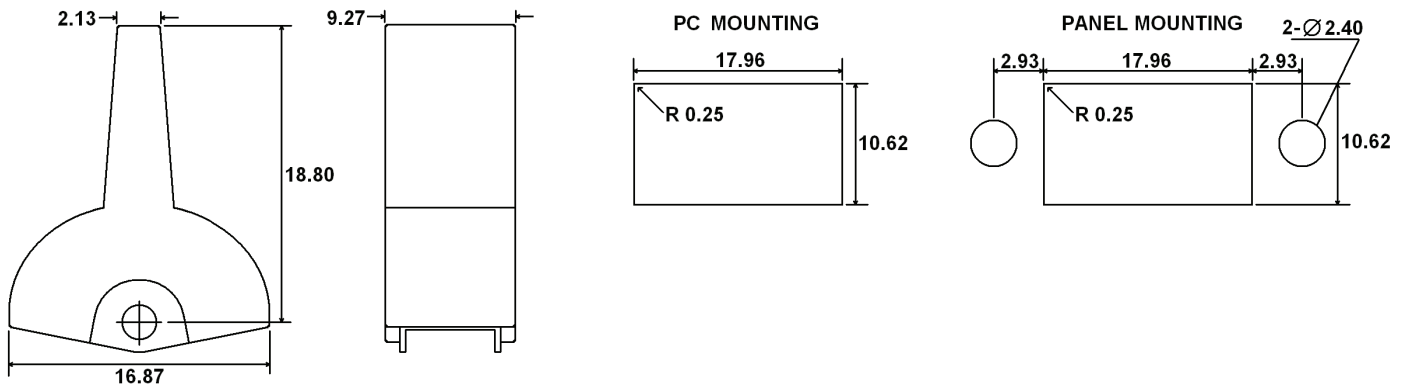
R11P / R11



R21P / R21

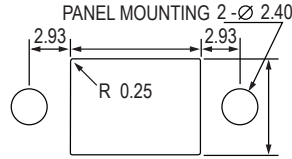
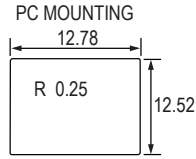
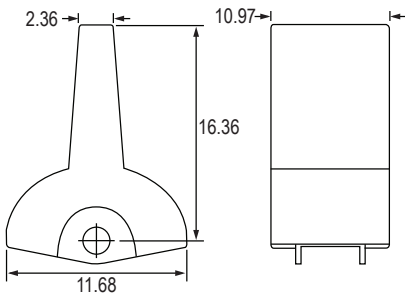


R15P

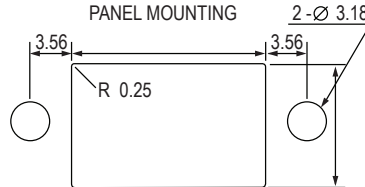
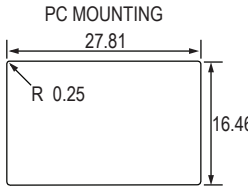
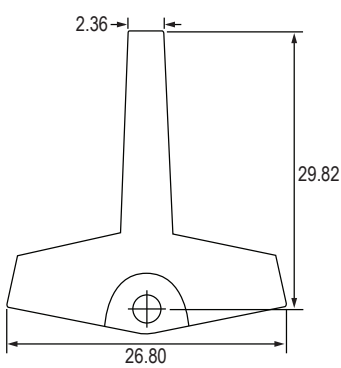


P13P / P13

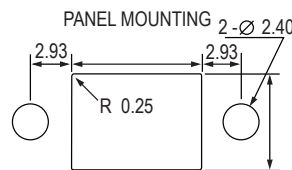
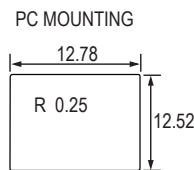
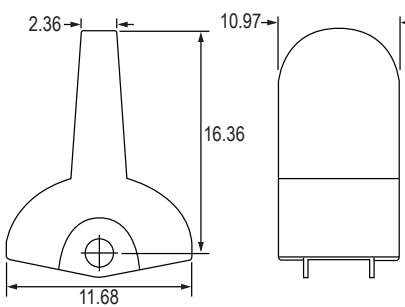
Actuator Options



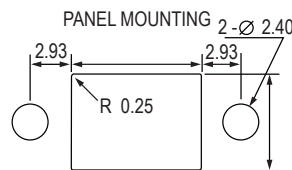
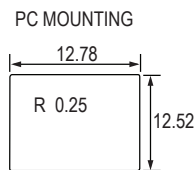
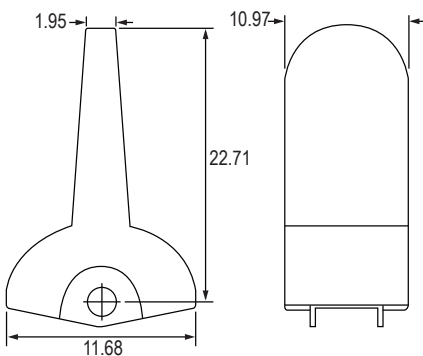
P23P / P23



P43P

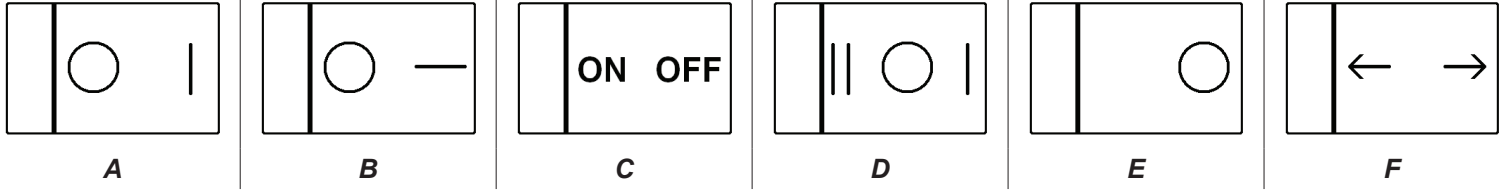


P47P

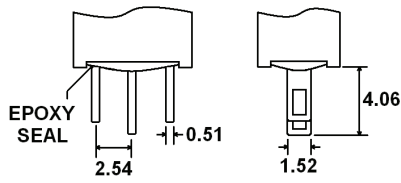


P48P

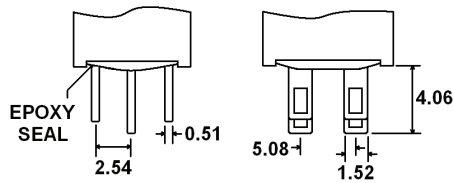
Actuator Markings



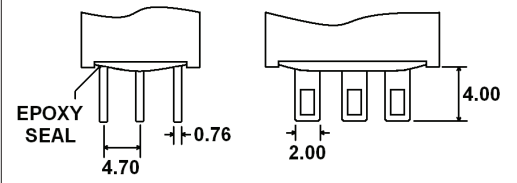
Terminal Options



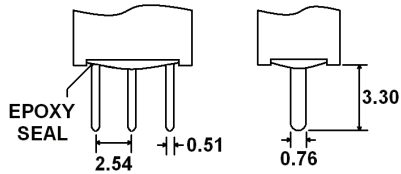
B Single Pole



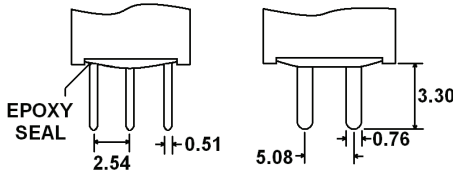
B Double Pole



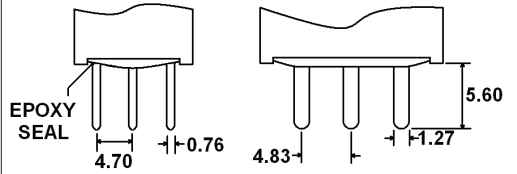
B 3 Pole



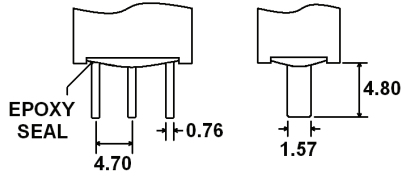
C Single Pole



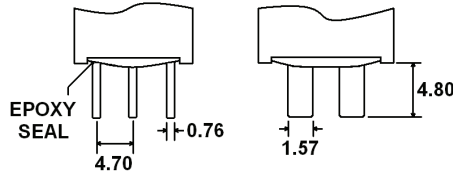
C Double Pole



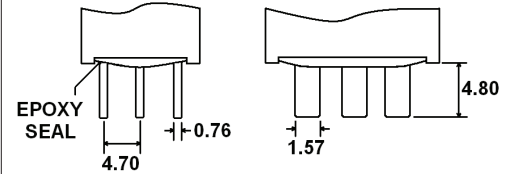
C 3 Pole



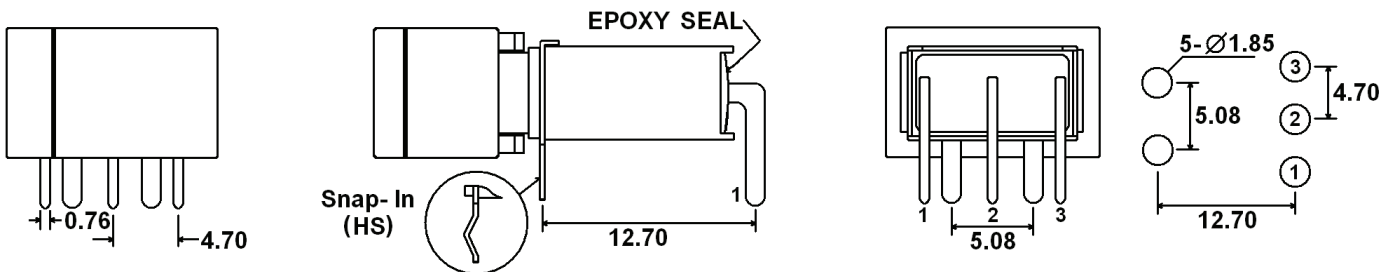
D Single Pole



D Double Pole

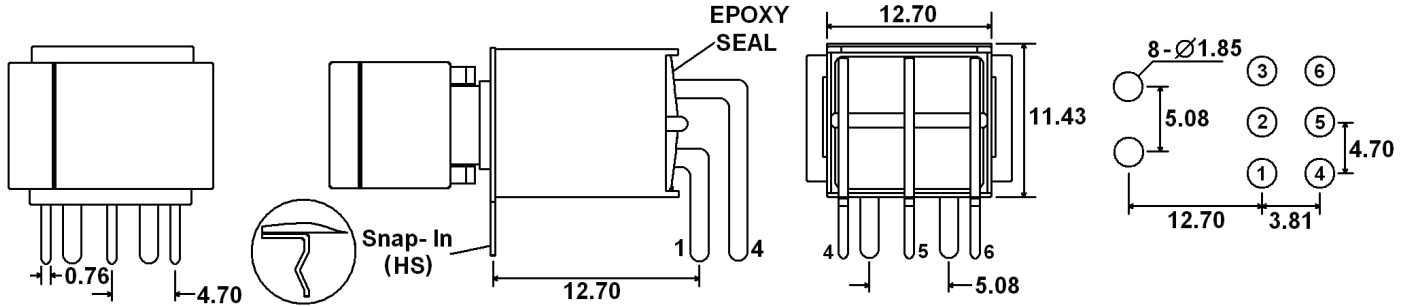


D 3 Pole

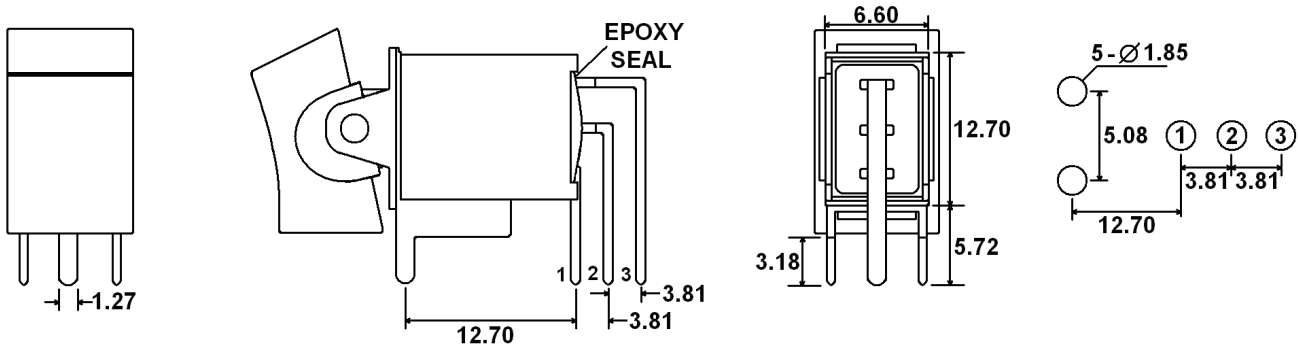


H (HS - Snap-In) = Horizontal mount, right angle PC pins, single pole

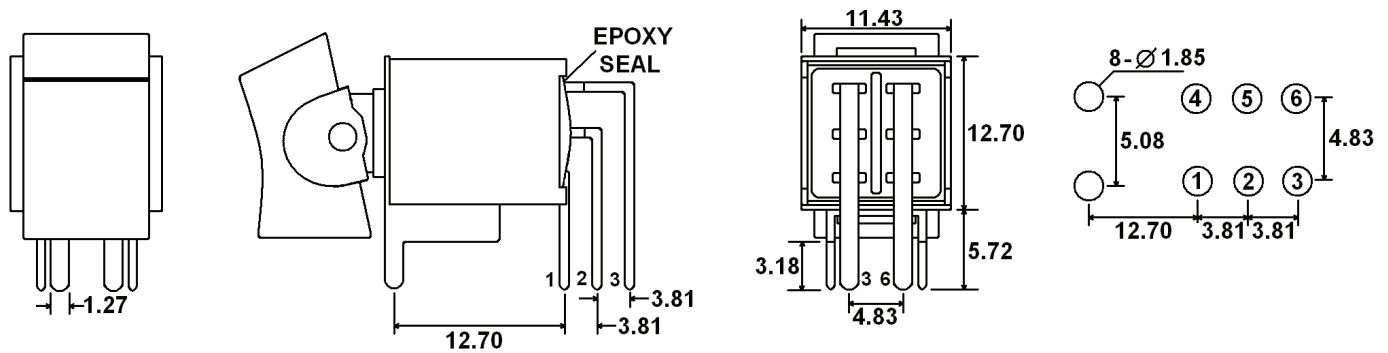
Terminal Options



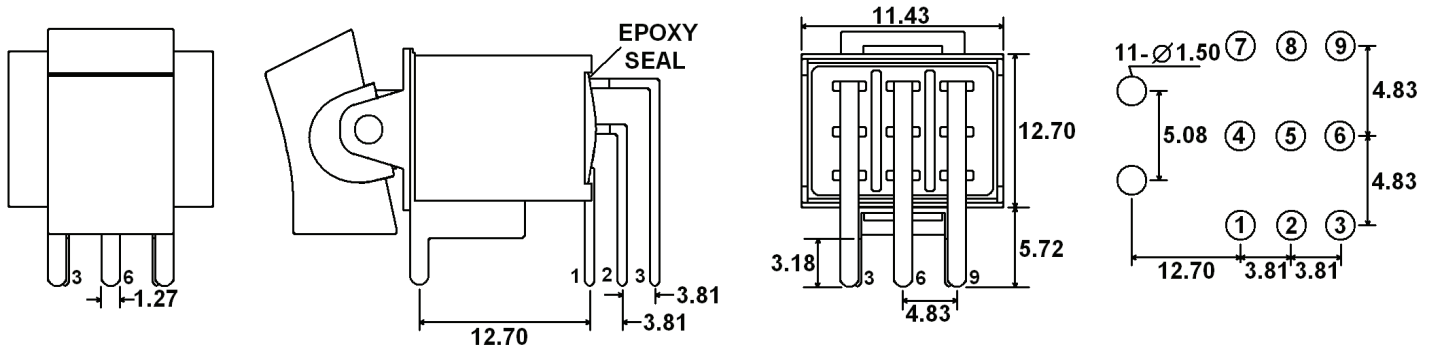
H (HS - Snap In) = Horizontal mount, right angle PC pins, double pole



V = Vertical mount, right angle PC pins, single pole

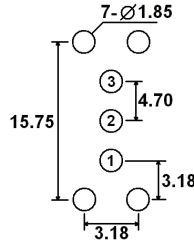
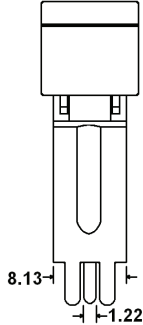
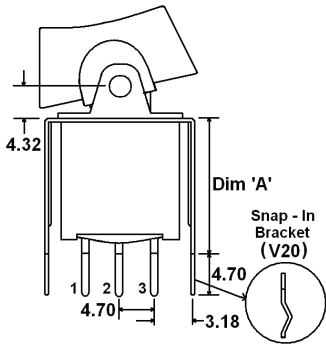


V = Vertical mount, right angle PC pins, double pole



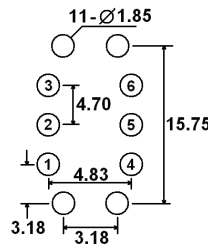
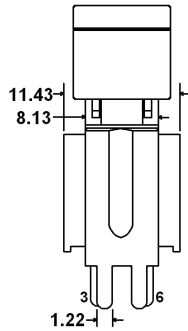
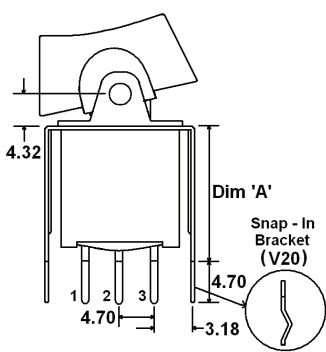
V = Vertical mount, right angle PC pins, three pole

Terminal Options



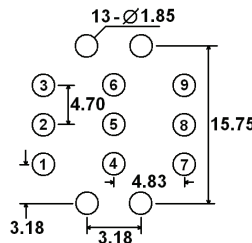
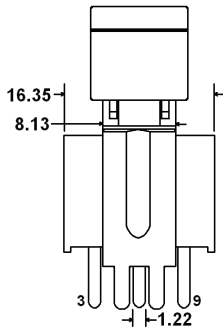
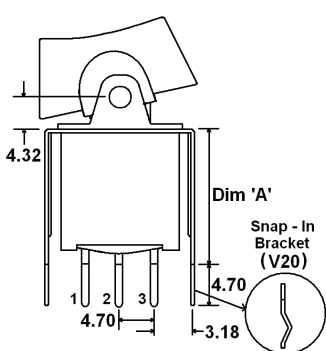
| Terminal Option | "A" Dimension |
|-----------------|---------------|
| S20 / V20 | 11.68 |
| S25 / V25 | 16.00 |

S20 / S25 (V20/V25 - Snap in bracket) = PC pins with support bracket, single pole



| Terminal Option | "A" Dimension |
|-----------------|---------------|
| S20 / V20 | 11.68 |
| S25 / V25 | 16.00 |

S20 / S25 (V20/V25 - Snap in bracket) = PC pins with support bracket, double pole



| Terminal Option | "A" Dimension |
|-----------------|---------------|
| S20 / V20 | 11.68 |
| S25 / V25 | 16.00 |

S20 / S25 (V20/V25 - Snap in bracket) = PC pins with support bracket, three pole