

POS. 1 POS. 2 POS. 3 [02] 2.00 [08] E222871 Process Sealed Sub-Miniature Toggle

Specifications

Electrical Ratings	3A @ 120VAC, 28VDC 1.5A @ 250VAC See Contact Options	Dielectric Resistance	1000Vrms min
Electrical Life	30,000 cycles typical	Insulation Resistance	>1000MΩ min
Contact Resistance	<20mΩ initial @ 2-4VDC, 100mA	Operating Temperature	-40°C to 85°C
		Storage Temperature	-40°C to 85°C
		Sealing Degree	IP67

Materials

Actuator	Brass, Chrome Plated
Housing	4/6 Nylon, Glass Filled, Flame Retardant Heat Stabilized, UL 94V-0
Support Bracket	Brass, Tin Plated
Contacts	Copper Alloy, Silver or Gold Plated
Terminals	Copper Alloy, Silver or Gold Plated

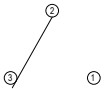
Ordering Information

1. Series	BST	1	3	T2	N	H	Q
BST							
2. Number of Poles 1 = SPDT 2 = DPDT							
3. Switch Function 1 = ON-NONE-ON 2 = ON-NONE-(ON) 3 = ON-OFF-ON 4 = (ON)-OFF-(ON) Only in SPDT models 5 = ON-OFF-(ON) Only in SPDT models							
4. Actuator T1 = 10.16mm, standard T2 = 6.10mm, standard T3 = 8.13mm, standard T4 = 13.97mm, standard P1 = 10.16mm, plastic, anti-static P2 = 6.10mm, plastic, anti-static							
5. Bushing A = 4.65mm, non-threaded, only available in SPDT B = 5.00mm, non-threaded, only available in SPDT N = 4.50mm, non-threaded, only available in DPDT							
6. Terminals C = PC pin H = Horizontal mount, right angle PC pin; HS = Snap-in V = Vertical mount, right angle PC pin; VS = Snap-in A5 = PC pin with support bracket, A5S = Snap-in support bracket							
7. Contacts Q = Silver plated R = Gold plated G = Gold over Silver plated							

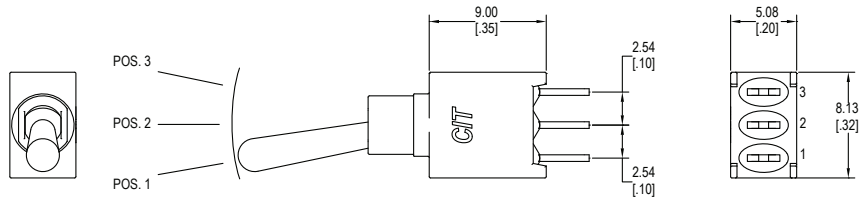
Switch Function



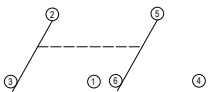
SPDT



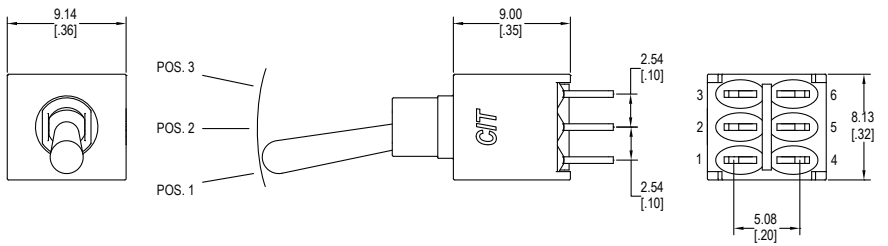
Function	Toggle Position		
1	ON	NONE	ON
2	ON	NONE	(ON)
3	ON	OFF	ON
4	(ON)	OFF	(ON)
5	ON	OFF	(ON)
Terminals	2-3	-	2-1



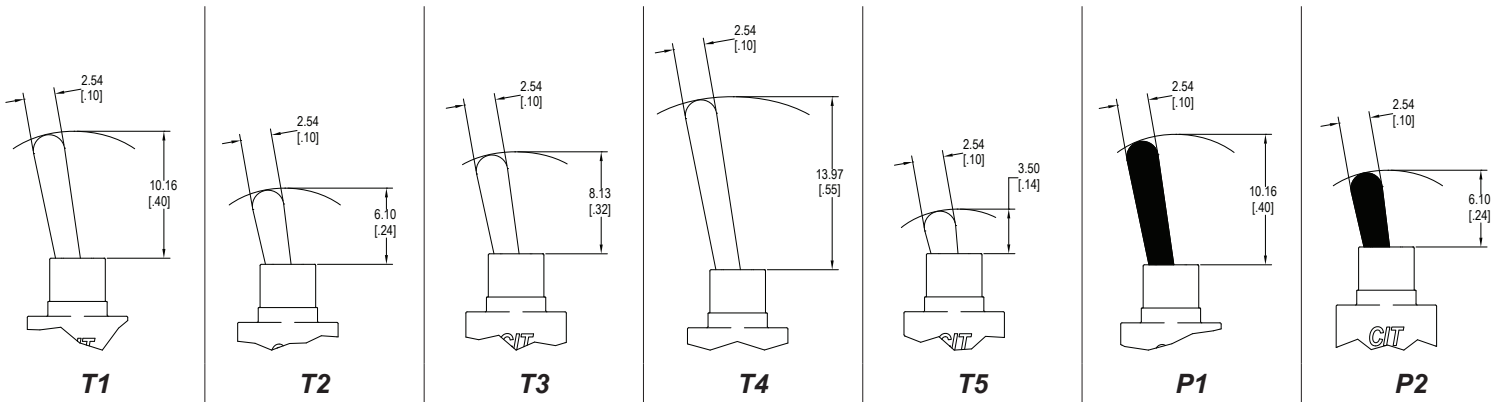
DPDT



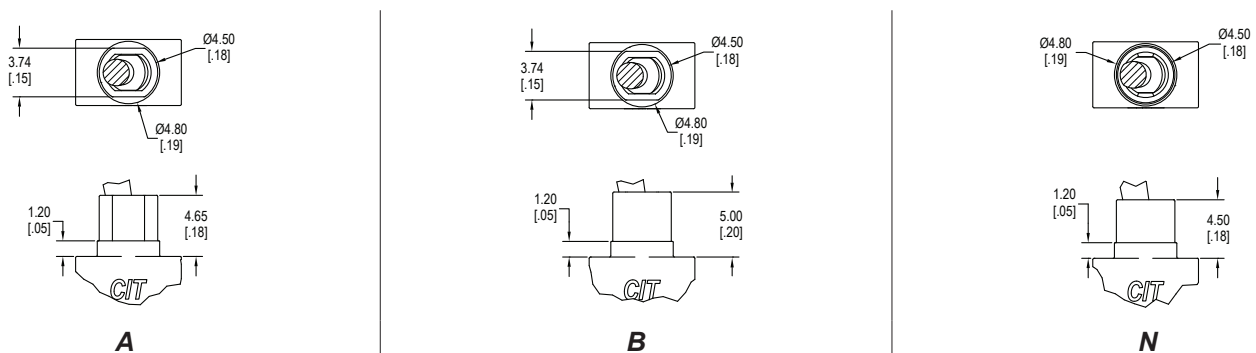
Function	Toggle Position		
1	ON	NONE	ON
2	ON	NONE	(ON)
3	ON	OFF	ON
Terminals	2-3	-	2-1



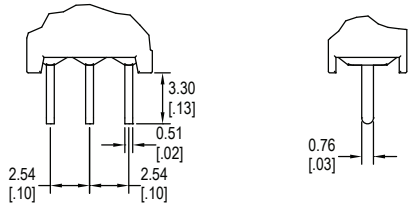
Actuator Options



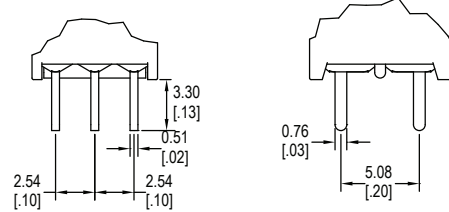
Bushing Options



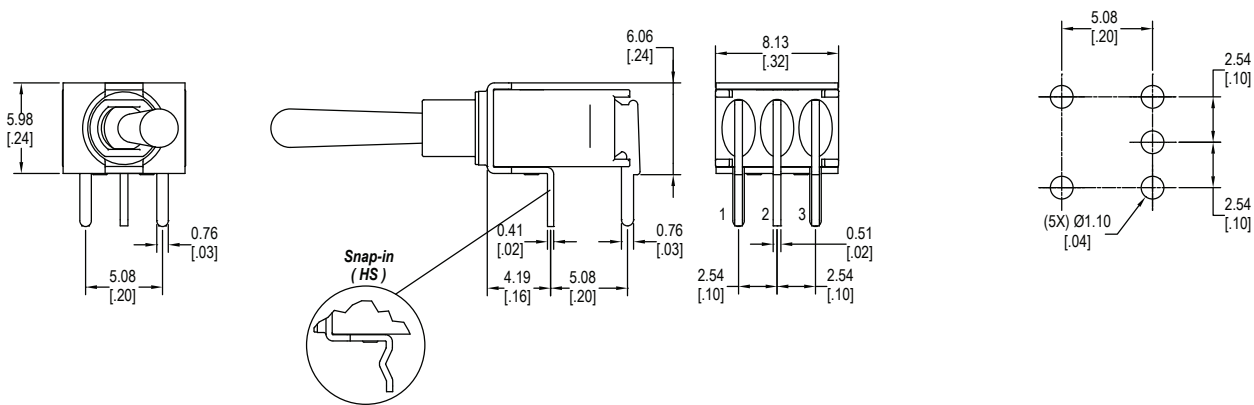
Terminal Options



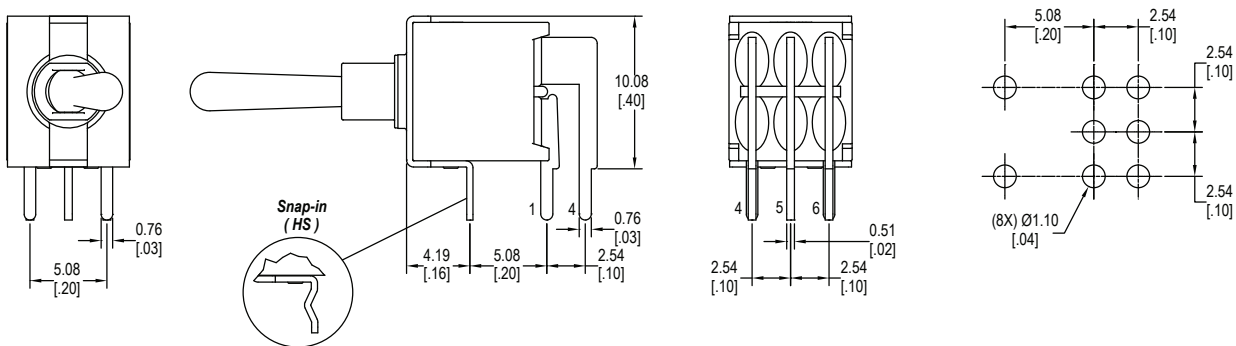
C SPDT



C DPDT

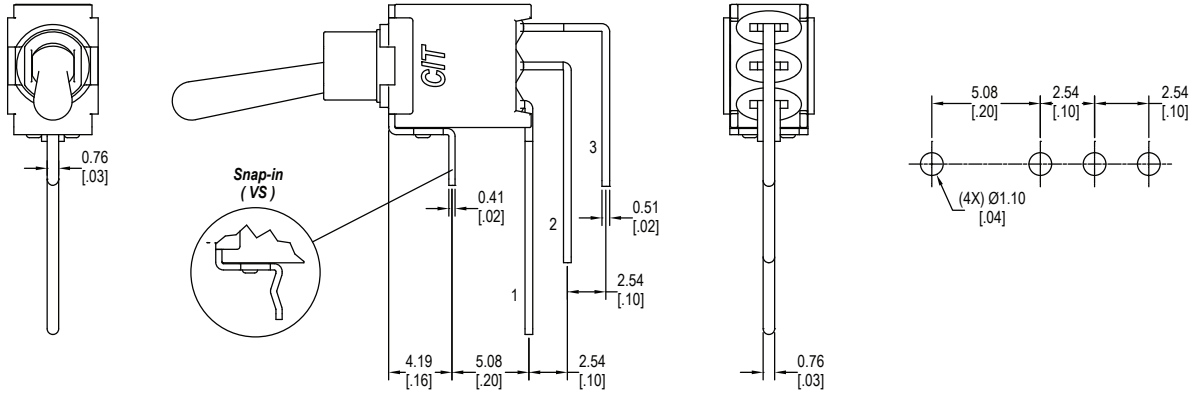


H (HS - Snap In) = Horizontal mount, right angle PC pins, single pole

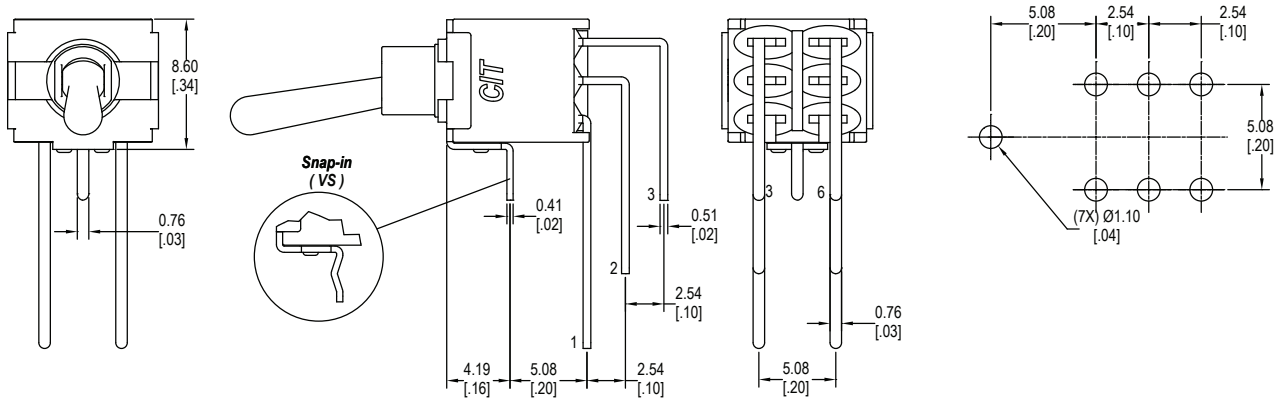


H (HS - Snap In) = Horizontal mount, right angle PC pins, double pole

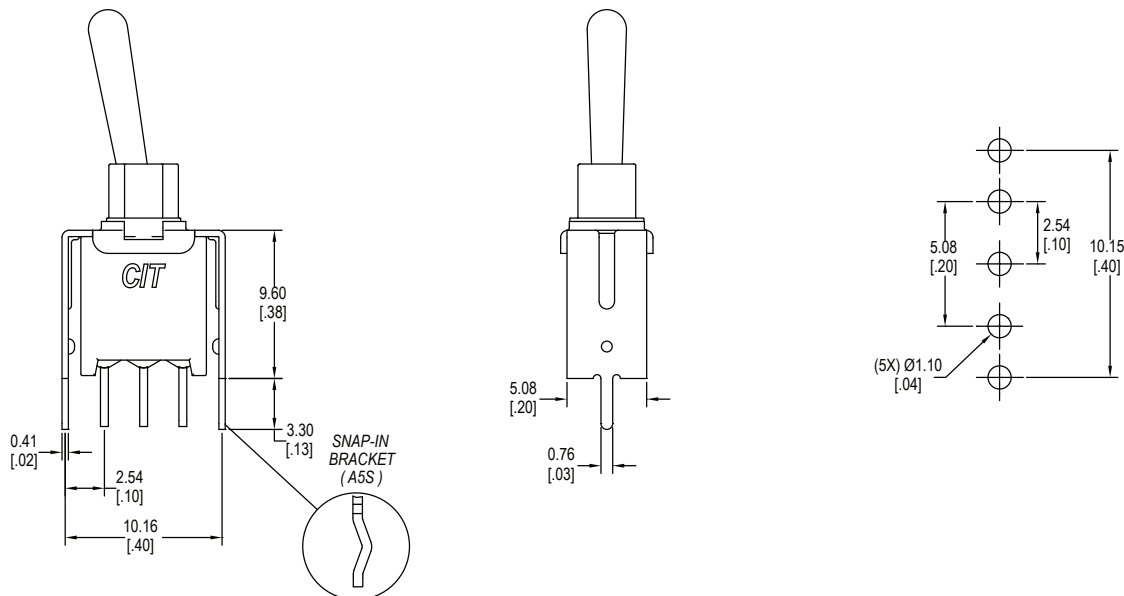
Terminal Options



V (VS - Snap In) = Vertical mount, right angle PC pins, single pole

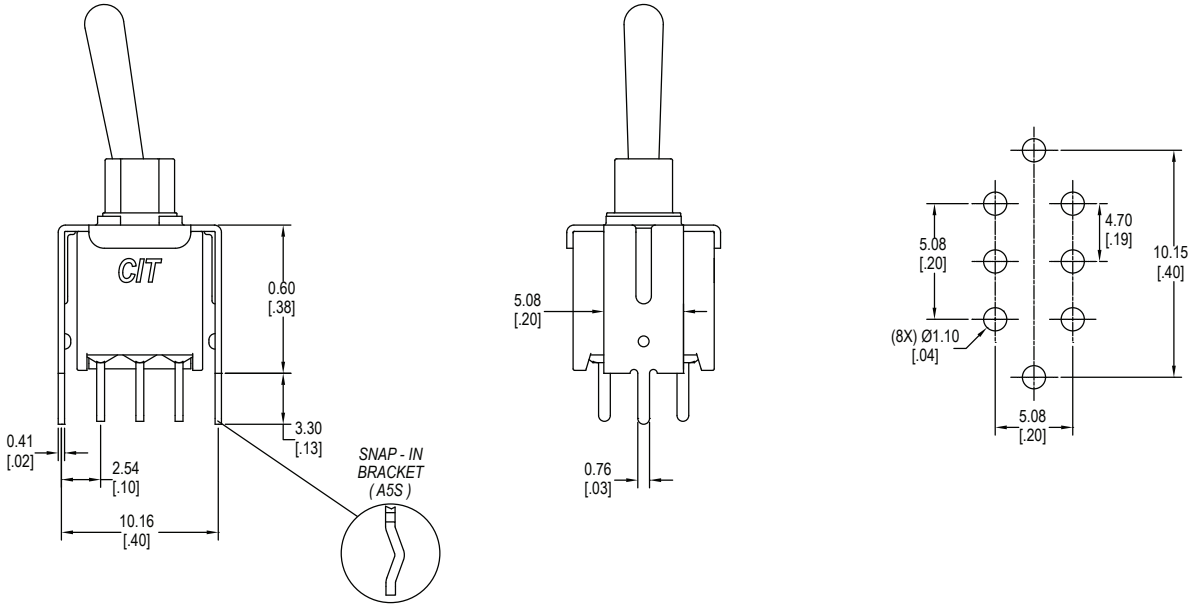


V (VS - Snap In) = Vertical mount, right angle PC pins, double pole



A5 (A5S - Snap In) = PC pins with support bracket, single pole

Terminal Options



A5 (A5S - Snap In) = PC pins with subport bracket, double pole

Contact Options

Designator	Contact Material	Terminal Material	Electrical Ratings
Q	Silver Plating	Silver Plating	3A @ 120VAC, 28VDC; 1.5A @ 250VAC
R	Gold over Nickel Plating	Gold over Nickel Plating	0.4VA max @ 20VAC or VDC max
G	Gold over Silver Plating	Gold over Silver Plating	0.4VA max @ 20VAC or VDC max or 3A @ 120VAC, 28VDC; 1.5A @ 250VAC