



Specifications

Electrical Ratings	50mA @ 50VDC	Dielectric Strength	250Vrms min
Electrical Life	100,000 cycles typical	Insulation Resistance	>100MΩ min @ 500VDC
Contact Resistance	<50mΩ initial	Operating Temperature	-40°C to 85°C
Actuation Force	100 ± 50gF 160 ± 50gF 260 ± 50gF	Storage Temperature	-40°C to 85°C



Materials

Actuator	Nylon 6T
Housing	Nylon 6T
Cover	Stainless Steel, Tin Plated
Contacts	Copper Alloy, Silver Plated
Terminals	Copper Alloy, Silver Plated

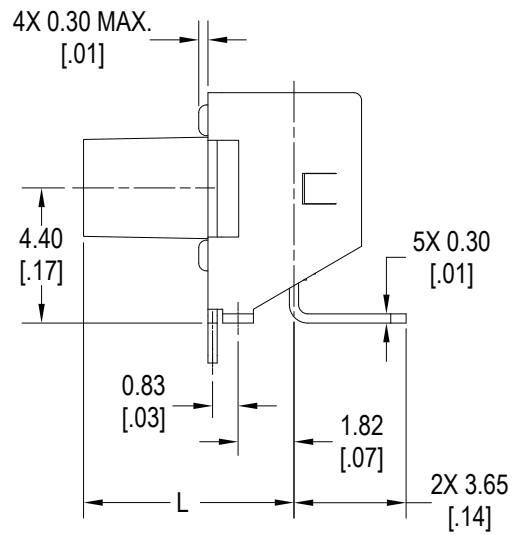
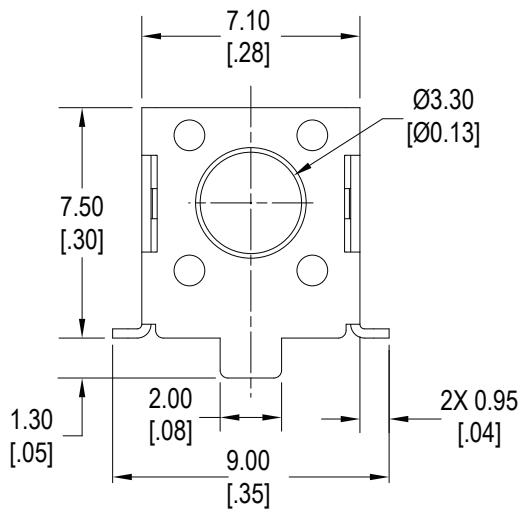
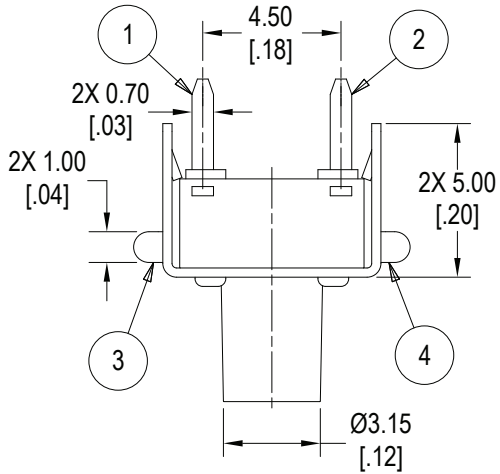
Ordering Information

1. Series	CS1102V	3.15	F160
	CS1102V		
2. Actuator Length			
	3.15 - 3.15mm		
	3.85 - 3.85mm		
	5.85 - 5.85mm		
	6.85 - 6.85mm		
	8.35 - 8.35mm		
	9.85 - 9.85mm		
	11.85 - 11.85mm		
3. Actuation Force			
	F100 - 100gF		
	F160 - 160gF		
	F260 - 260gF		

Standard Packaging

Part Number	Reel Quantity
CS1102V3.15	600 pieces per reel
CS1102V3.85	600 pieces per reel
CS1102V5.85	500 pieces per reel
CS1102V6.85	500 pieces per reel
CS1102V8.35	500 pieces per reel
CS1102V9.85	450 pieces per reel
CS1102V11.85	450 pieces per reel

Dimensions



Schematic & PC Layout

