

Specifications

| | | | |
|--------------------|------------------------------|-----------------------|----------------|
| Electrical Ratings | 50mA @ 50VDC | Dielectric Strength | 250Vrms min |
| Electrical Life | 200,000 cycles typical | Insulation Resistance | ≥ 100MΩ min |
| Contact Resistance | ≤ 50mΩ initial | Operating Temperature | -40°C to +85°C |
| Actuation Force | 160gF ± 50gF 260gF ± 50gF | Storage Temperature | -40°C to +85°C |
| Actuation Travel | .15 ± 0.05mm | | |

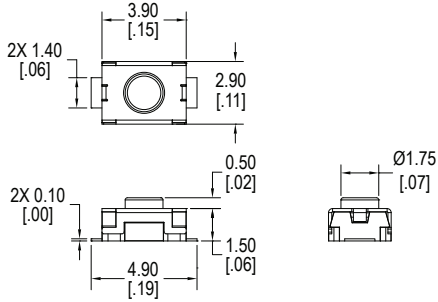
Materials

| | |
|-----------|--------------------------------|
| Actuator | 4/6 Nylon |
| Housing | 4/6 Nylon |
| Cover | Stainless Steel |
| Contacts | Stainless Steel, Silver Plated |
| Terminals | Brass, Silver Plated |

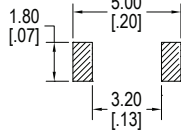
Ordering Information

| | | | | |
|--|--------|---|---|------|
| 1. Series | CS1213 | A | J | F160 |
| CS1213 | | | | |
| 2. Locating Boss Option A = Without Boss B = With Boss | | | | |
| 3. Terminal Option G = Gull Wing J = J Lead | | | | |
| 4. Actuation Force F160 = 160gF F260 = 260gF | | | | |

Dimensions



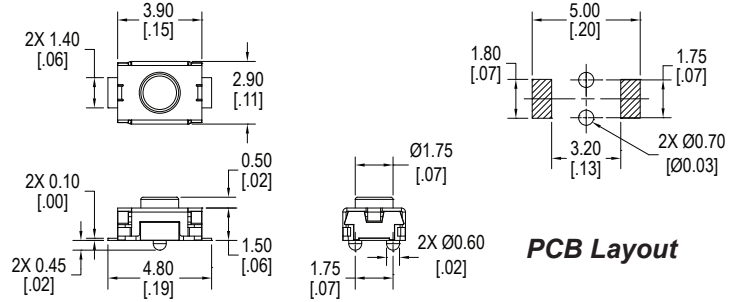
CS1213AG



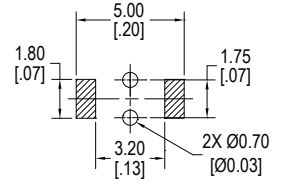
PCB Layout



Schematic



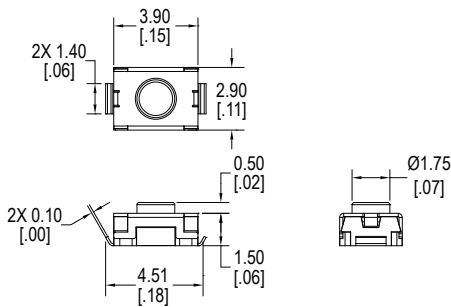
CS1213BG



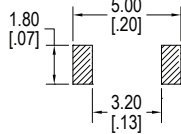
PCB Layout



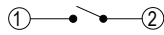
Schematic



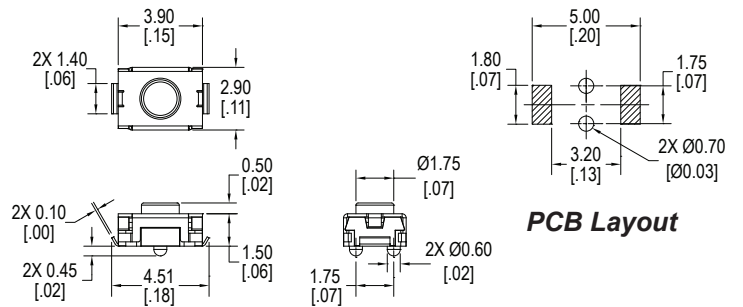
CS1213AJ



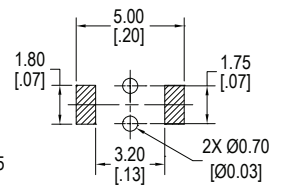
PCB Layout



Schematic



CS1213BJ



PCB Layout



Schematic