

Specifications

| | | | |
|--------------------|--------------------------|-----------------------|---------------|
| Electrical Ratings | 50mA @ 50VDC | Dielectric Strength | 250Vrms min |
| Electrical Life | 100,000 cycles typical | Insulation Resistance | >100MΩ min |
| Contact Resistance | <50mΩ initial | Operating Temperature | -40°C to 85°C |
| Actuation Force | 160 ± 50gF 260 ± 50gF | Storage Temperature | -40°C to 85°C |
| Acutation Travel | .25 ± .1mm | | |

Materials

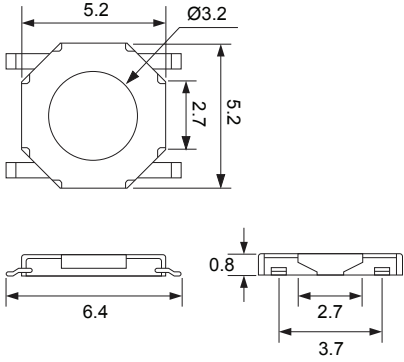
| | |
|-----------|--------------------------------|
| Actuator | Brass |
| Housing | LCP |
| Cover | Stainless Steel |
| Contacts | Stainless Steel, Silver Plated |
| Terminals | Phosphor Bronze, Silver Plated |

Ordering Information

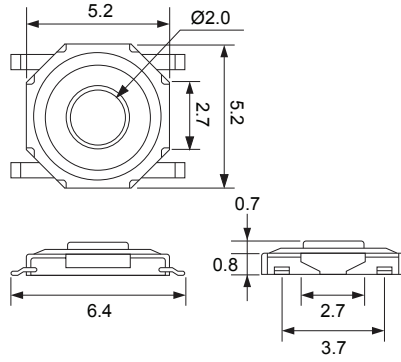
| | | | |
|---|--------|---|------|
| 1. Series | CS1214 | J | F160 |
| CS1214 | | | |
| 2. Actuation Option Blank = Flat Actuator A = Extented Actuator | | | |
| 3. Terminal Option G = Gull Wing J = J Lead | | | |
| 4. Actuation Force F160 = 160gF F260 = 260gF | | | |

Dimensions

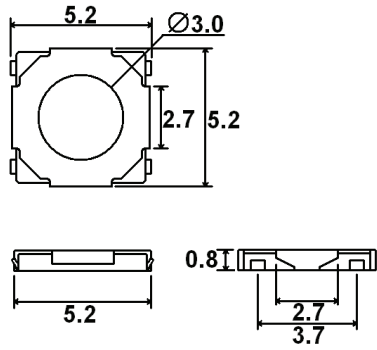
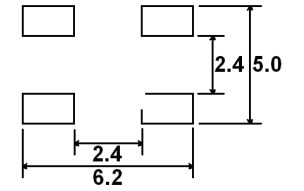
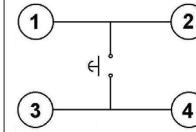
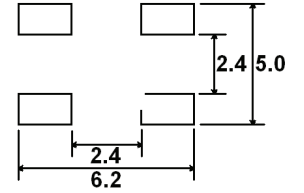
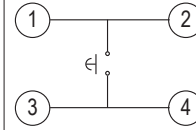
Schematic & PC Layout



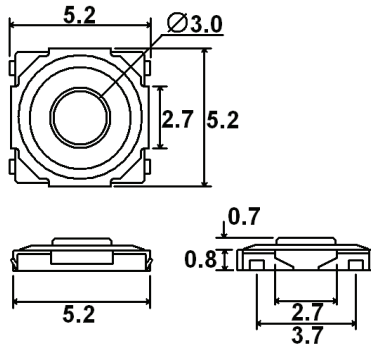
CS1214G



CS1214AG



CS1214J



CS1214AJ