

Specifications

| | | | |
|--------------------|------------------------|--------------------------|-----------------------|
| Electrical Ratings | 50mA @ 50VDC | Dielectric Strength | 250Vrms min |
| Electrical Life | 100,000 cycles typical | Insulation Resistance | ≥ 100MΩ min |
| Contact Resistance | ≤ 50mΩ initial | Operating Temperature | -40°C to 85°C |
| Actuation Force | 160gF ± 50gF | Storage Temperature | -40°C to 85°C |
| Actuation Travel | .25 ± 0.1mm | Standard Packaging 3.4mm | 1,500 pieces per reel |
| | | 5.1mm | 1,000 pieces per reel |

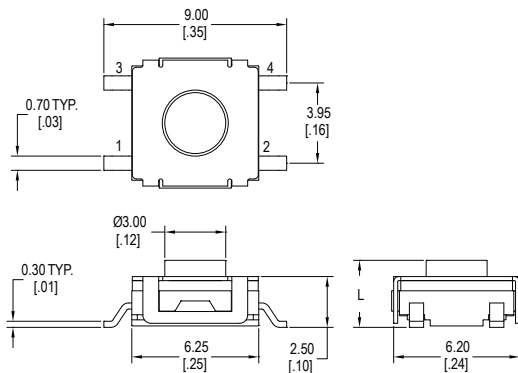
Materials

| | |
|-----------|------------------------------|
| Actuator | Rubber |
| Housing | PA6T Nylon |
| Cover | Steel |
| Contacts | Phosphor Bronze, Silver Clad |
| Terminals | Brass, Silver Plated |

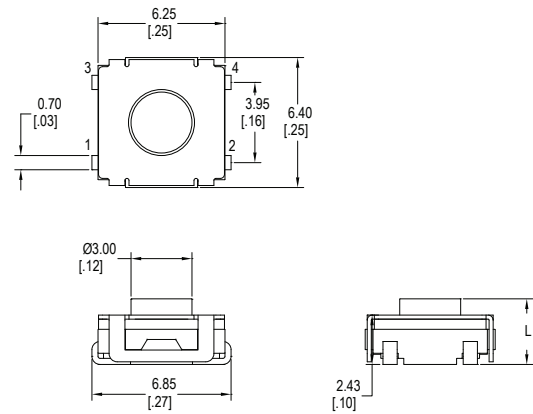
Ordering Information

| | | | |
|-------------------------|---------------|-----|---|
| 1. Series | CS3304 | 3.4 | G |
| CS3304 | | | |
| 2. Actuation Length "L" | 3.4 = 3.4mm | | |
| | 5.1 = 5.1mm | | |
| 3. Terminal Options | G = Gull Wing | | |
| | J = J Lead | | |

Dimensions

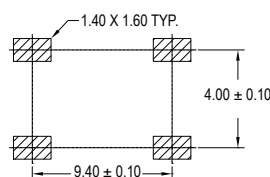
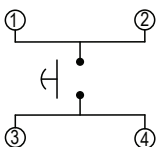


CS3304G

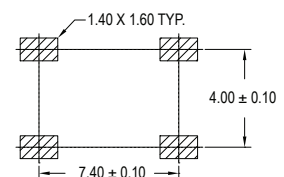


CS3304J

Schematic & PC Layout



CS3304G



CS3304J