

Process Sealed Sub-Miniature Pushbutton

## Specifications

Electrical Ratings	.4VA max @ 20VAC or VDC max	Dielectric Strength	500Vrms min between contacts
Electrical Life	40,000 cycles typical	Insulation Resistance	≥500MΩ min
Contact Resistance	≤100mΩ initial	Operating Temperature	-40°C to 85°C
Actuation Force	250 ± 100gF	Storage Temperature	-40°C to 85°C
Actuator Full Travel	1.0 ± 0.3mm	Sealing Degree	IP67

## Materials

Actuator	6/6 Nylon, Glass Filled, Flame Retardant, Heat Stabilized, UL94V-0
Housing	6/6 Nylon, Glass Filled, Flame Retardant, Heat Stabilized, UL94V-0
Bracket	Steel, Tin Plated
Contacts	Copper Alloy, Gold over Nickel Plated
Terminals	Copper Alloy, Gold over Nickel Plated

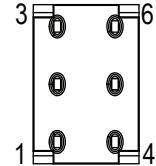
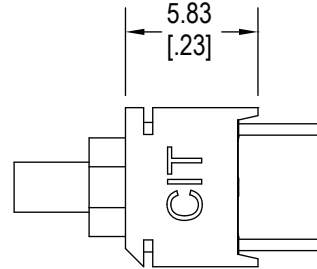
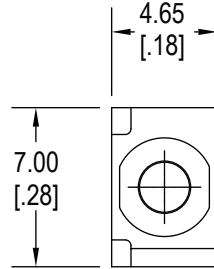
## Ordering Information

1. Series	CSP	1	0	P	C	R	C882
CSP							
2. Number of Poles 1 = Single Pole 2 = Double Pole							
3. Switch Function 0 = OFF- (ON) 1 = ON - (ON)							
4. Actuator / Bushing P = 3.30mm actuator, non-threaded							
5. Terminals C = PC pin H = Horizontal mount, right angle PC pin V = Vertical mount, right angle PC pin							
6. Contacts R = Gold plated							
8. Cap Options C88	Cap Colors 1 = White 2 = Black 3 = Red						

### Switch Function

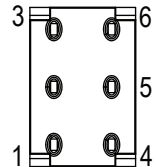
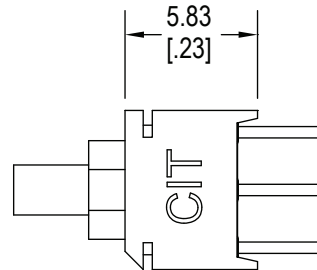
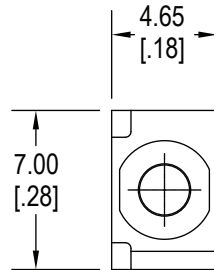
**SPST NO**

Function	Pushbutton Position	
	0	OFF
Terminals	-	4-6



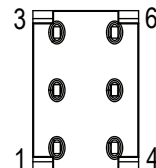
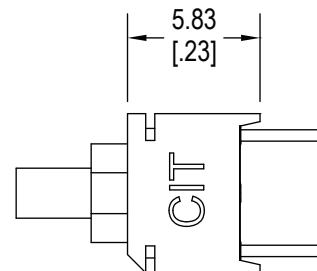
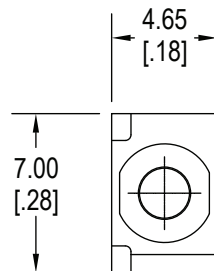
**SPDT**

Function	Pushbutton Position	
	1	ON
Terminals	5-6	5-4



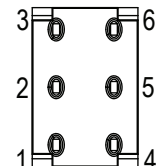
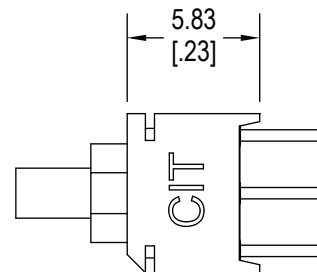
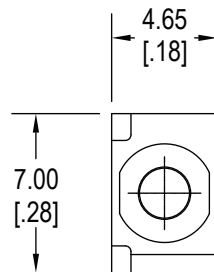
**DPST NO**

Function	Pushbutton Position	
	0	OFF
Terminals	-	1-3, 4-6

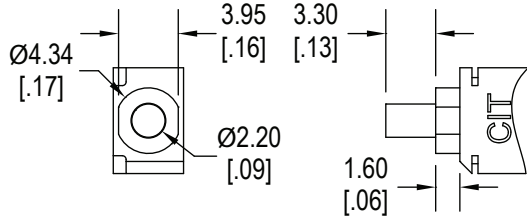


**DPDT**

Function	Pushbutton Position	
	1	ON
Terminals	2-3, 5-6	1-3, 4-6

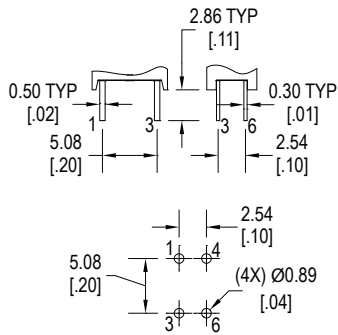


### Actuator / Bushing Options

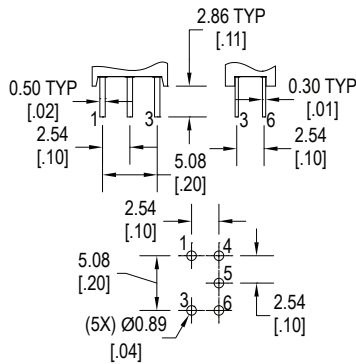


P

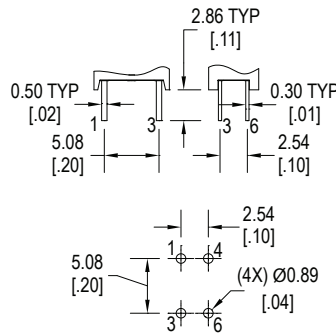
### Terminal Options



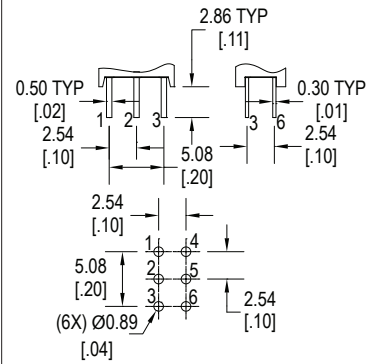
C SPST NO



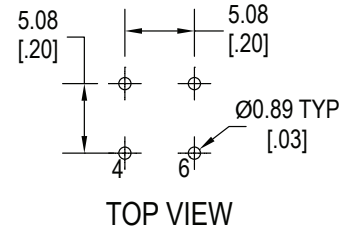
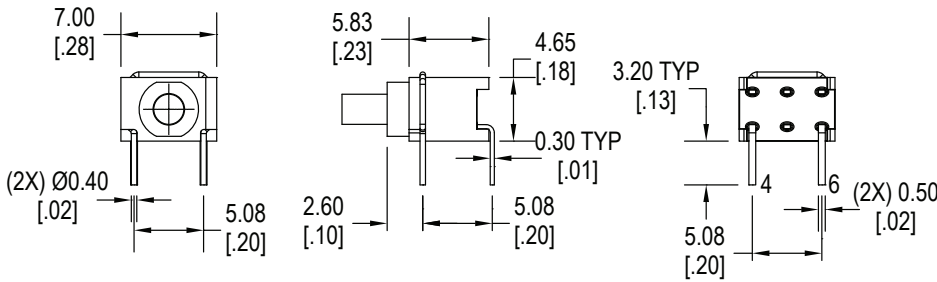
C SPDT



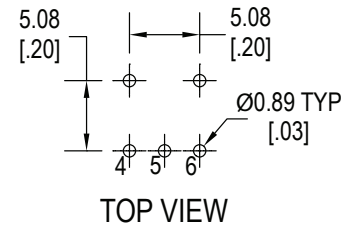
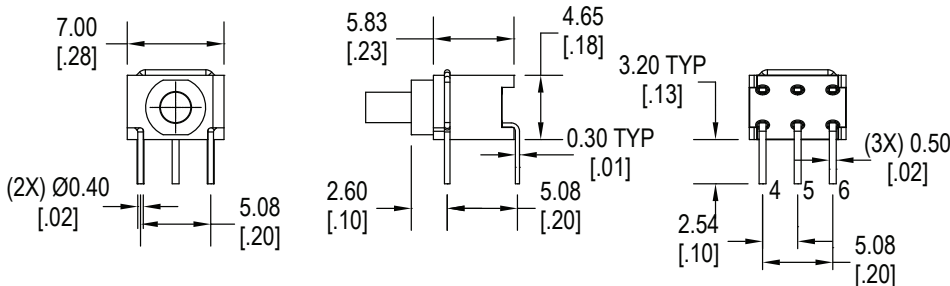
C DPST NO



C DPDT

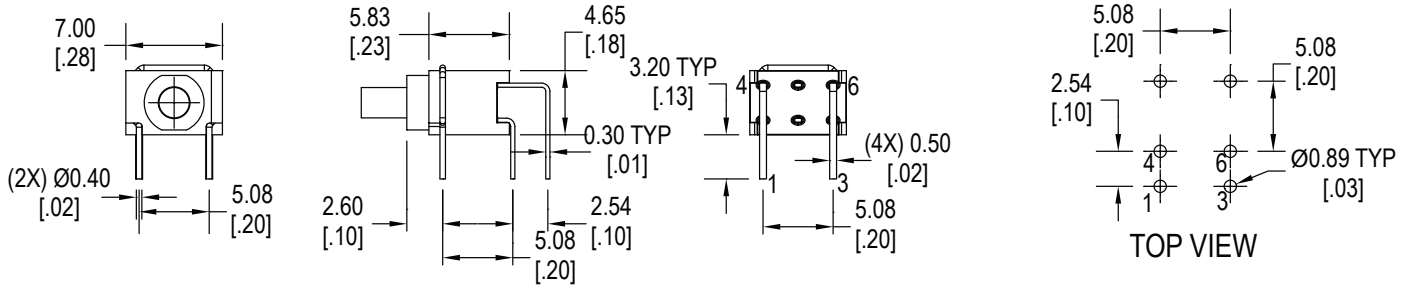


H = Horizontal mount, right angle PC pins, SPST NO

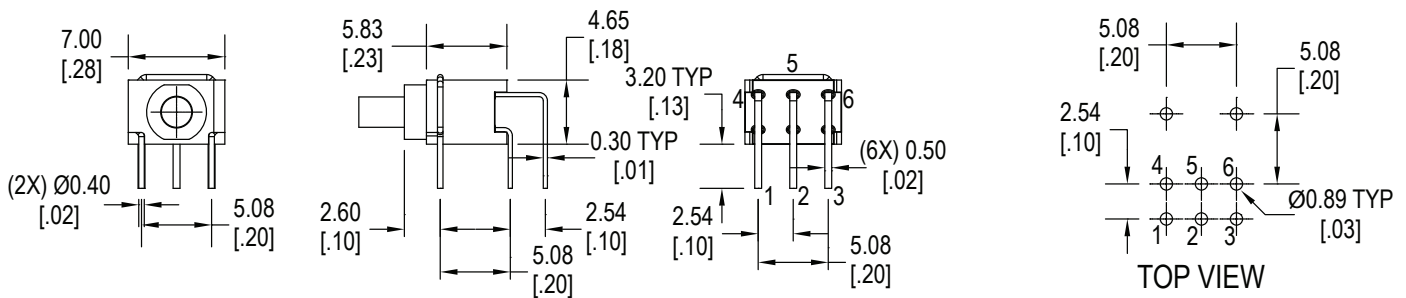


H = Horizontal mount, right angle PC pins, SPDT

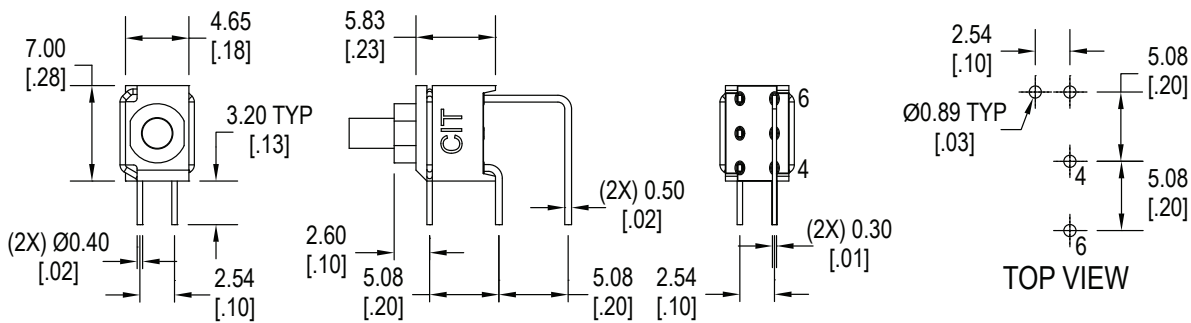
### Terminal Options



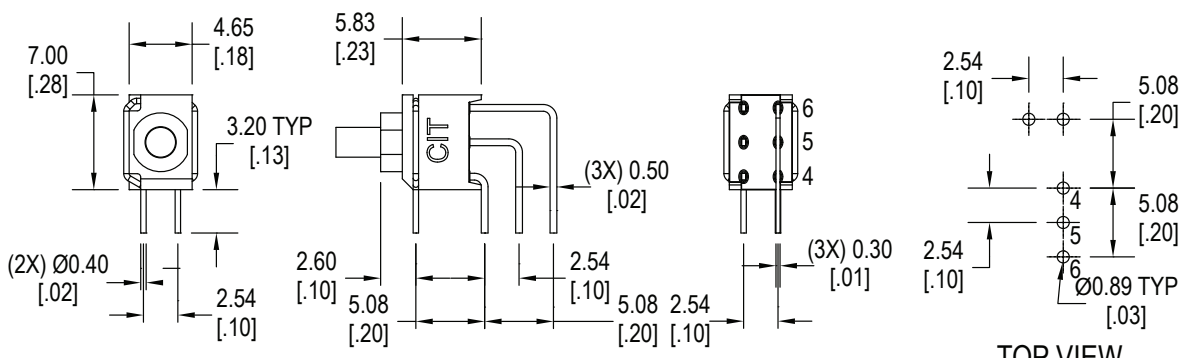
**H = Horizontal mount, right angle PC pins, DPST NO**



**H = Horizontal mount, right angle PC pins, DPDT**

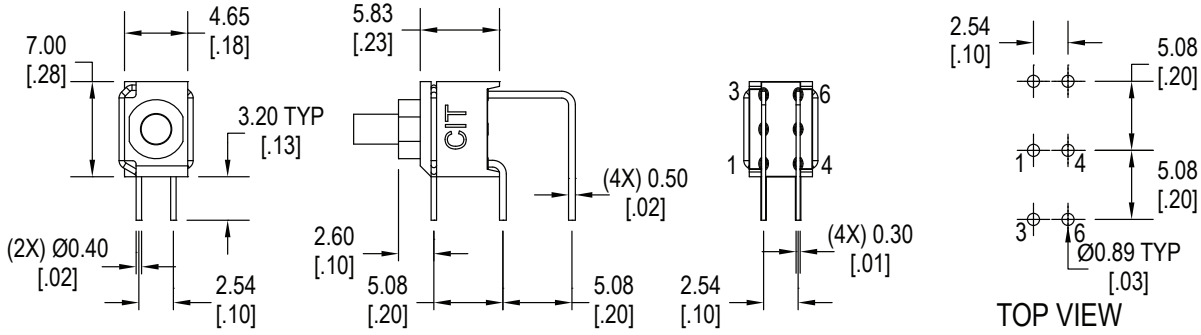


**V = Vertical mount, right angle PC pins, SPST NO**

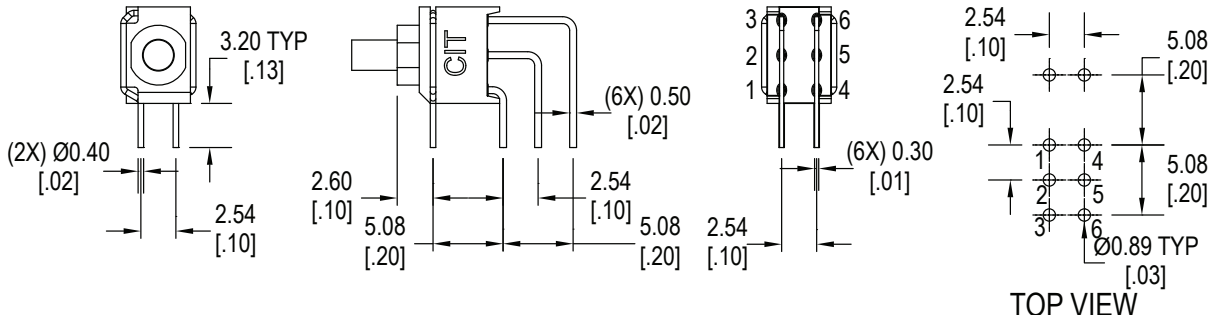


**V = Vertical mount, right angle PC pins, SPDT**

### Terminal Options

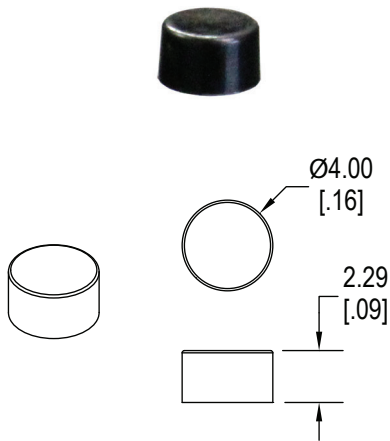


**V = Vertical mount, right angle PC pins, DPST NO**



**V = Vertical mount, right angle PC pins, DPDT**

### Cap Options



**C88\_**

1 = White, 2 = Black, 3 = Red  
Contact Factory for other available colors