

Process Sealed Miniature Toggle

Specifications

Electrical Ratings	.4VA max @ 20VAC or VDC max	Insulation Resistance	≥500MΩ min
Electrical Life	40,000 cycles typical	Operating Temperature	-40°C to 85°C
Contact Resistance	≤100mΩ initial	Storage Temperature	-40°C to 85°C
Actuation Force	150 ± 50gF	Sealing Degree	IP67
Dielectric Strength	500Vrms min between contacts		

Materials

Actuator	6/6 Nylon, Glass Filled, Flame Retardant, Heat Stabilized, UL94V-0
Housing	6/6 Nylon, Glass Filled, Flame Retardant, Heat Stabilized, UL94V-0
Bracket	Steel, Tin Plated
Contacts	Copper Alloy, Gold over Nickel Plated
Terminals	Copper Alloy, Gold over Nickel Plated

Ordering Information

1. Series	CST	1	1	T	2	C	R
CST							
2. Number of Poles 1 = Single Pole 2 = Double Pole							
3. Switch Function 0 = Off-None- On 1 = On-None-On 3 = On-Off-On							
4. Actuator T = Standard toggle, 3.80mm							
5. Actuator Color 2 = Black, standard							
6. Terminals C = PC pin H = Horizontal mount, right angle PC pin V = Vertical mount, right angle PC pin							
7. Contact Material R = Gold plated							

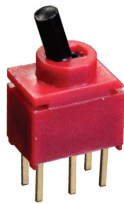
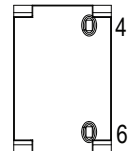
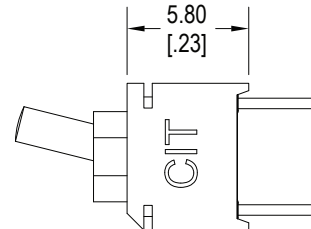
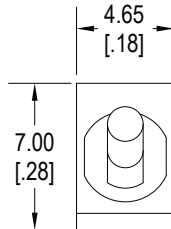
Switch Function



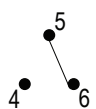
SPST NO



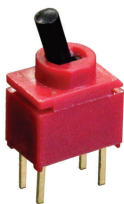
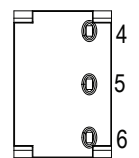
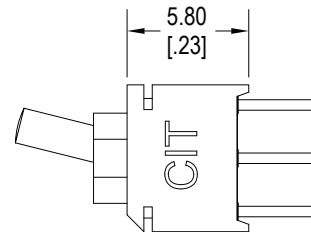
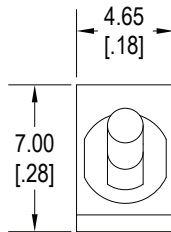
FUNCTION	TOGGLE POSITION		
0	OFF	NONE	ON
TERMINALS	--	--	4-6



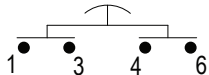
SPDT



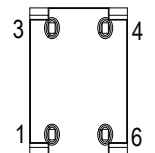
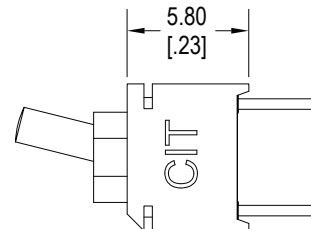
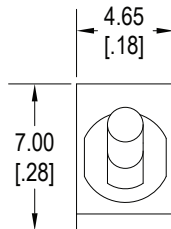
FUNCTION	TOGGLE POSITION		
1	ON	NONE	ON
3	ON	OFF	ON
TERMINALS	5-6	--	5-4



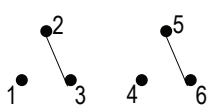
DPST NO



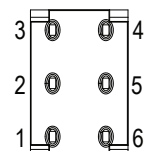
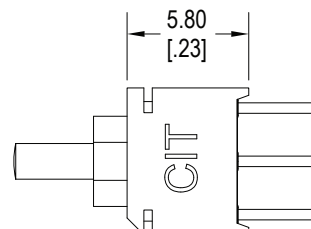
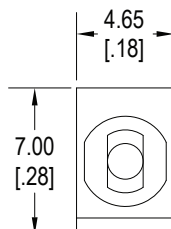
FUNCTION	TOGGLE POSITION		
0	OFF	NONE	ON
TERMINALS	--	--	1-3-4-6



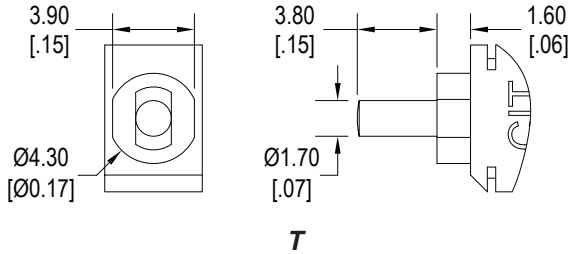
DPDT



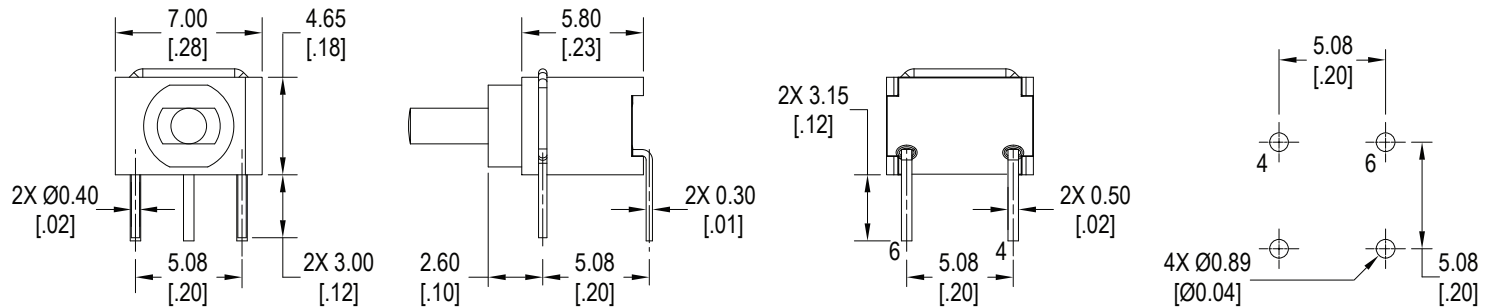
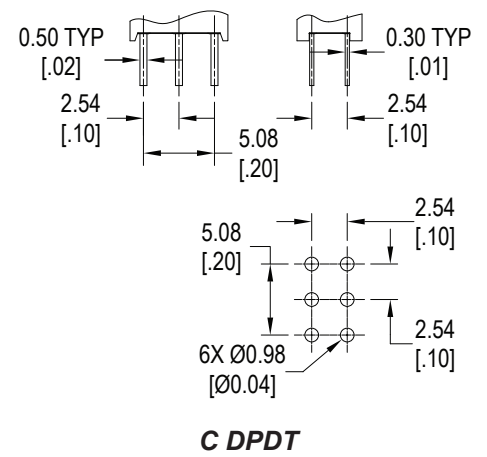
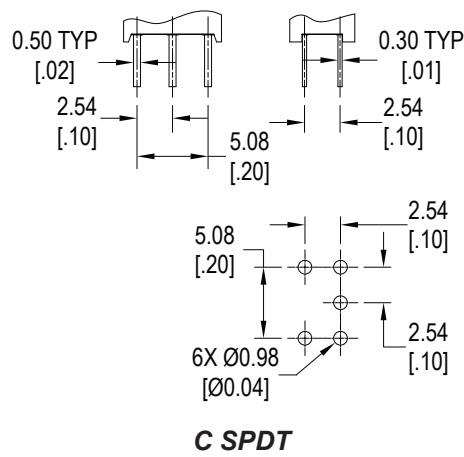
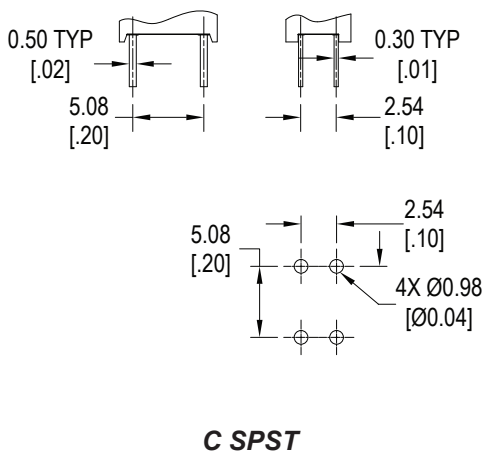
FUNCTION	TOGGLE POSITION		
1	ON	NONE	ON
3	ON	OFF	ON
TERMINALS	2-3,5-6	--	2-1,5-4



Actuator

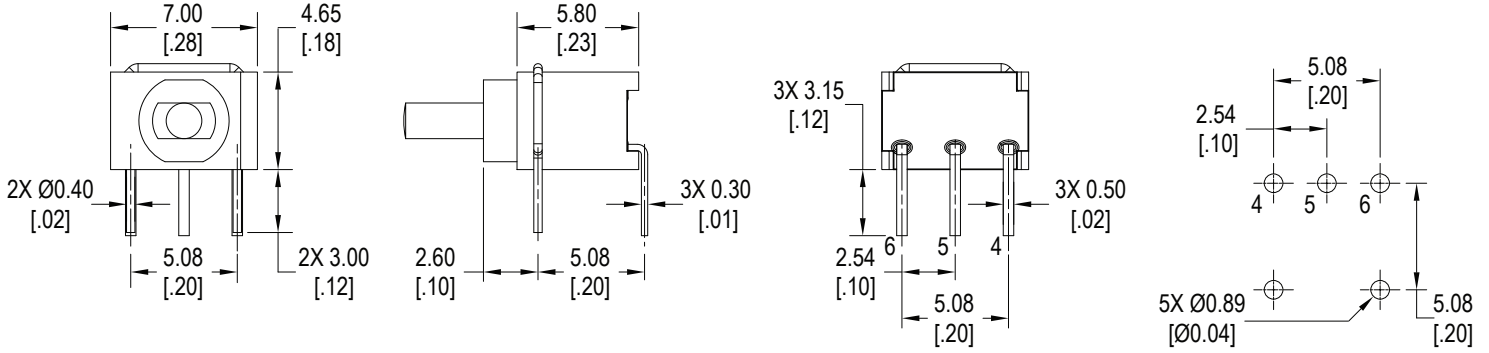


Terminal Options

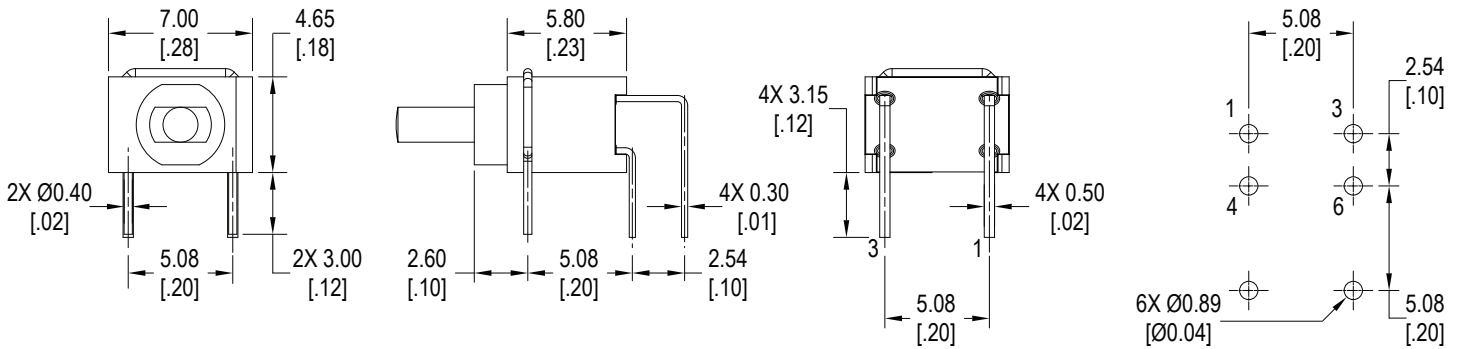


H = Horizontal mount, right angle PC pins, SPST N.O.

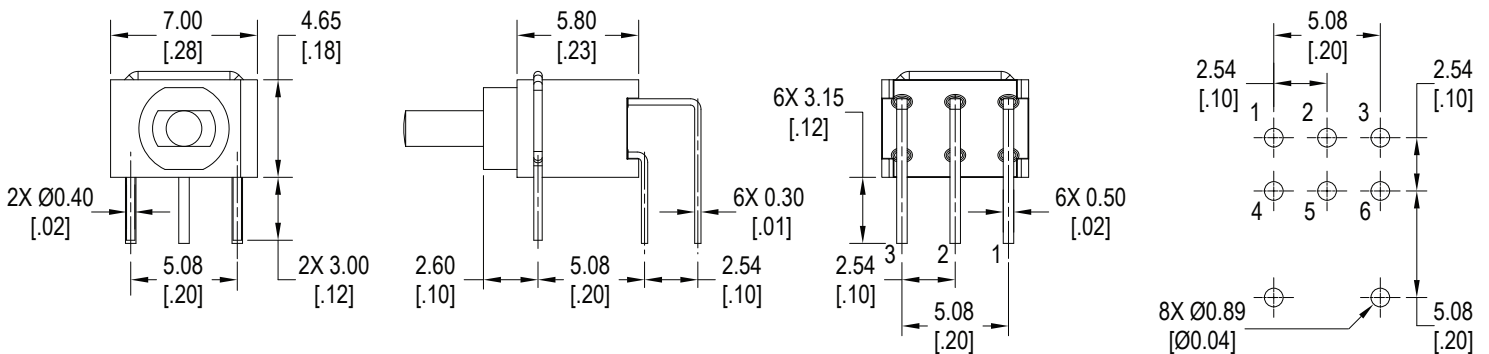
Terminal Options



H = Horizontal Mount, right angle PC pins, SPDT

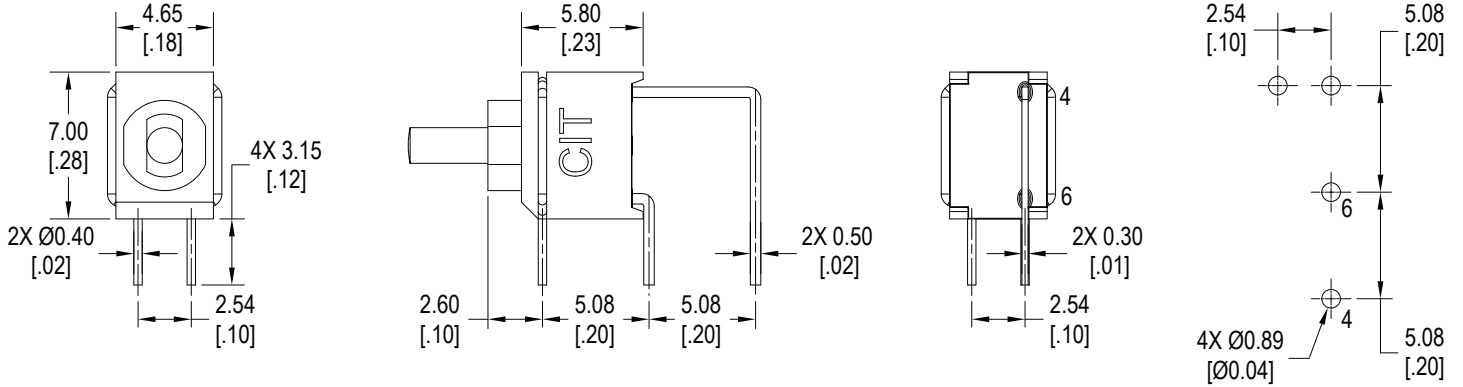


H = Horizontal mount, right angle PC pins, DPST N.O.

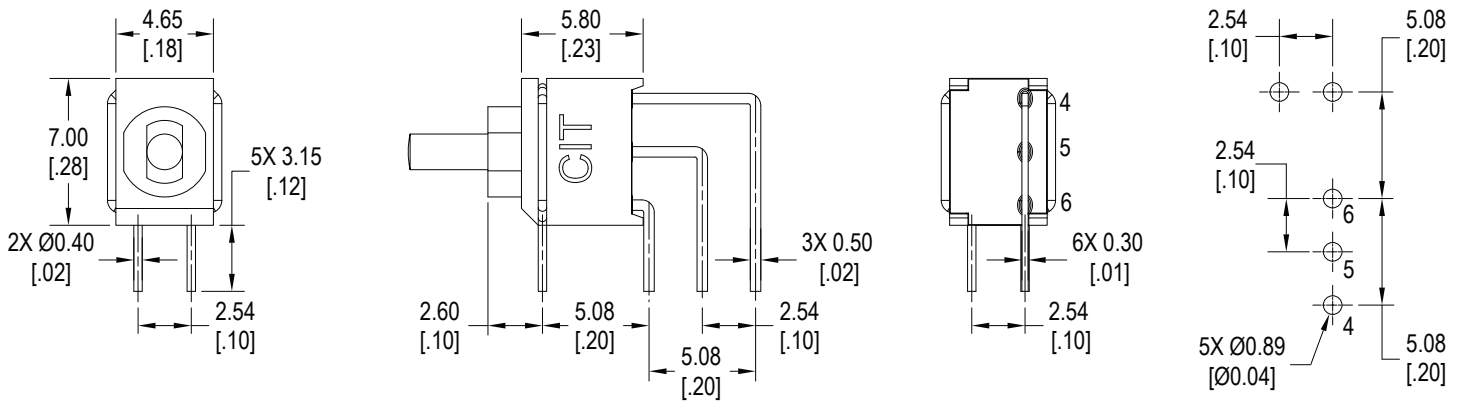


H = Horizontal mount, right angle PC pins, DPDT

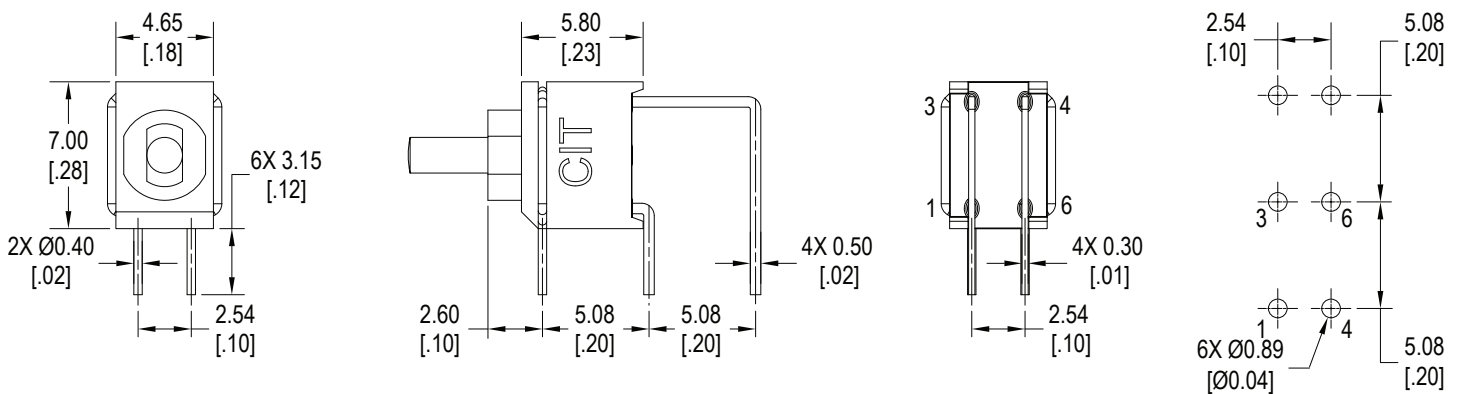
Terminal Options



V = Vertical mount, right angle PC pins, SPST N.O.

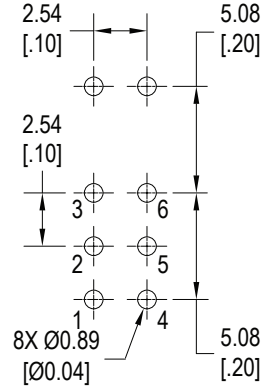
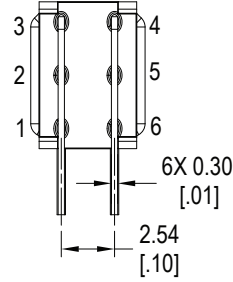
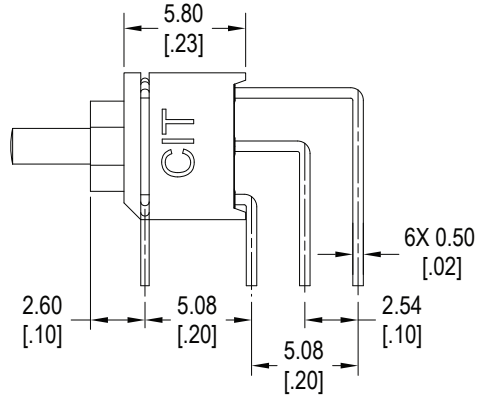
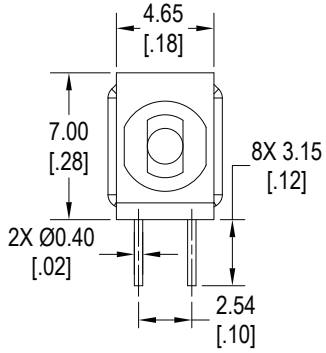


V = Vertical Mount, right angle PC pins, SPDT



V = Vertical mount, right angle PC pins, DPST N.O.

Terminal Options



V = Vertical mount, right angle PC pins, DPDT