



Illuminated Pushbutton - 22, 25 & 30mm

## Specifications

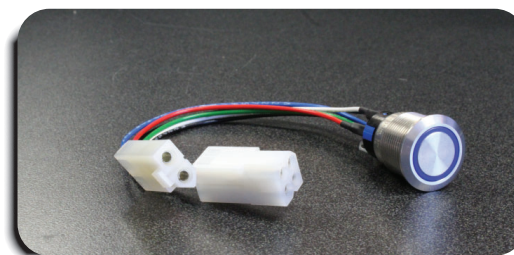
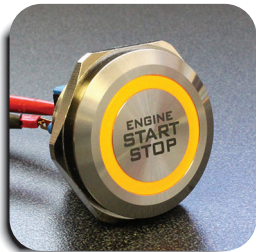
Electrical Ratings	2A @ 24VDC 2A @ 125VAC 1A @ 250VAC	Actuation Force	550 ±50gF
Sealing Degree	IP67	Actuation Travel	2.5 ± .3mm
Electrical Life	50,000 cycles typical	Dielectric Strength	2000Vrms min contact to contact 2000Vrms min contact to LED
Contact Resistance	≤ 50mΩ initial	Insulation Resistance	≥ 100MΩ min
		Operating Temperature	-25°C to 70°C
		Storage Temperature	-25°C to 70°C

## Materials

Actuator	Stainless Steel or Anodized Aluminum
LED Lens	Polycarbonate (PC)
Threaded Body	Stainless Steel or Anodized Aluminum
Terminal Support	Polybutylene Terephthalate (PBT)
Inner Switch Body	Polycarbonate (PC)
Contacts	Silver Alloy
Terminals	Brass, Epoxy Sealed
Hardware	One Hex Nut & One "O" Ring Supplied

## Contact Factory for

- Cable Assembly
- Plastic Convex Actuator
- Shine Through Symbols
- Laser Etching



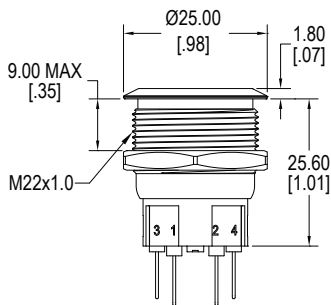
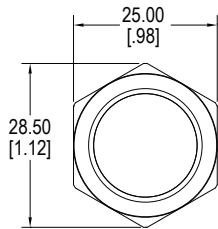
## Ordering Information

1. Series	DH22	1	N	B	B	R	Z
DH22 - 1 Pole only DH25 DH30 <i>Contact factory for 2 Pole DH22 option</i>							
2. Number of Poles	1 = SPST NO + SPST NC 2 = DPST NO + DPST NC <i>not available with DH22</i>						
3. Bezel Style	Blank = Standard Bezel H = Straight Bezel						
4. Latching Option	N = Momentary L = Latching						
5. Actuator Style:	A = Flush actuator, non-illuminated B = Flush actuator, ring illuminated C = Flush actuator, dot illuminated G = Flush actuator, international standby symbol illuminated EC = Epoxy Convex actuator, <i>contact factory for details</i> MR = Mushroom, red anodized aluminum <i>only available with DH22 &amp; DH25</i> MRC = Mushroom, red anodized aluminum, dot illuminated <i>only available with DH22 &amp; DH25</i>						
6. Switch Finish	B = Black anodized aluminum G = Green anodized aluminum R = Red anodized aluminum S = Brushed stainless steel U = Blue anodized aluminum Y = Yellow anodized aluminum						
7. LED Color	Z = No LED R = Red Y = Yellow G = Green B = Blue W = White O = Orange RGB <i>only available with DH22</i> RO = Red / Orange dual LED RY = Red / Yellow dual LED RG = Red / Green dual LED RB = Red / Blue dual LED OY = Orange / Yellow dual LED OG = Orange / Green dual LED OB = Orange / Blue dual LED YG = Yellow / Green dual LED YB = Yellow / Blue dual LED GB = Green / Blue dual LED * Contact Factory for other LED options						
8. LED Voltage	Z = No LED N = No internal resistor in series with the LED 6 = 6V 12 = 12V 24 = 24V 110 = 110V 220 = 220V						
9. Terminal Option	Blank = .100" Quick Connect, standard T = Screw Terminals, only available with 1 pole <i>not available on DH28</i>						

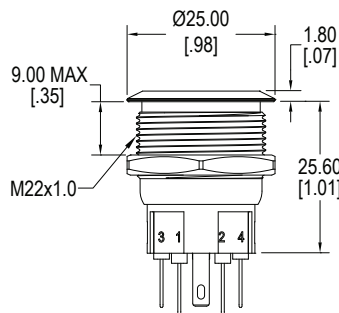
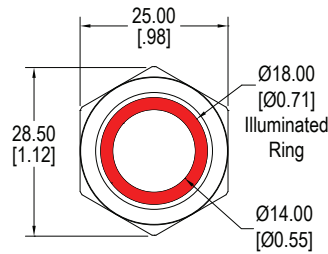
OPTIONAL Socket Housing available

## Dimensions

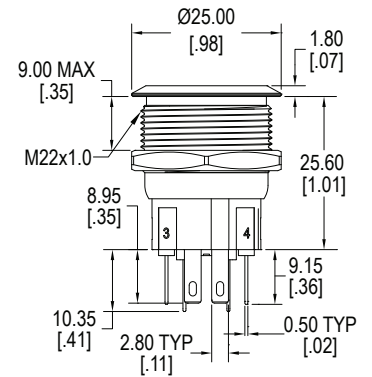
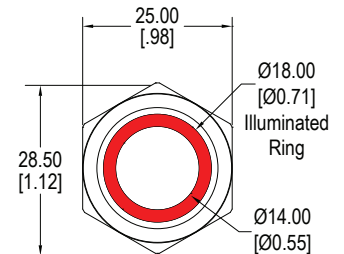
### 22mm - Actuator Styles, available in Single Pole only



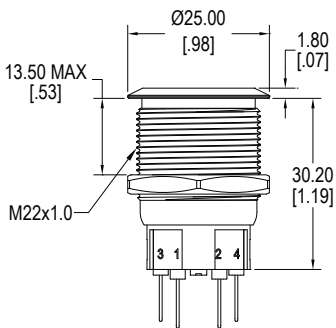
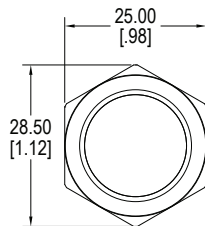
**A Non-Latching**



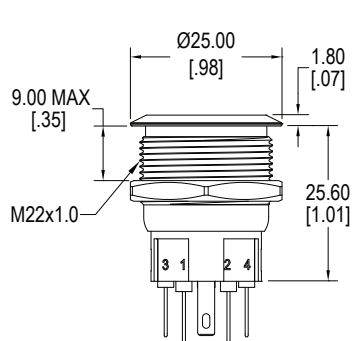
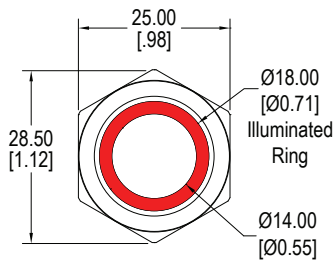
**B Non-Latching**



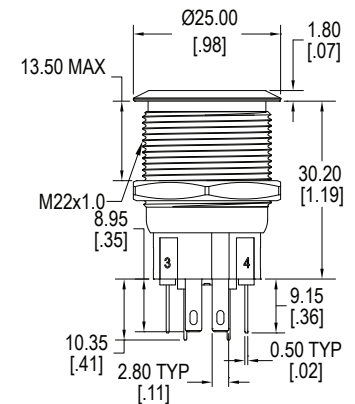
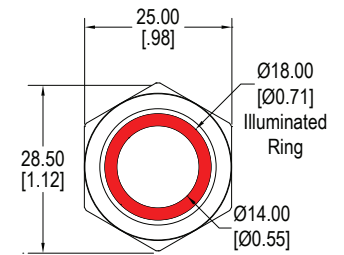
**B Non-Latching RGB**



**A Latching**



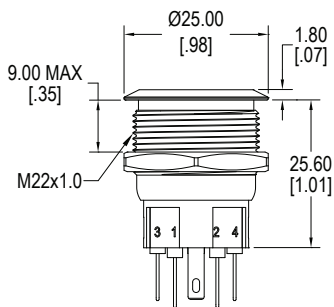
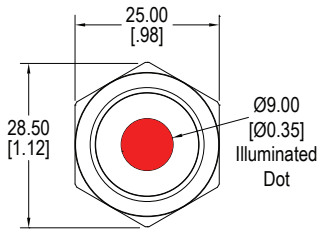
**B Latching**



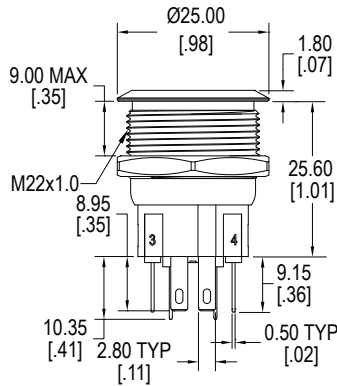
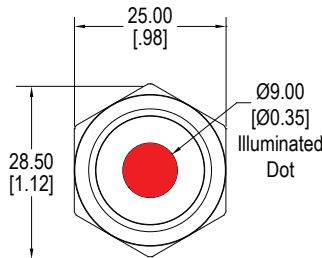
**B Latching RGB**

**Dimensions**

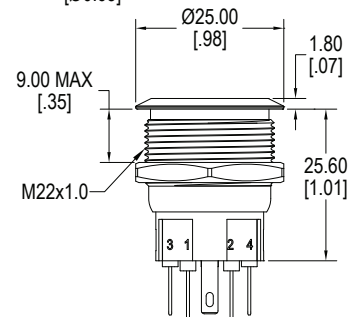
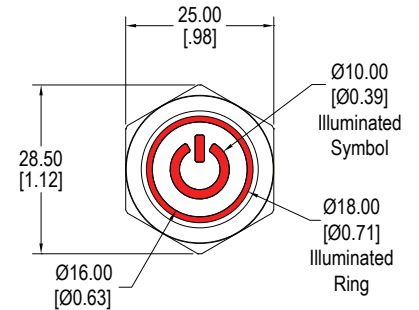
**22mm - Actuator Styles, available in Single Pole only**



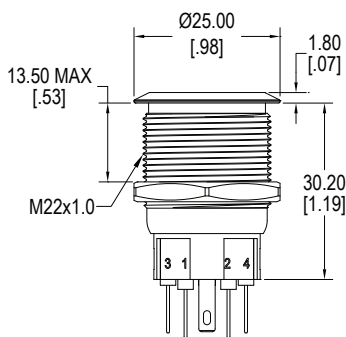
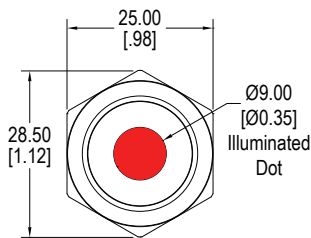
**C Non-Latching**



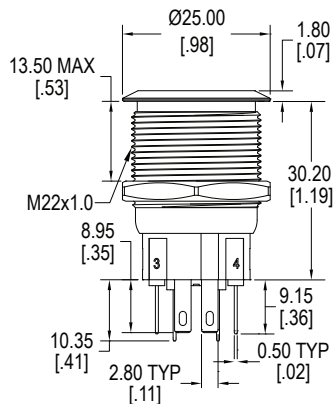
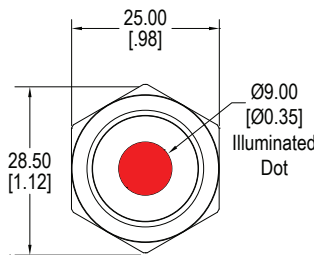
**C Non-Latching RGB**



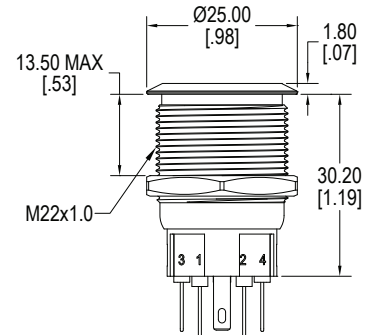
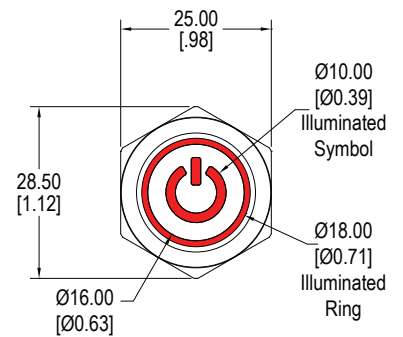
**G Non-Latching**



**C Latching**



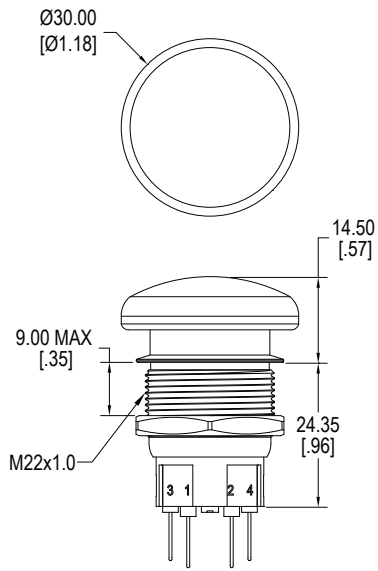
**C Latching RGB**



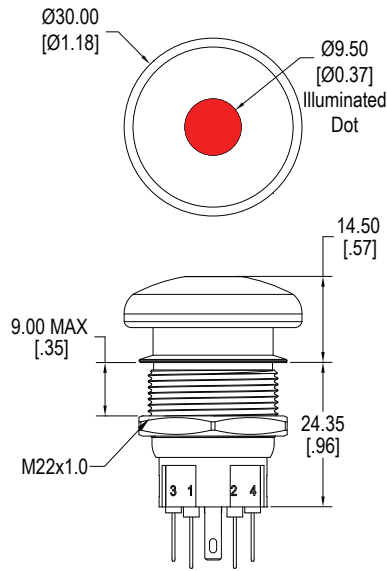
**G Latching**

**Dimensions**

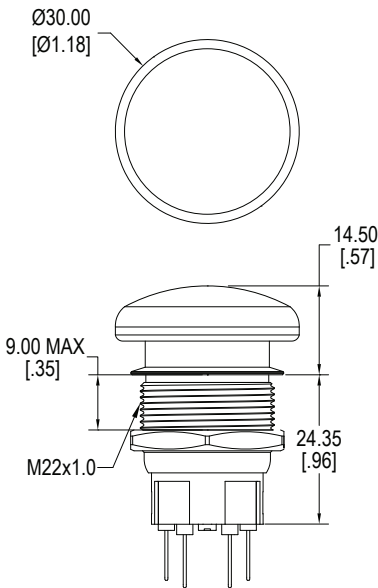
**22mm - Actuator Styles, available in Single Pole only**



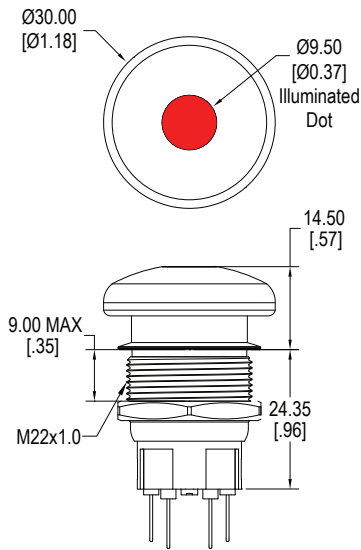
**MR Non-Latching**



**MRC Non-Latching**



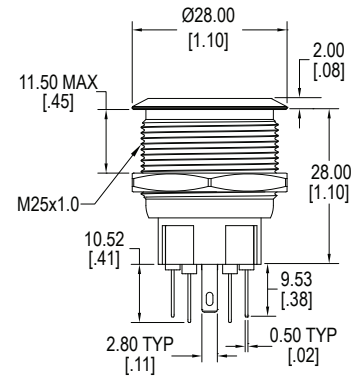
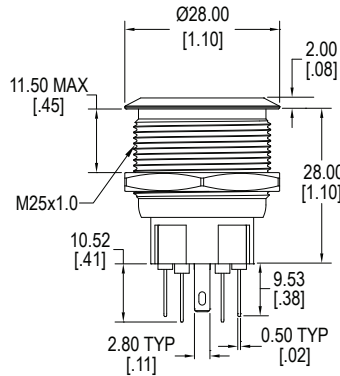
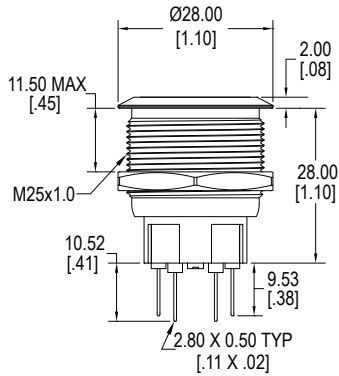
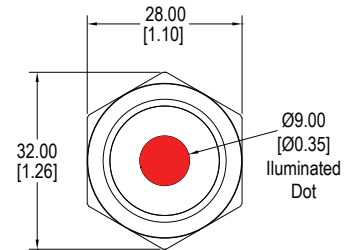
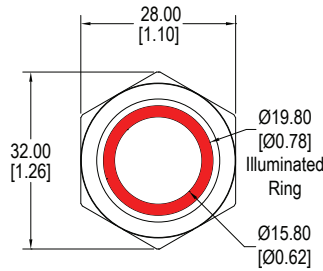
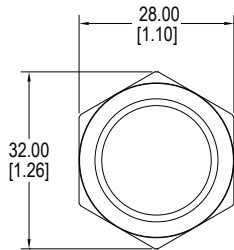
**MR Latching**



**MRC Latching**

**Dimensions**

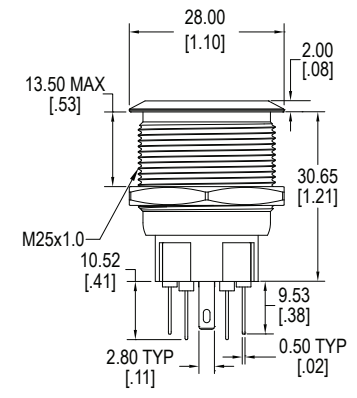
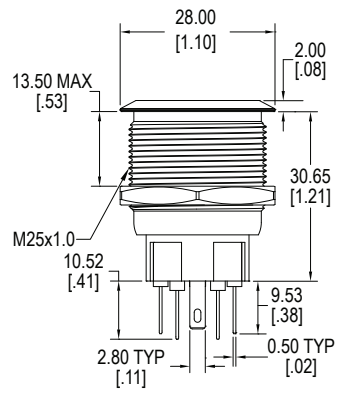
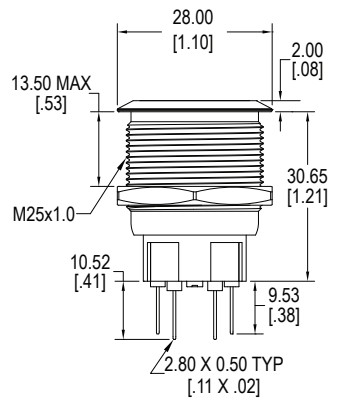
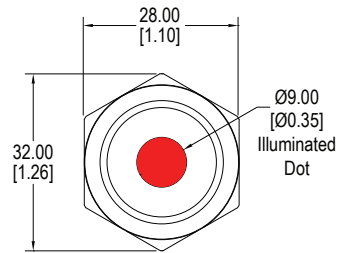
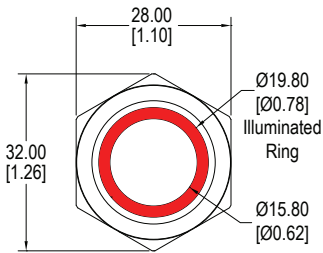
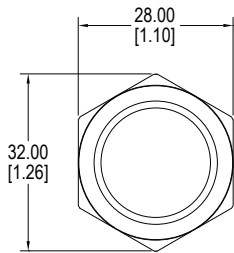
**25mm - Actuator Styles, available in Single Pole & Double Pole**



**A Non-Latching**

**B Non-Latching**

**C Non-Latching**



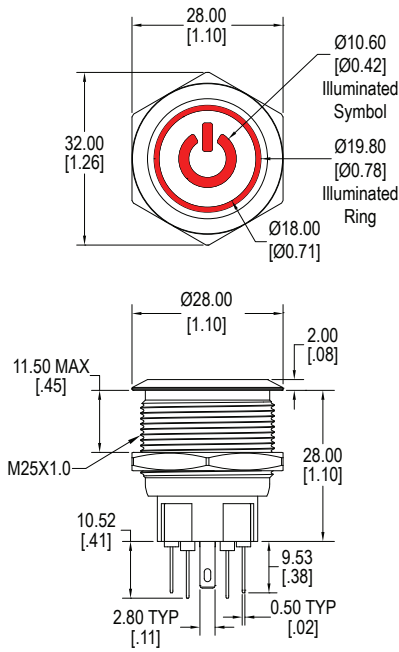
**A Latching**

**B Latching**

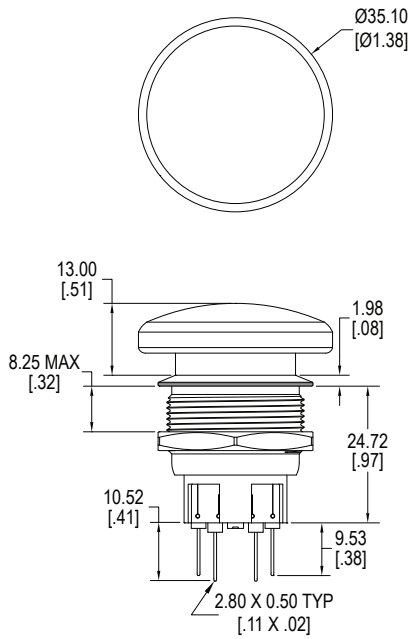
**C Latching**

## Dimensions

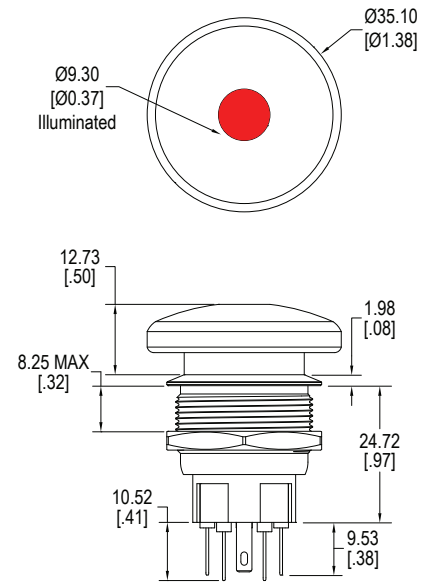
### 25mm - Actuator Styles, available in Single Pole & Double Pole



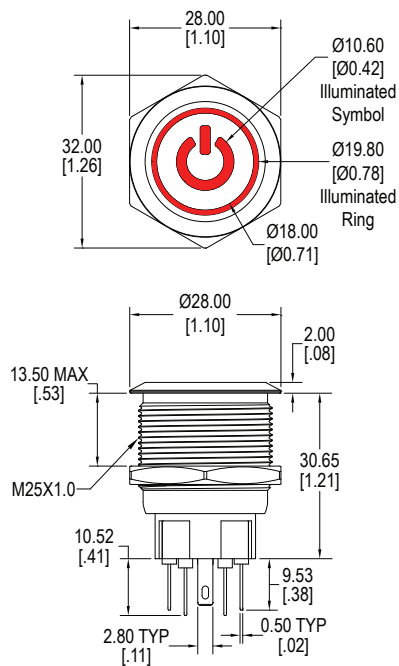
**G Non-Latching**



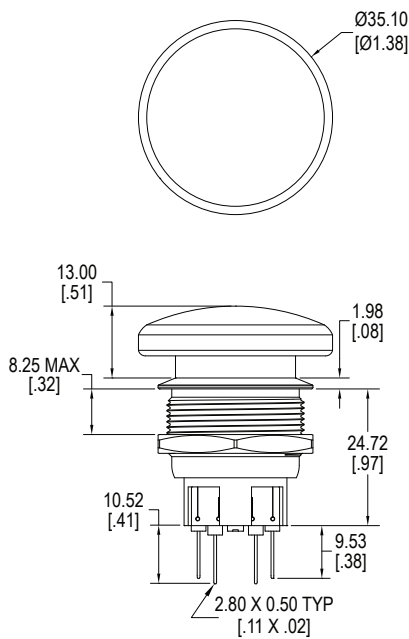
**MR Non-Latching**



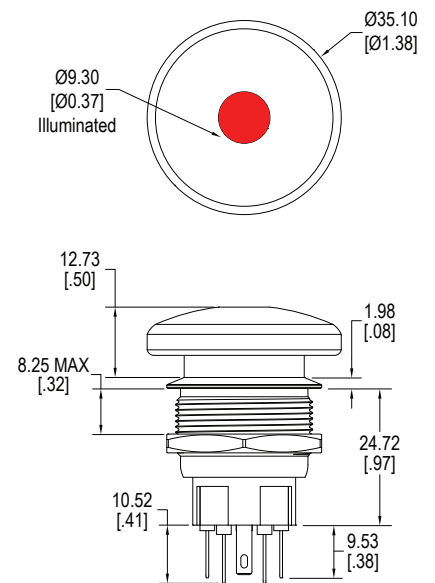
**MRC Non-Latching**



**G Latching**



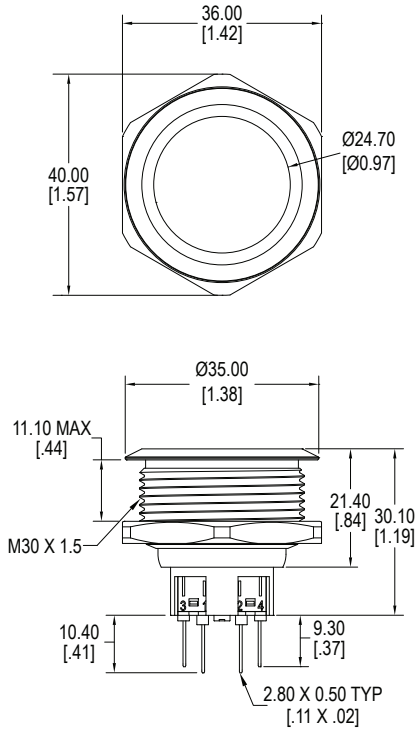
**MR Latching**



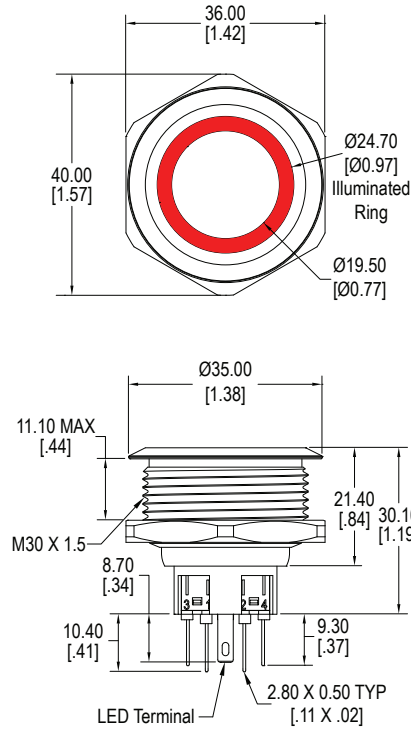
**MRC Latching**

**Dimensions**

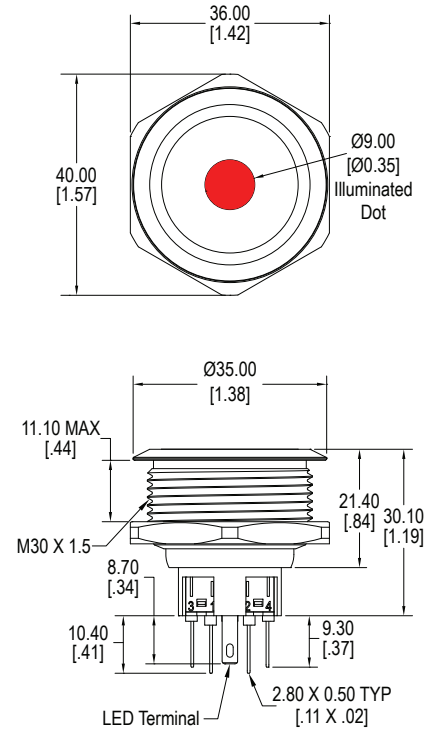
**30mm - Actuator Styles, available in Single Pole & Double Pole**



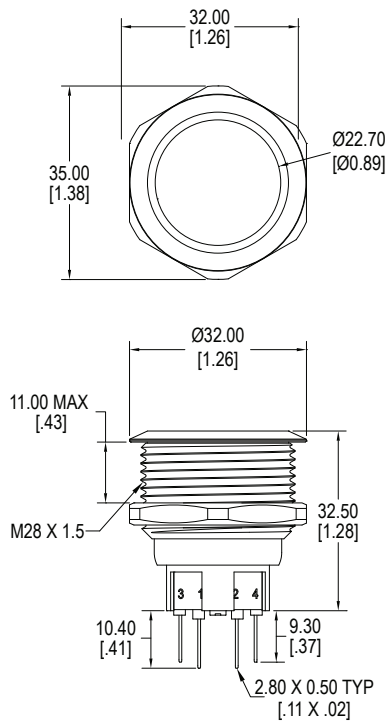
**A Non-Latching**



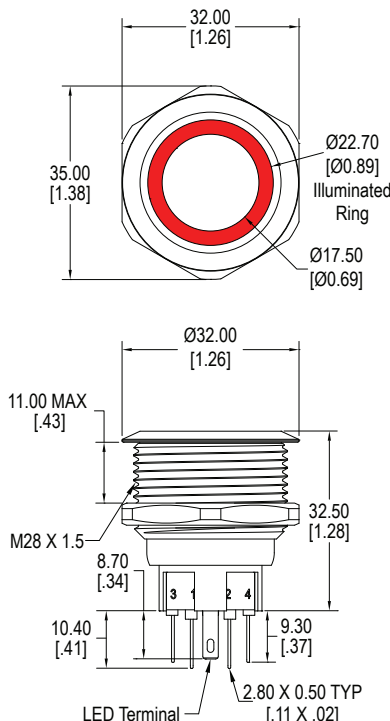
**B Non-Latching**



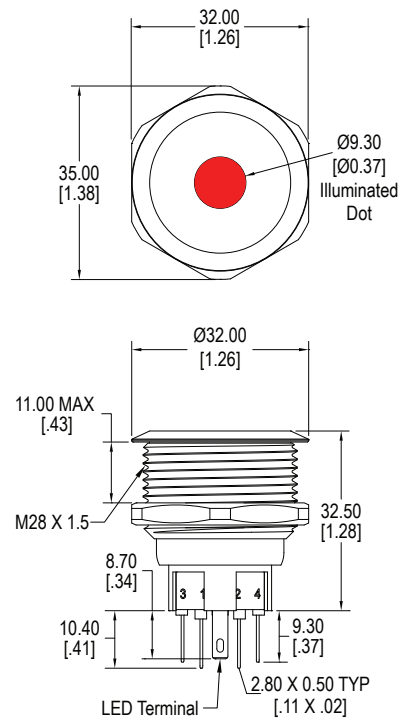
**C Non-Latching**



**A Latching**



**B Latching**

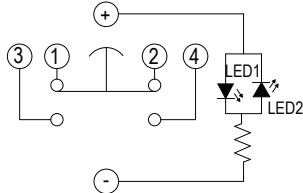


**C Latching**

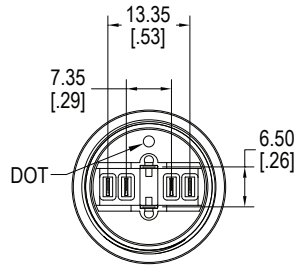


### Schematics

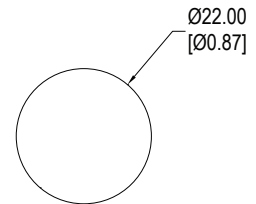
#### 22mm - available in Single Pole



**Schematic**

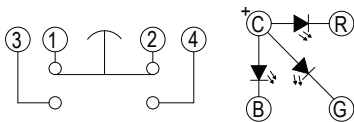


**Bottom View**

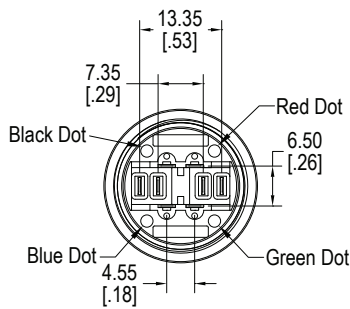


**Panel Cut-Out**

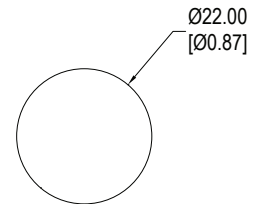
#### 22mm RGB- available in Single Pole



**Schematic**

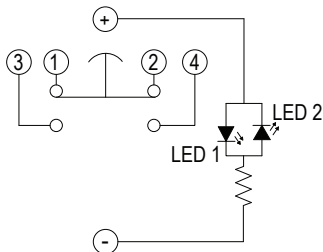


**Bottom View**

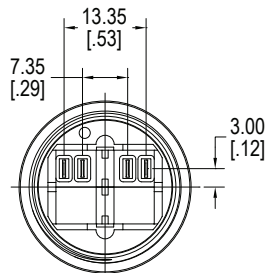


**Panel Cut-Out**

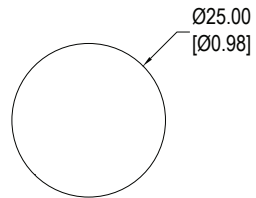
#### 25mm - available in Single Pole & Double Pole Single Pole



**Schematic**



**Bottom View**

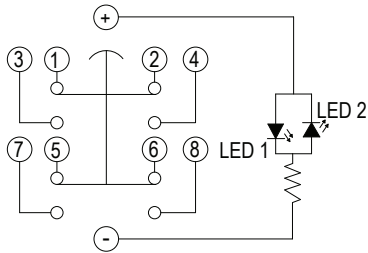


**Panel Cut-Out**

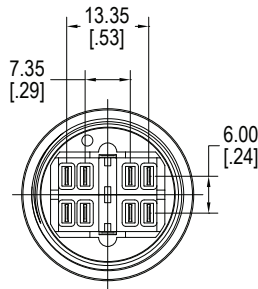
**Schematics**

**25mm - available in Single Pole & Double Pole**

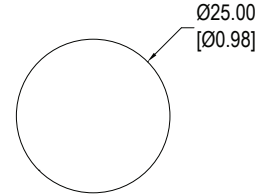
**Double Pole**



**Schematic**



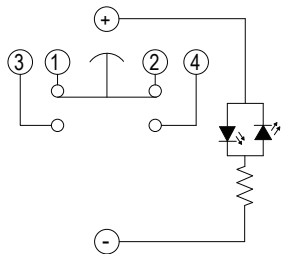
**Bottom View**



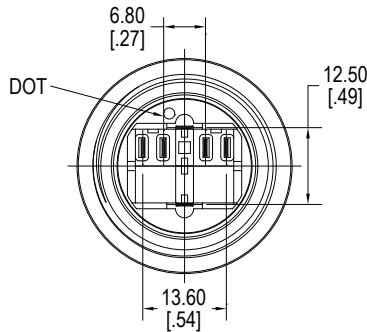
**Panel Cut-Out**

**30mm - available in Single Pole & Double Pole**

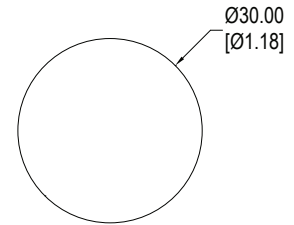
**Single Pole**



**Schematic**

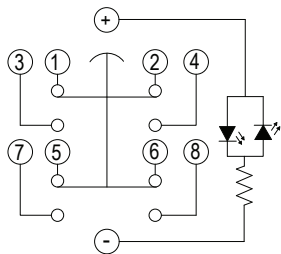


**Bottom View**

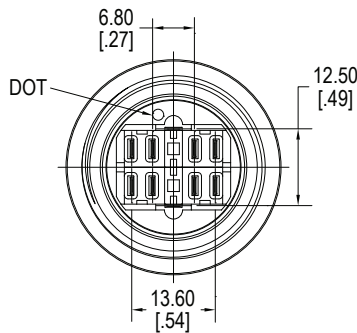


**Panel Cut-Out**

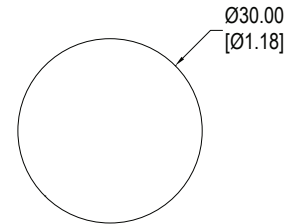
**Double Pole**



**Schematic**

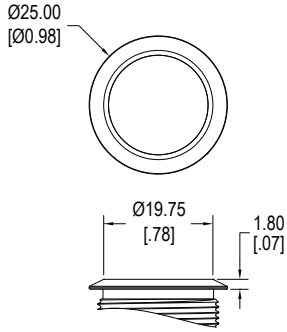


**Bottom View**

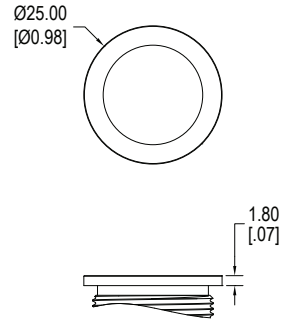


**Panel Cut-Out**

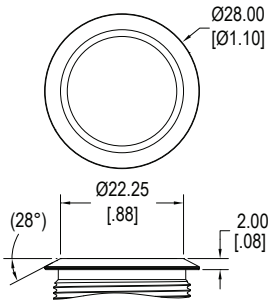
**Bezel Detail**



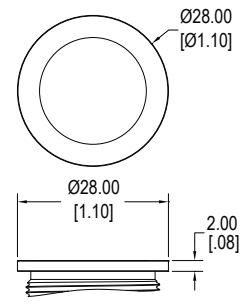
**22mm Standard**



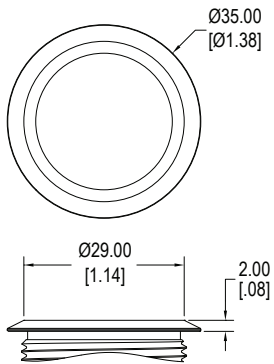
**22mm Flat**



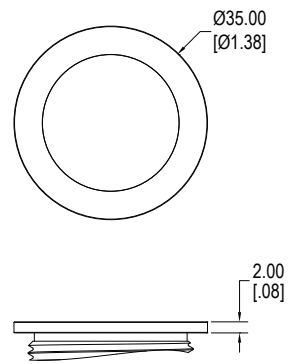
**25mm Standard**



**25mm Flat**

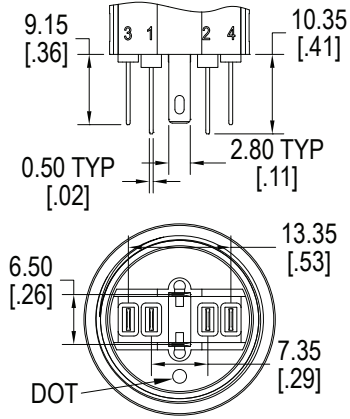


**30mm Standard**

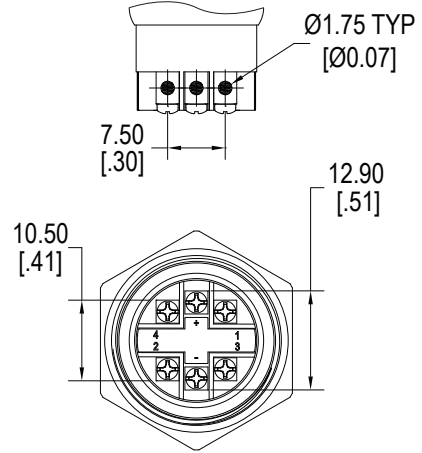


**30mm Flat**

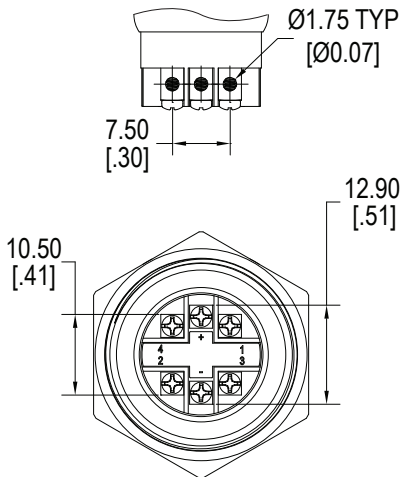
**Terminal Options**



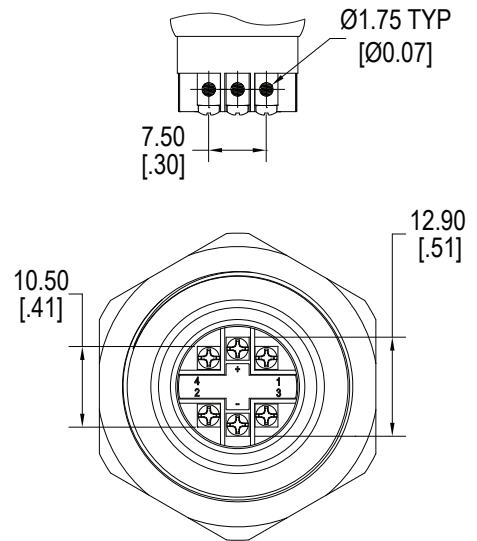
**Quick Connect - standard**



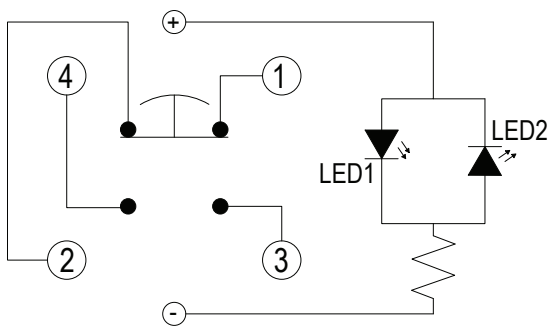
**Screw Terminals - 22mm**



**Screw Terminals - 25mm**

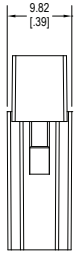
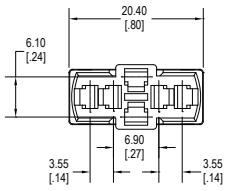


**Screw Terminals - 30mm**

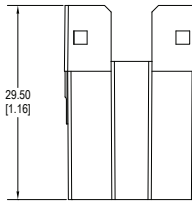
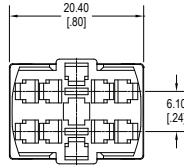


**Screw Terminal Schematic**

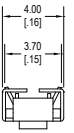
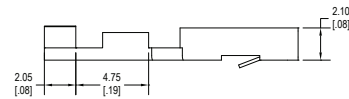
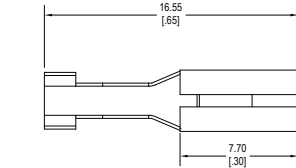
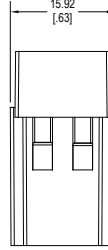
### Optional Terminal Block



**SS2001**



**SS2203**



**SS Terminal**

### LED Characteristics

LED Ratings		Color						Units
		R	Y	G	B	O	W	
Reverse Voltage	$V_R$	5	5	5	5	5	5	V
Forward Current (peak)	$I_{FS}$	120	120	160	160	120	160	mA
Reverse Current $V_R = 5V$	$I_R$	10	10	10	10	10	10	$\mu A$
Power Dissipation	$P_T$	80	80	120	120	80	120	mW
Forward Voltage (typ) $I_F = 20mA$	$V_F$	2.1	2.1	3.3	3.3	2.0	3.0	V
Luminous Intensity, $I_F = 20mA$	LI	120	120	170	100	120	700	mcd