

Illuminated Pushbutton

Specifications

Electrical Ratings	2A @ 24VDC 2A @ 125VAC 1A @ 250VAC	Operation Life	50,000 cycles typical
Sealing Degree	IP67	Dielectric Strength	2000Vrms min contact to contact 2000Vrms min contact to LED
Electrical Life	50,000 cycles typical	Insulation Resistance	≥ 100MΩ min
Contact Resistance	≤ 50mΩ initial	Operating Temperature	-25°C to 70°C
Actuation Force	550 ± 50gF	Storage Temperature	-25°C to 70°C
Actuation Travel	2.5 ± .3mm		

Materials

Actuator	Stainless Steel or Anodized Aluminum
LED Lens	Polycarbonate (PC)
Threaded Body	Stainless Steel
Terminal Support	Polybutylene Terephthalate (PBT)
Inner Switch Body	Polycarbonate (PC)
Contacts	Silver Alloy
Terminals	Brass, Epoxy Sealed
Hardware	One Hex Nut & One "O" Ring Supplied

Contact Factory for:

- Cable Assembly
- Shine Through Symbols
- Laser Etching

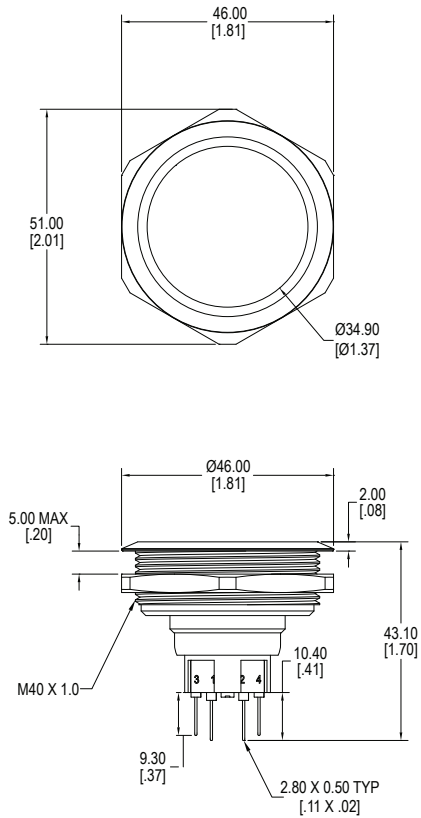


Ordering Information

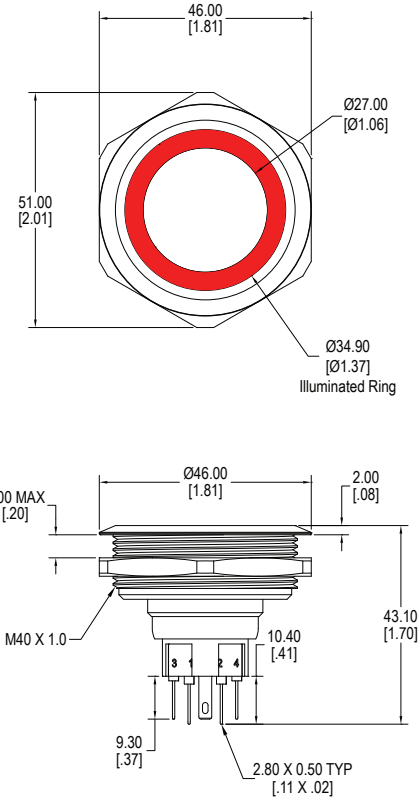
1. Series	DH40	1	N	B	S	B	12
DH40							
2. Number of Poles							
1 = SPST NO + SPST NC 2 = DPST NO + DPST NC							
3. Bezel Style							
Blank = Standard Bezel							
4. Latching Option							
N = Momentary L = Latching							
5. Actuator Style							
A = Flush actuator, non-illuminated B = Flush actuator, ring illuminated							
6. Actuator Finish							
B = Black anodized aluminum G = Green anodized aluminum R = Red anodized aluminum S = Brushed stainless steel U = Blue anodized aluminum Y = Yellow anodized aluminum							
7. LED Color							
Z = No LED RO = Red / Orange dual LED R = Red RY = Red / Yellow dual LED Y = Yellow RG = Red / Green dual LED G = Green RB = Red / Blue dual LED B = Blue OY = Orange / Yellow dual LED W = White OG = Orange / Green dual LED O = Orange OB = Orange / Blue dual LED YG = Yellow / Green dual LED YB = Yellow / Blue dual LED GB = Green / Blue dual LED							
8. LED Voltage							
Z = No LED N = No internal resistor in series with the LED 6 = 6V 12 = 12V 24 = 24V 110 = 110V 220 = 220V							
9. Terminal Option							
Blank = .100" Quick Connect, standard							

OPTIONAL Socket Housing available

Dimensions

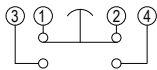


A - Flush, Non-Illuminated

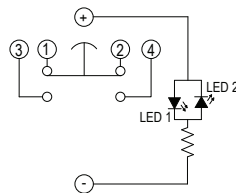


B - Flush, Ring Illuminated

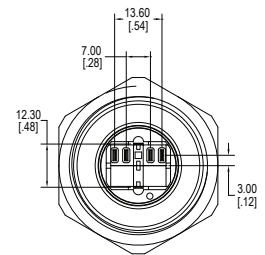
Schematics



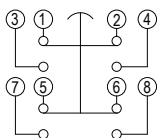
Single Pole no LED



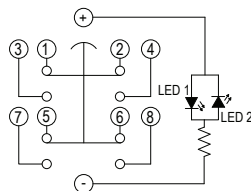
Single Pole with LED



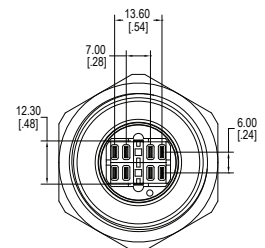
Single Pole Bottom View



Double Pole no LED

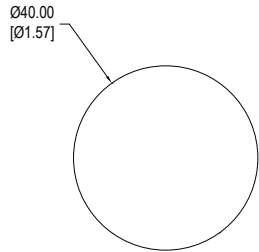


Double Pole with LED

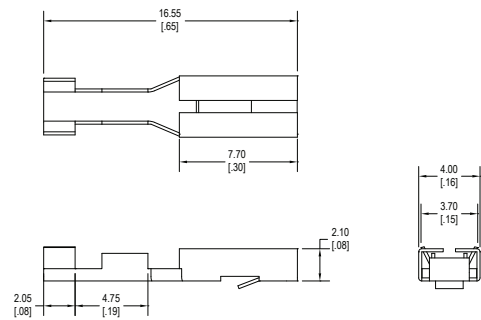
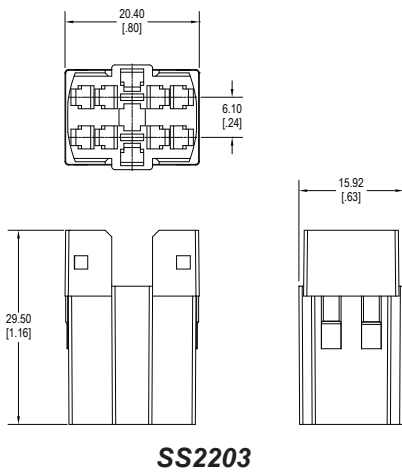


Double Pole Bottom View

Cutout



Optional Terminal Block



SS Terminal

LED Characteristics

LED Ratings		Color						Units
		R	Y	G	B	O	W	
Reverse Voltage	V_R	5	5	5	5	5	5	V
Forward Current (peak)	I_{FS}	120	120	160	160	120	160	mA
Reverse Current $V_R = 5V$	I_R	10	10	10	10	10	10	μA
Power Dissipation	P_T	80	80	120	120	80	120	mW
Forward Voltage (typ) $I_F = 20mA$	V_F	2.1	2.1	3.3	3.3	2.0	3.0	V
Luminous Intensity, $I_F = 20mA$	LI	120	120	170	100	120	700	mcd