

E222871

Subminiature Snap Action

Specifications

UL Electrical Ratings	3A@125/250VAC, General Purpose, T85, 10K cycles	Actuation Forces	100 ± 40gF
	3(0.5)A@125/250VAC, Resistive-Motor, T85, 10K cycles	Actuator Full Travel	1.0 ± 0.3mm
	3A@30VDC, Resistive, T85, 10K cycles	Dielectric Strength	500Vrms min. between contacts
Electrical Life	10,000 cycles, typical	Insulation Resistance	≥ 100MΩ min @ 250VDC
Mechanical Life	100,000 cycles, typical	Operating Temperature	-40°C to +85°C
Contact Resistance	≤ 50mΩ initial	Storage Temperature	-40°C to +85°C

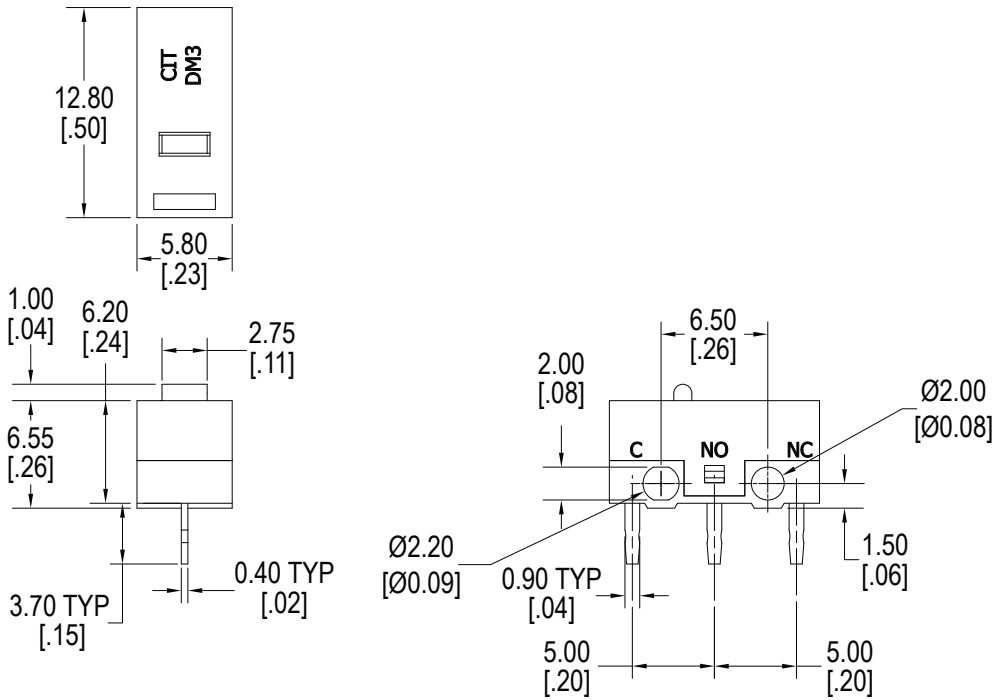
Materials

Actuator	Polybutylene Terephthalate (PBT), UL94-V0
Housing / Cover	Polybutylene Terephthalate (PBT), UL94-V0
Contacts	Copper Alloy
Terminals	Copper Alloy, Silver Plated

Ordering Information

1. Series	DM3	C	Q	F100	3	L00
DM3						
2. Circuit	C = SPDT					
3. Contact Material	Q = Silver					
4. Operating Force without lever	F100 = 100gF					
5. Termination	2 = Solder Lug 3 = PCB, standard 4 = Right Side PCB 5 = Left Side PCB					
6. Actuator (Lever)	Contact factory for other lever options					
	L00 = Pin plunger (no lever)					
	L01 = Hinge lever, 13.3mm					
	L03 = Roller lever, standard					
	L04 = Simulated roller, standard					

Dimensions

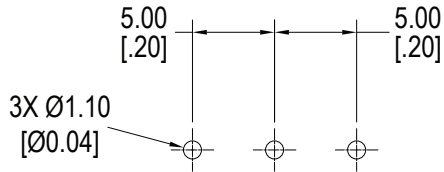


Switch Characteristics

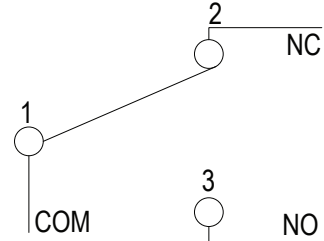
Actuators (Levers)	Operating Force (grams)	Release Force (grams) min.	Free Position all forces (mm)	Pre-Travel (PT) all forces max (mm)	Operating Position (OP) all forces (mm)	Over Travel min	Movement Differential all forces max (mm)
L00	100±40	50gF	7.50±0.3	0.7	5.50±0.5	0.1	0.2
L01	35±20	15gF	8.75±0.3	2.2	7.15±0.5	0.9	0.7
L03	40±20	15gF	14.10±0.5	1.8	12.90±0.8	0.8	0.6
L04	40±20	15gF	10.25±0.5	1.8	9.00±0.8	0.9	0.6

*Movement Differential (MD) : Distance or angle from the operating position to the release position.

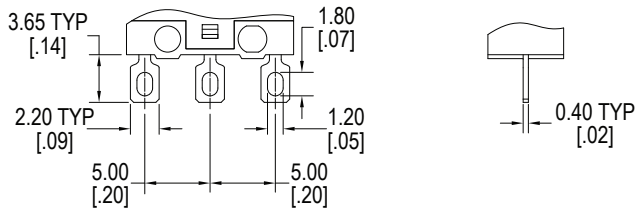
Panel Mounting



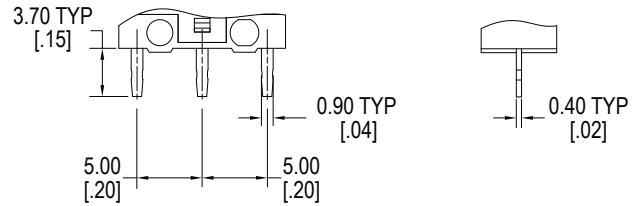
Schematic



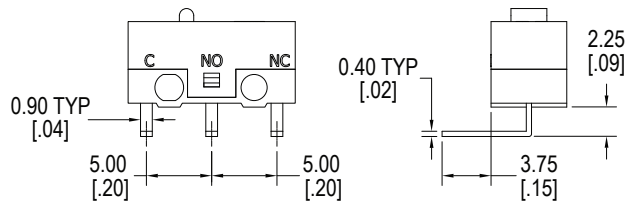
Terminal Options



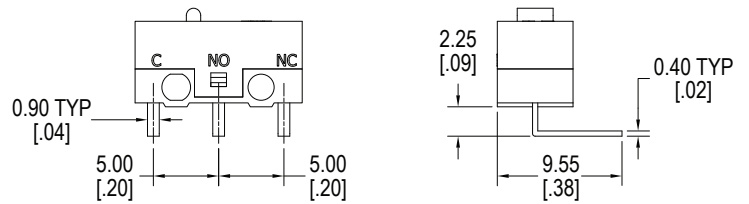
Solder Lug



PC Pin

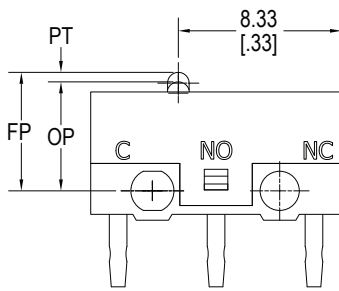
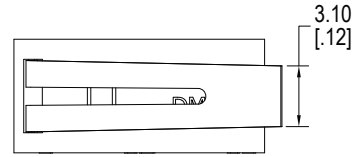
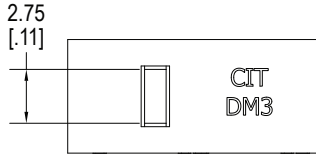


Left Side PC Pin

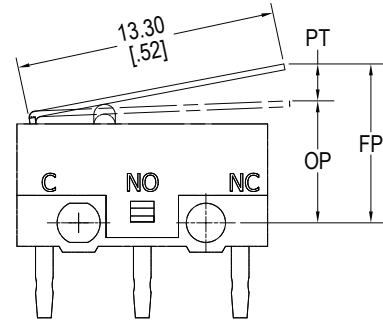


Right Side PC Pin

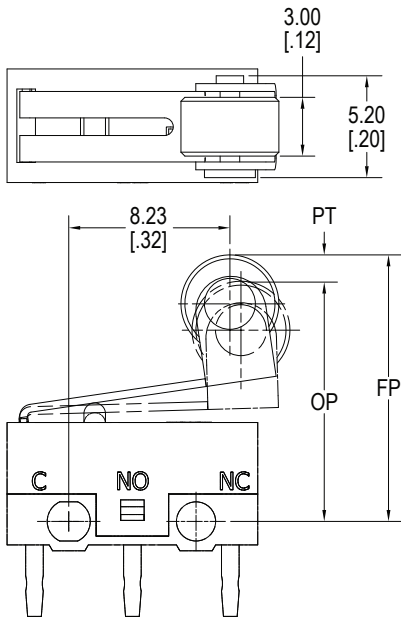
Levers



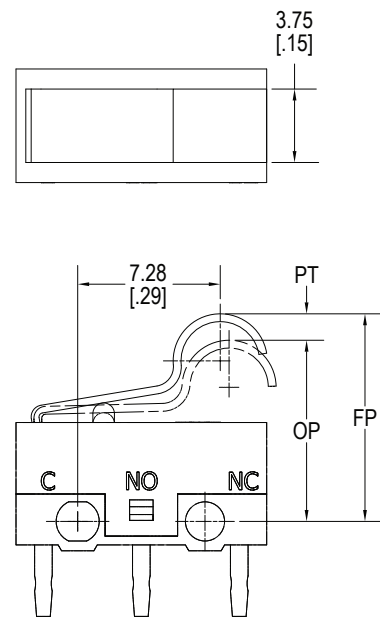
L00



L01



L03



L04