



E197852

31.7 x 26.9 x 20.3 mm

Features

- 1.8mm Contact Gap Available
- Wide Contact Terminals for Better Heat Transfer
- Made in Accordance to IEC 60335-1
- 1.8mm Contact Gap Model Meets IEC 62109-2
- Meets EN61095; AC7a at 85°C
- UL/cUL Recognized



Contact Data*

Contact Arrangement	1A = SPST
Contact Rating	1.8mm Contact Gap: 35A @ 250/277VAC; Resistive, 50K cycles, 85°C Standard Contact Gap: 50A @ 250/277VAC; General Purpose & Resistive, 20K cycles, 20°C
Contact Resistance	< 30 milliohms initial
Contact Material	AgSnO ₂
Maximum Switching Power	13850VA
Maximum Switching Voltage	277VAC
Maximum Switching Current	50A

Coil Data DC Parameters*

Coil Voltage VDC		Coil Resistance Ω +/- 10%	Pick Up Voltage VDC (max) 75% of rated voltage	Release Voltage VDC (min) 10% of rated voltage	Coil Power W	Operate Time ms	Release Time ms
Rated	Max						
12	15.6	2.25W	9.0	1.2	2.25W	≤15	≤10
24	31.2	64	18.0	2.4			
		256					

General Data*

Electrical Life @ rated load	100K cycles, average	
Mechanical Life	500K cycles, average	
Insulation Resistance	1000M Ω min. @ 500VDC initial	
Dielectric Strength	Coil to Contact	4000V rms min. @ sea level
	Contact to Contact	2500V rms min. @ sea level
Shock Resistance	98m/s ² for 11 ms	
Vibration Resistance	1.50mm double amplitude 10~55Hz	
Operating Temperature	-40°C to +125°C	
Storage Temperature	-40°C to +155°C	
Solderability	260°C for 5 s	
Weight	30g	

* Values can change due to the switching frequency, desired reliability levels, environmental conditions and in-rush load levels. It is recommended to test actual load conditions for the application. It is the user's responsibility to determine the performance suitability for their specific application. The use of any coil voltage less than the rated coil voltage may compromise the operation of the relay.

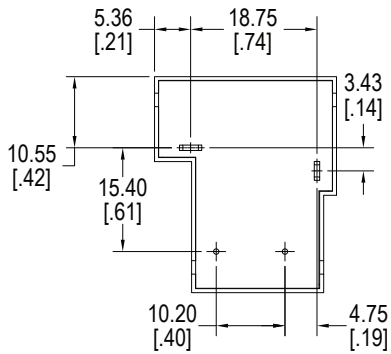
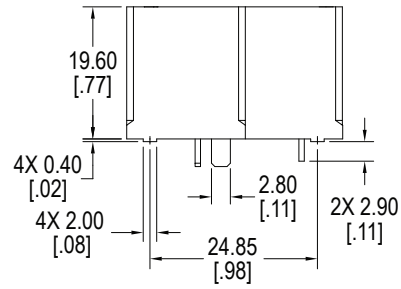
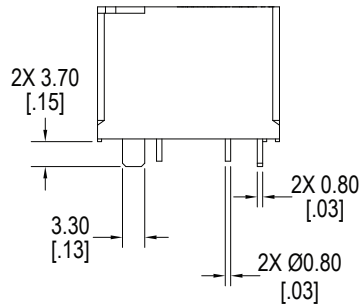
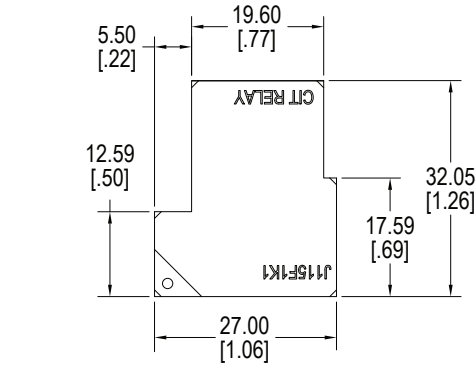


Ordering Information

1. Series	J115F1K	1A	H	12VDC	S	K	2.25
J115F1K							
2. Contact Arrangement	1A = SPST N.O.						
3. Contact Raging	H = 50A with standard contact gap; 35A with 1.8mm contact gap						
4. Coil Voltages	12VDC 24VDC						
5. Sealing Options	S = Sealed, standard						
6. Contact Material	Blank = AgSnO ₂						
7. Contact Gap	Blank = Standard Contact Gap K = 1.8mm Contact Gap						
8. Coil Power	2.25 = 2.25W						

Dimensions

Units = mm



Schematics & PC Layouts

Bottom Views

