

Specifications

Electrical Ratings	100mA @ 30VDC	Dielectric Strength	1000Vrms min
Electrical Life	100,000 cycles typical	Insulation Resistance	>100MΩ min
Contact Resistance	<50mΩ initial	Operating Temperature	-40°C to 85°C
Actuation Force	260 ± 30gF	Storage Temperature	-40°C to 85°C
Actuator Travel	1.0mm to lock 1.7mm to full travel		

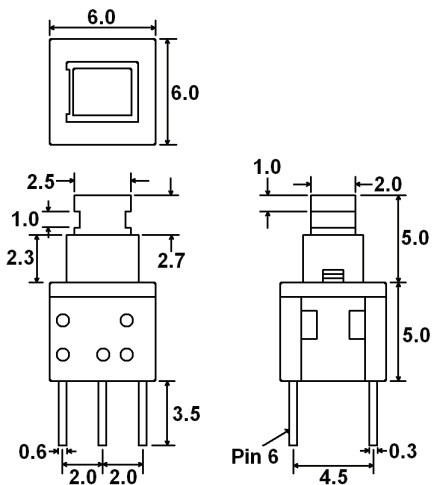
Materials

Actuator	Acetal
Housing	PBT
Cover	PBT
Latching Pin	Stainless Steel
Spring	Stainless Steel
Contacts	Phosphor Bronze, Silver Plated
Terminals	Brass, Silver Plated

Ordering Information

1. Series	LP2284	F260	N
LP2284			
2. Actuation Force	F260 = F260gF		
3. Latching			
N = Non-latching			
* Contact Factory for Latching Option			

Dimensions



Schematic & PC Layout

