

Illuminated Pushbutton

Specifications

Electrical Ratings	300mA @ 30VDC	Dielectric Strength	1000Vrms min
Electrical Life	20,000 cycles typical	Insulation Resistance	>100MΩ min
Contact Resistance	<50mΩ initial	Operating Temperature	-40°C to 85°C
Actuation Force	300 ± 100gF	Storage Temperature	-40°C to 85°C
Actuation Travel	3.3 ± .25mm		

Materials

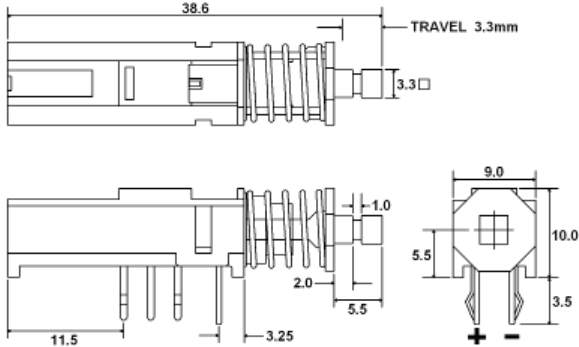
Actuator	Poly Carbonate (PC)
Housing	6/6 Nylon
Base	Polybutylene Terephthalate (PBT)
Spring	Stainless Steel
Contacts	Phosphor Bronze, Silver Plated
Terminals	Brass, Silver Plated

Ordering Information

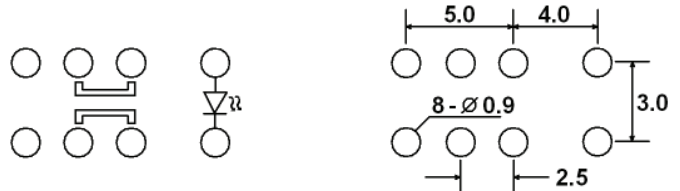
1. Series	LPH	4	L	RG	C170	MS04
LPH						
2. Switch Function						
2 = DPDT						
4 = 4PDT						
3. Latching Option						
N = Non-Latching (Momentary)						
L = Latching						
4. LED Color **For a bi-color LED, choose two color designators						
R = Red Example : RG						
G = Green						
Y = Yellow						
B = Blue						
5. Cap Option						
C150						
C170						
6. Cap Finishes	Laser Etching Option **Only available with MS cap finish					
Blank = No cap finish	01, 02, 03, 04, 05					
MS = Misty Silver	06, 07, 08, 09, 10					

Illuminated Pushbutton

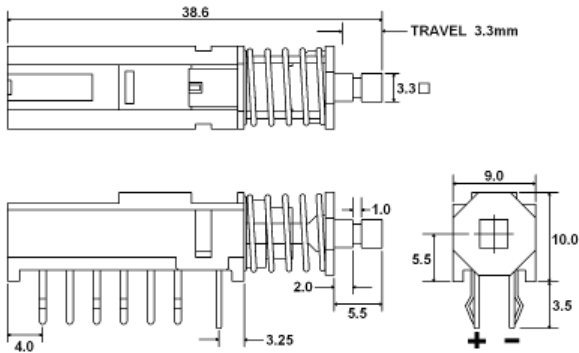
Dimensions - 2 Pole



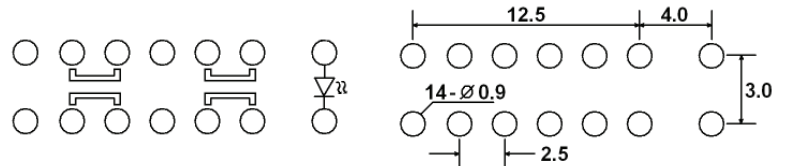
Schematic & PC Layout Bottom Views



Dimensions - 4 Pole



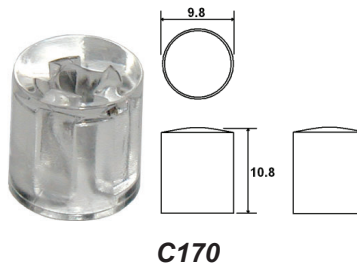
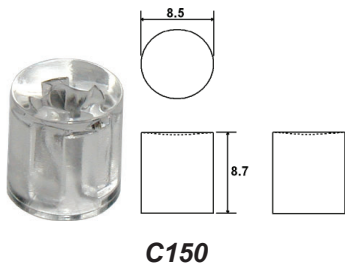
Schematic & PC Layout Bottom Views



LED Characteristics

LED Ratings		Color				Units
		R	G	Y	B	
Reverse Voltage	V_R	5	5	5	5	V
Forward Current (avg)	I_F	15	30	20	30	mA
Forward Current (peak)	I_{FS}	60	120	80	100	mA
Reverse Current $V_R = 5V$	I_R	10	10	10	10	μA
Power Dissipation	P_T	40	100	60	120	mW
Operating & Storage Temperature	T_A	-40 ~ +85				$^{\circ}C$
Forward Voltage (typ) $I_F = 20mA$	V_F	1.7	1.7	1.7	3.5	V
Forward Voltage (max) $I_F = 20mA$	V_F	2.6	2.6	2.6	4.0	V
Wavelength at Peak Emmission, $I_F = 20mA$	λ_P	697	565	585	470	nm
Spectral Line Half-Width, $I_F = 20mA$	$\Delta\lambda$	90	30	35	25	nm
Luminous Intensity, $I_F = 20mA$	LI	7.6	26	26	450	mcd
Viewing Angle	Θ	44	44	44	30	deg

Cap Options



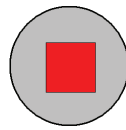
Laser Etching Options



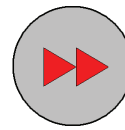
01



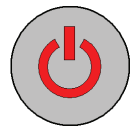
02



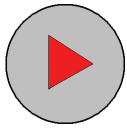
03



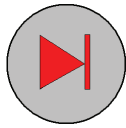
04



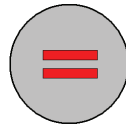
05



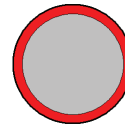
06



07



08



09



10