



Illuminated Right Angle Pushbutton

Specifications

Electrical Ratings	100mA @ 30VDC	Dielectric Strength	250Vrms min
Electrical Life	50,000 cycles typical	Insulation Resistance	>100MΩ min
Contact Resistance	<50mΩ initial	Operating Temperature	-40°C to 85°C
Actuation Force	500 ± 100gF	Storage Temperature	-40°C to 85°C
Actuation Travel	2.0± .2mm		

Materials

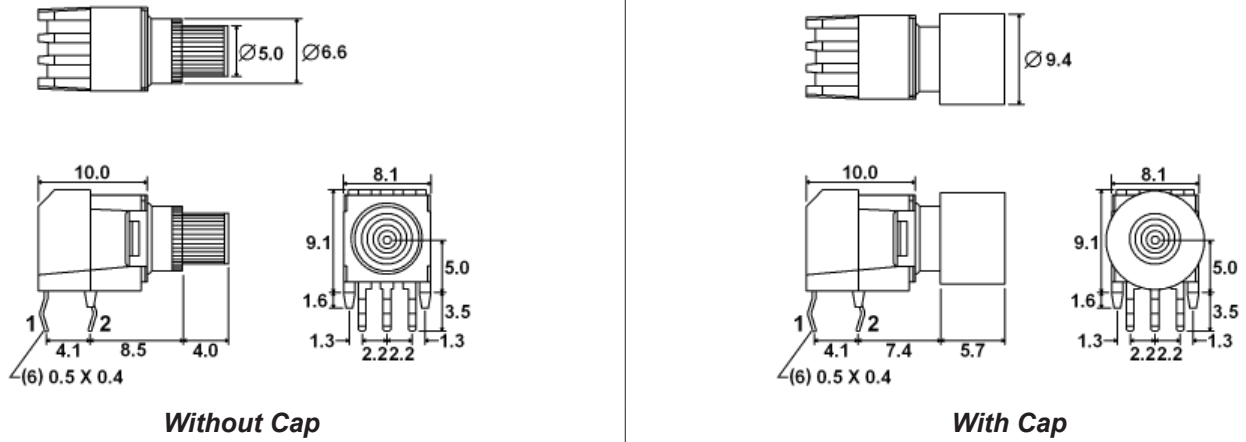
Actuator	PolyCarbonate
Cap	6/6 Nylon, glass filled
Cover	Steel, tin plated
Housing	6/6 Nylon, glass filled
Spacer	Rubber
Contacts	Stainless Steel, gold plated
Terminals	Brass, gold plated

Ordering Information

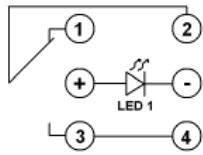
1. Series	MH	PG
MH		
MHC with black cap		
2. LED Colors		
X = No LED	R	RY = Red/Yellow dual LED
R = Red	G	RG = Red/Green dual LED
Y = Yellow	B	RB = Red/Blue dual LED
G = Green	Y	YG = Yellow/Green dual LED
PG = Pure Green**	B	YB = Yellow/Blue dual LED
B = Blue	G	GB = Green/Blue dual LED
W = White**		** White & Pure Green are only available as a single color LED

Illuminated Right Angle Pushbutton

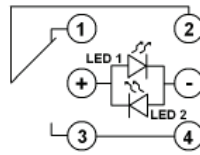
Dimensions



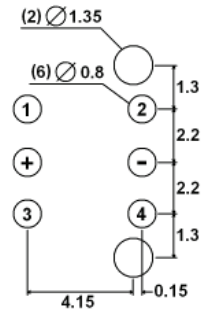
Schematic & PC Layout - Bottom Views



Single LED



Dual LED



LED Characteristics

LED Ratings		Color							Units
		R	Y	G	B	PG	W		
Reverse Voltage	V_R	5	5	5	5	5	5	V	
Forward Current (avg)	I_F	30	30	30	30	30	30	mA	
Forward Current (peak)	I_{FS}	90	60	80	100	100	100	mA	
Reverse Current $V_R = 5V$	I_R	10	10	10	50	50	50	μA	
Power Dissipation	P_T	75	75	60	120	120	120	mW	
Operating & Storage Temperature	T_A	-40 ~ +85						$^{\circ}C$	
Forward Voltage (typ) $I_F = 20mA$	V_F	1.5	1.7	1.7	3.5	3.5	3.5	V	
Forward Voltage (max) $I_F = 20mA$	V_F	2.4	2.6	2.6	4.0	4.0	4.0	V	
Wavelength at Peak Emission, $I_F = 20mA$	λ_P	630	590	585	470	525	n/a	nm	
Spectral Line Half-Width, $I_F = 20mA$	$\Delta\lambda$	20	20	35	30	36	n/a	nm	
Luminous Intensity, $I_F = 20mA$	LI	900	450	30	1800	1100	3000	mcd	
Viewing Angle	Θ	30	30	30	30	30	30	deg	