

Specifications

| | | | |
|---------------------|-----------------------|-----------------------|---------------|
| Electrical Ratings | 200mA @ 30VDC | Insulation Resistance | >100MΩ min |
| Electrical Life | 10,000 cycles typical | Actuation Force | 200 ± 100gF |
| Contact Resistance | <50mΩ initial | Actuation Travel | 2.5mm total |
| Dielectric Strength | 1000Vrms min | Operating Temperature | -40°C to 85°C |
| | | Storage Temperature | -40°C to 85°C |

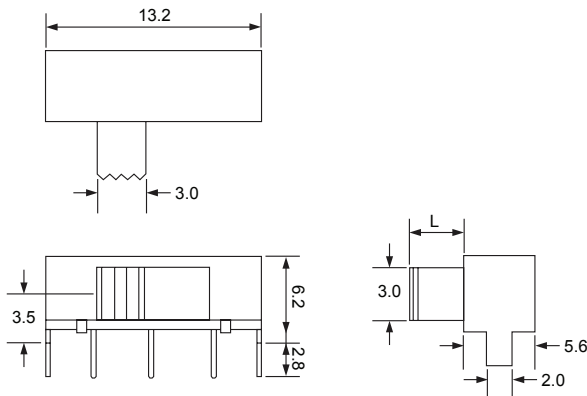
Materials

| | |
|-----------|--------------------------------|
| Actuator | 6/6 Nylon |
| Housing | Steel or Nylon |
| Base | Phenolic or PBT |
| Contacts | Phosphor Bronze, Silver Plated |
| Terminals | Brass, Silver Plated |

Ordering Information

| | | |
|--------------------|----------|----|
| 1. Series | MS1206 | L6 |
| | MS1206 | |
| 2. Actuator Length | | |
| | L3 = 3mm | |
| | L6 = 6mm | |

Dimensions



Schematic & PC Layout

