

Horizontal Pushbutton

Specifications

Electrical Ratings	200mA @ 30VDC	Actuation Force	200 ± 100gF
Electrical Life	10,000 cycles typical	Actuation Travel	2.0mm total
Contact Resistance	<50mΩ initial	Operating Temperature	-40°C to 85°C
Dielectric Strength	1000Vrms min	Storage Temperature	-40°C to 85°C
Insulation Resistance	>100MΩ min		

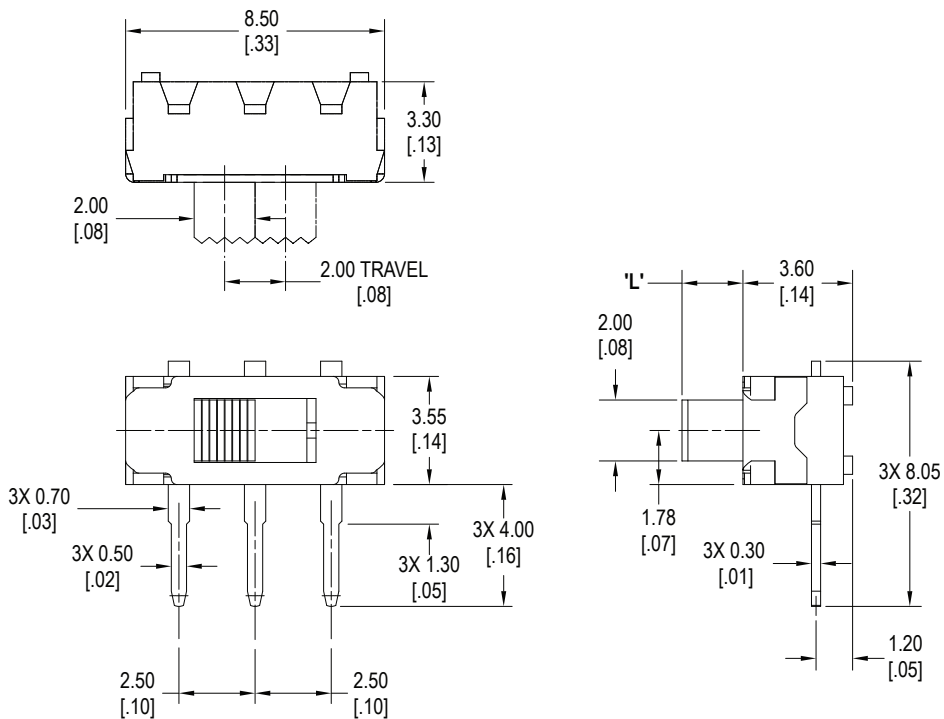
Materials

Actuator	6/6 Nylon
Housing	6/6 Nylon
Base	SST
Contacts	Phosphor Bronze, Silver Plated
Terminals	Brass, Silver Plated

Ordering Information

1. Series	MS1270	L2
	MS1270	
2. Actuator Length		
	L2 = 2mm	
	L4.4 = 4.4mm	

Dimensions



Schematic & PC Layout

