

Specifications

Electrical Ratings	200mA @ 30VDC	Actuation Force	200 ± 100gF
Electrical Life	10,000 cycles typical	Actuation Travel	2.0mm total
Contact Resistance	<50mΩ initial	Operating Temperature	-40°C to 85°C
Dielectric Strength	1000Vrms min	Storage Temperature	-40°C to 85°C
Insulation Resistance	>100MΩ min		

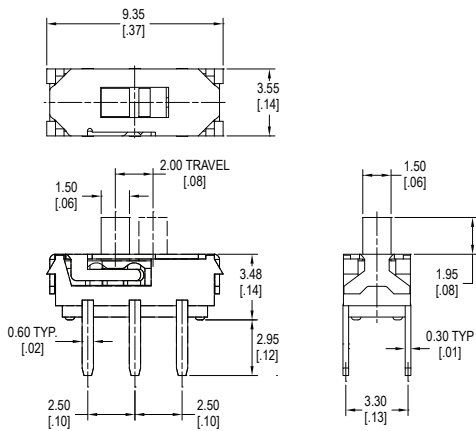
Materials

Actuator	PA6T Nylon
Housing	PA6T Nylon
Cover	Stainless Steel
Contacts	Copper Alloy, Silver Plated
Terminals	Copper Alloy, Silver Plated

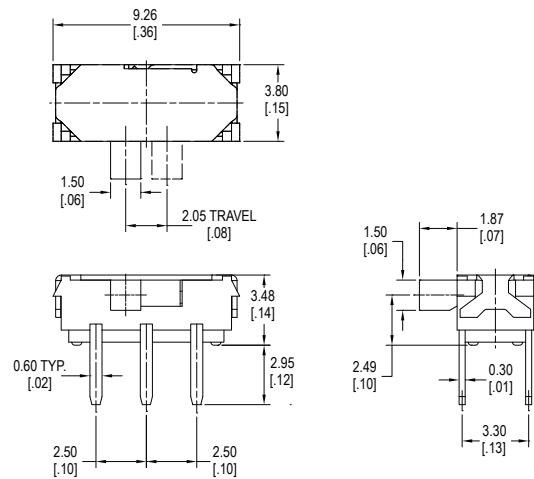
Ordering Information

1. Series	MS1271	2
	MS1271	
	MS1271R	
2. Actuator Color		
	1 = White	
	2 = Black	

Dimensions



MS1271



MS1271R

Schematic & PC Layout

