

Specifications

Electrical Ratings	300mA @ 30VDC	Actuation Force	200 ± 100gF
Electrical Life	10,000 cycles typical	Actuation Travel	4.0mm total
Contact Resistance	<50mΩ initial	Operating Temperature	-40°C to 85°C
Dielectric Strength	1000Vrms min	Storage Temperature	-40°C to 85°C
Insulation Resistance	>100MΩ min		

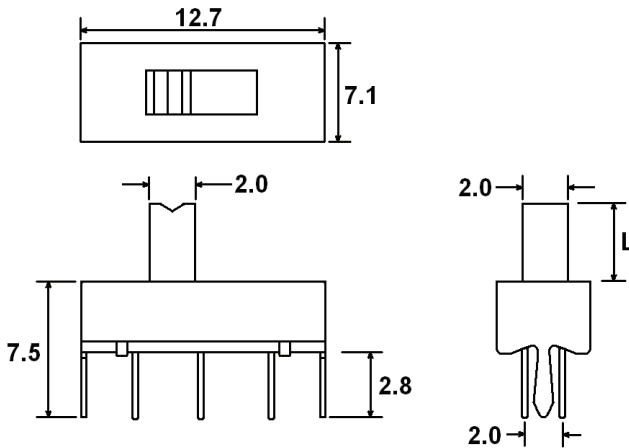
Materials

Actuator	6/6 Nylon
Housing	Steel
Base	Phenolic
Contacts	Phosphor Bronze, Silver Plated
Terminals	Brass, Silver Plated

Ordering Information

1. Series	MS2205	L6
MS2205		
2. Actuator Length		
L2 = 2mm		
L4 = 4mm		
L6 = 6mm		

Dimensions



Schematic & PC Layout

