



## Specifications

Switch Function	SPST, DPST
Electrical Ratings	UL61058-1 12A @ 125VAC, General Purpose, T105/55 12A @ 250VAC, General Purpose, T105/55 TV5 @ 125VAC

Electrical Life	10,000 cycles typical
Contact Resistance	≤ 50mΩ initial
Dielectric Strength	1500Vrms min
Insulation Resistance	≥ 100MΩ min
Operating Temperature	-40°C to +85°C
Storage Temperature	-40°C to +85°C
Sealing Degree	IP40

## Materials

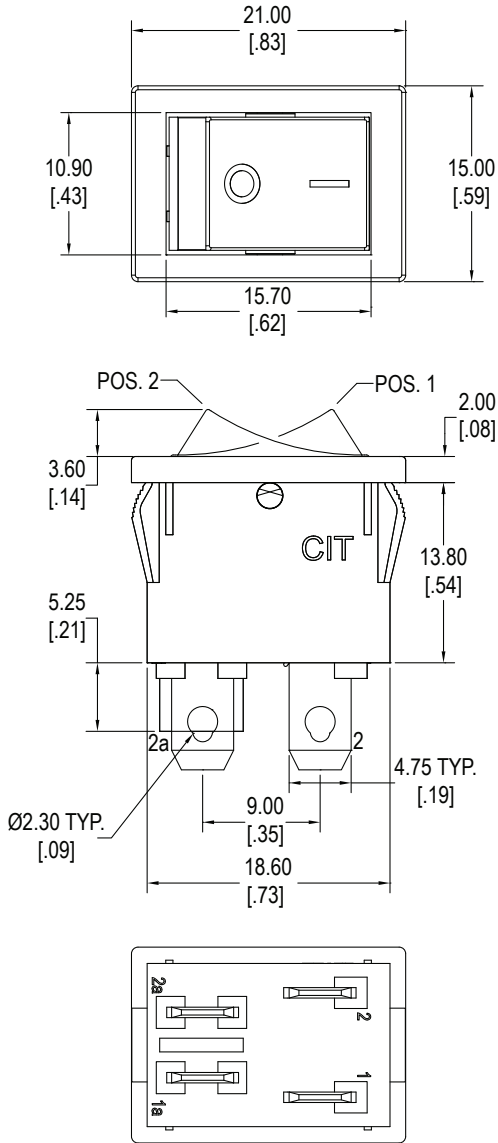
Housing	6/6 Nylon or Poly Carbonate
Actuator	6/6 Nylon
Contacts	Silver Alloy
Terminals	Brass, Silver Plated

## Ordering Information

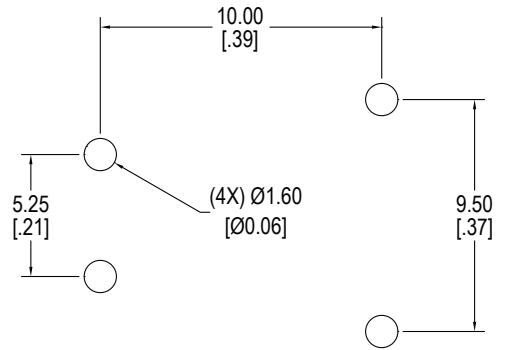
1. Series	RC	1	1	2	2	C	C	C	C
RC									
2. Number of Poles	1 = SPST **Illuminated option only available SPST 2 = DPST								
3. Switch Function	1 = OFF - ON								
4. Housing Color	1 = White      3 = Red 2 = Black      9 = Gray								
5. Actuator Colors	1 = White      1T = White Transparent **For use with Illuminated option only 2 = Black      3T = Red Transparent **For use with Illuminated option only 3 = Red      4T = Yellow Transparent **For use with Illuminated option only 6 = Orange    5T = Green Transparent **For use with Illuminated option only 7 = Blue      7T = Blue Transparent **For use with Illuminated option only 9 = Gray								
6. Actuator Marking	A      C      E B      D      F								
6. Actuator Marking Color	Blank = No Marking B = Black W = White R = Red								
8. Terminal Options	C = .187" Quick Connect/Solder Lug P = PC Pins R = Right Angle PC Pins L = Left Angle PC Pins								
9. Illumination Options	Blank = Non-Illuminated A = 125VAC Neon Bulb      Y12 = Yellow LED 12V      B12 = Blue LED 12V B = 250VAC Neon Bulb      Y24 = Yellow LED 24V      B24 = Blue LED 24V R12 = Red LED 12V      G12 = Green LED 12V      W12 = White LED 12V R24 = Red LED 24V      G24 = Green LED 24V      W24 = White LED 24V								

## Multi-Function Rocker

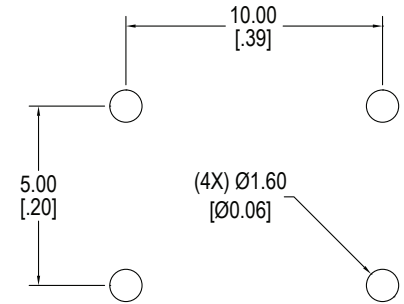
### Dimensions



### PC Layouts

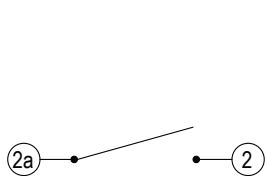


**P Terminals**



**R & L Terminals**

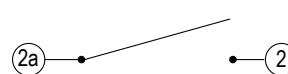
### Schematics



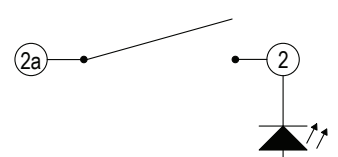
**SPST**



**DPST**



**Neon Lamp**



**LED & Resistor**

### Actuator Marking Options



**A**



**B**



**C**



**D**



**E**

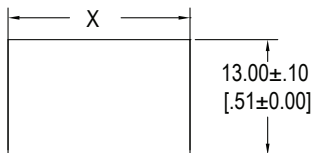


**F**

### LED Characteristics

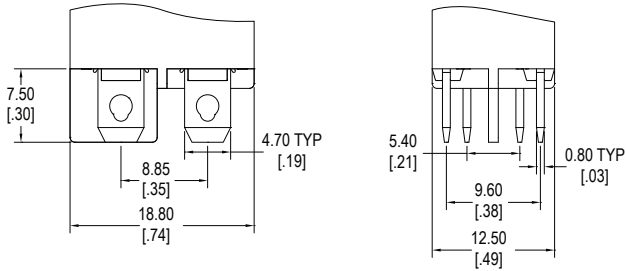
LED Ratings		Color					
		R	Y	G	B	W	Units
Reverse Voltage	$V_R$	5	5	5	5	5	V
Forward Current (avg)	$I_F$	30	30	30	30	30	mA
Reverse Current $V_R = 5V$	$I_R$	10	10	10	10	10	$\mu A$
Power Dissipation	$P_T$	56	56	46	72	76	mW
Operating & Storage Temperature	$T_A$	-40 ~ +85					$C^\circ$
Forward Voltage (min) $I_F = 20mA$	$V_F$	1.7	1.7	1.8	2.8	2.8	V
Forward Voltage (max) $I_F = 20mA$	$V_F$	2.4	2.4	2.4	3.4	3.4	V
Wavelength (min) $I_F = 20mA$	$\lambda_d$	620	585	565	460	n/a	nm
Wavelength (max) $I_F = 20mA$	$\lambda_d$	630	595	575	470	n/a	nm
Luminous Intensity, $I_F = 20mA$	LI	50	150	30	140	500	mcd
Viewing Angle	$\Theta$	50	50	70	120	70	deg

### Panel Cut Out

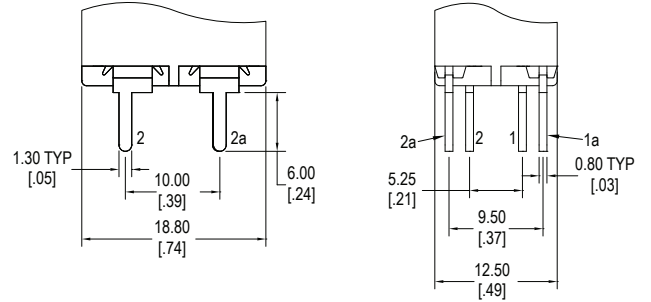


Panel Thickness	X
0.75 ~ 1.25	19.3 ± .1
1.25 ~ 2.00	19.5 ± .1
2.00 ~ 3.00	19.9 ± .1

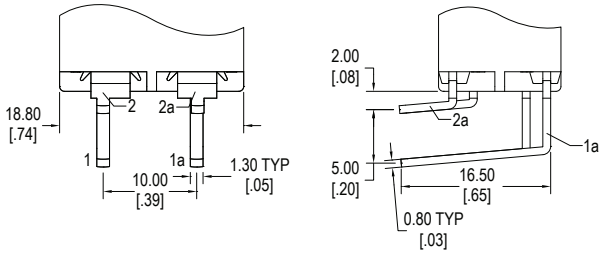
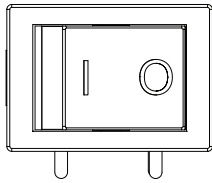
**Terminal Options**



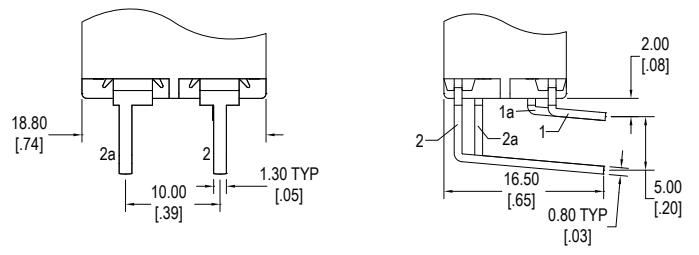
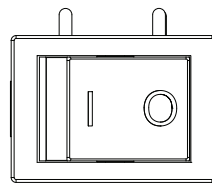
**C**



**P**



**L**



**R**