

Process Sealed Coded Rotary DIP - 10mm

Specifications

| | | | |
|---------------------|--------------------------|-----------------------|---------------|
| Electrical Ratings | 150mA @ 50VDC | Insulation Resistance | >100MΩ min |
| Electrical Life | 15,000 steps typical | Operating Temperature | -40°C to 85°C |
| Contact Resistance | <80mΩ initial | Storage Temperature | -40°C to 85°C |
| Rotational Torque | 700gF maximum | Sealing Degree | IP67 |
| Dielectric Strength | 250Vrms min. @ sea level | | |

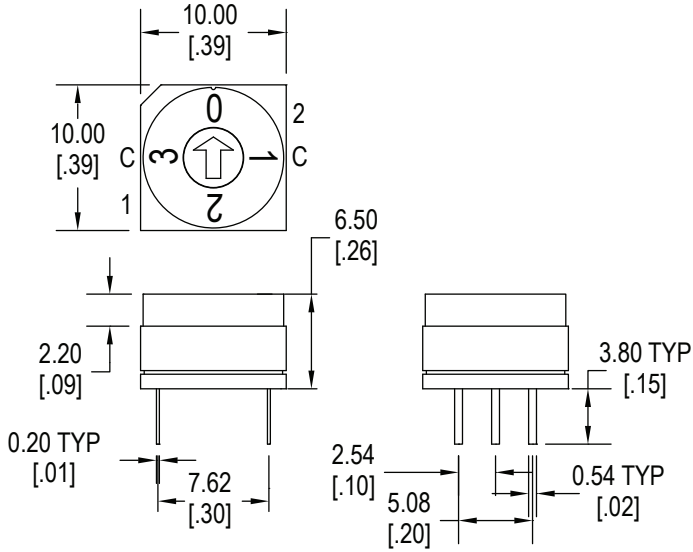
Materials

| | |
|-----------|--|
| Actuator | Through-Hole: POM; Surface Mount: PA66 + SUS |
| Cover | Through-Hole: PA66; Surface Mount: LCP |
| Housing | Through-Hole: PA66; Surface Mount: LCP |
| Contacts | Copper Alloy, Gold over Nickel Plated |
| Terminals | Copper Alloy, Tin Plated |

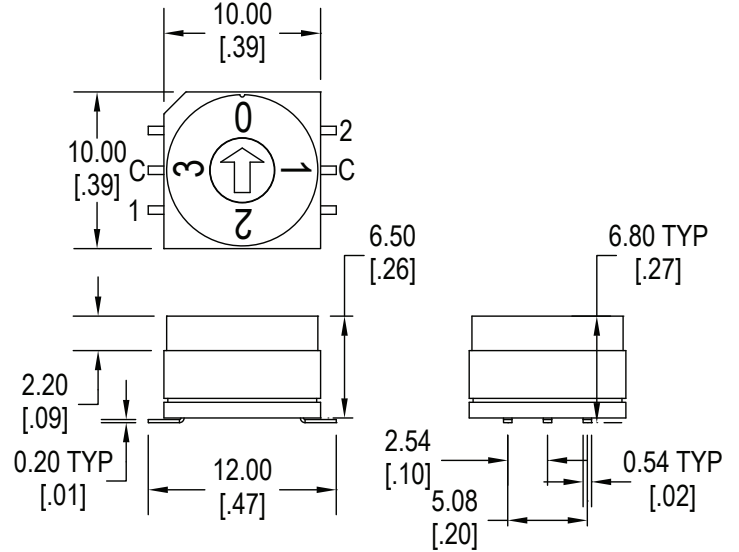
Ordering Information

| | | | | | | | |
|---|------|---|---|----|---|---|---|
| 1. Series | RD10 | R | A | 16 | R | T | T |
| RD10 | | | | | | | |
| 2. Housing Shape R = Round A = Octagonal | | | | | | | |
| 3. Actuator Style A = Arrow, flush B = Arrow, knurled, 7.3mm | | | | | | | |
| 4. Number of Positions 4 = 4 position 6 = 6 position 8 = 8 position 10 = 10 position 16 = 16 position | | | | | | | |
| 5. Code Options R = Real Code C = Complementary Code | | | | | | | |
| 6. Terminals T = Through-Hole PC pin G = Gull Wing, surface mount VA = Right Angle PC pin, 2.54mm spacing VB = Right Angle PC pin, 5.08mm spacing | | | | | | | |
| 7. Packaging Options T = Tube R = Tape & Reel, for use with G terminals only | | | | | | | |

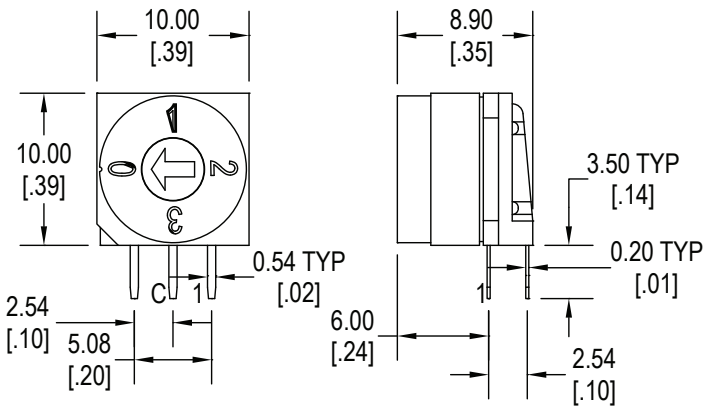
Dimensions - 4 Position



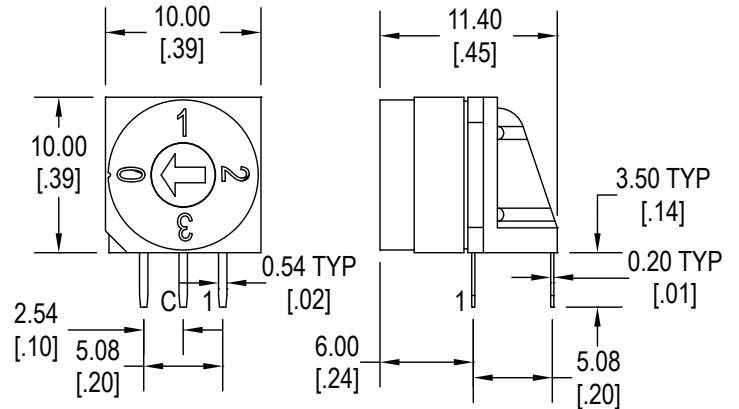
T Terminals



G Terminals

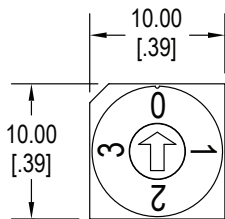


VA Terminals

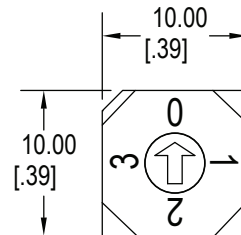


VB Terminals

Housing Options

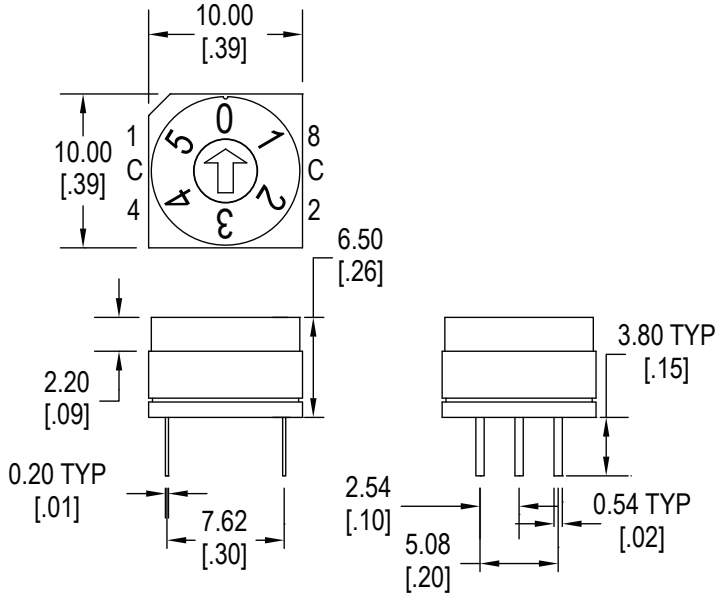


R - Round

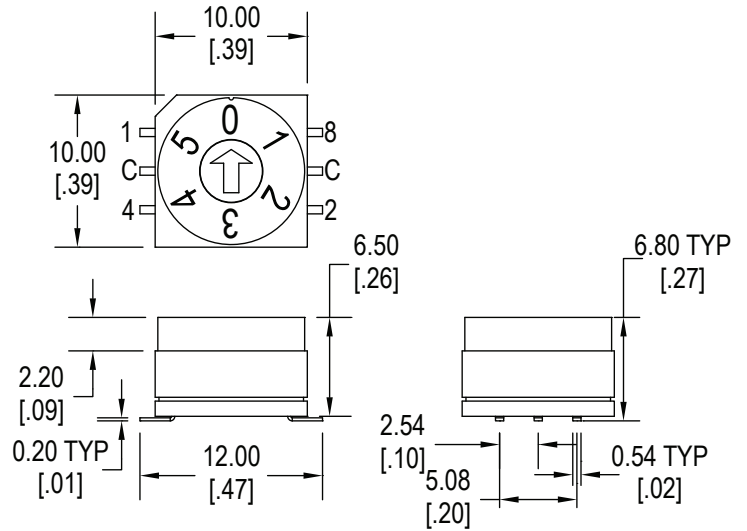


A - Octagonal

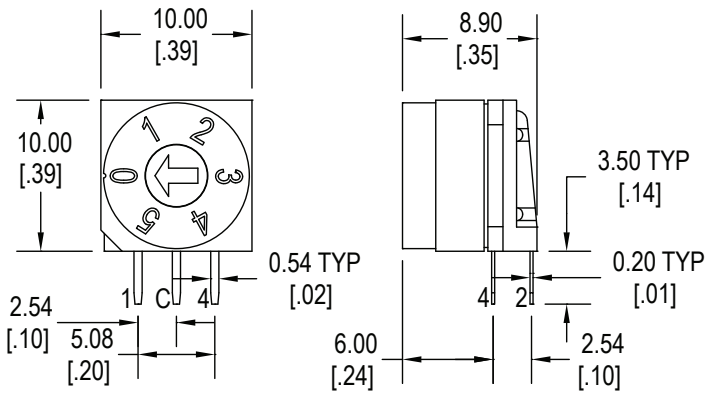
Dimensions - 6 Position



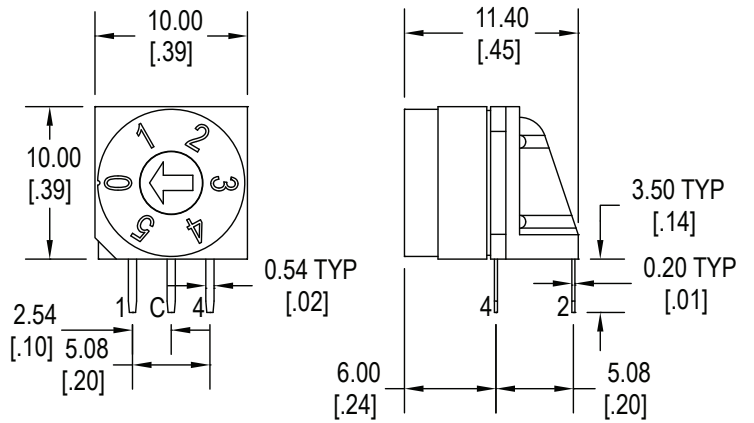
T Terminals



G Terminals

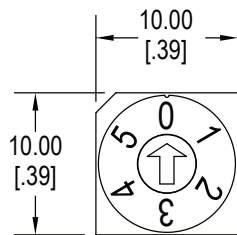


VA Terminals

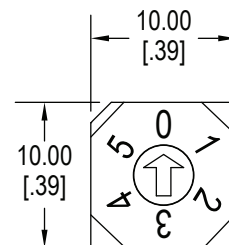


VB Terminals

Housing Options

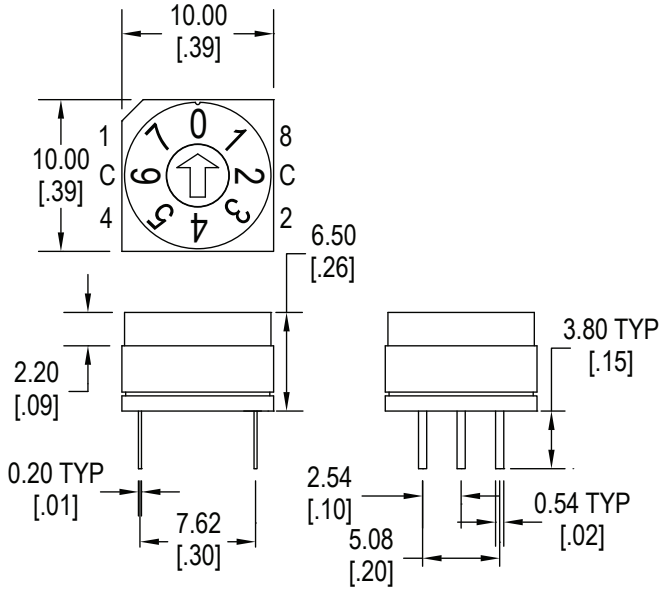


R - Round

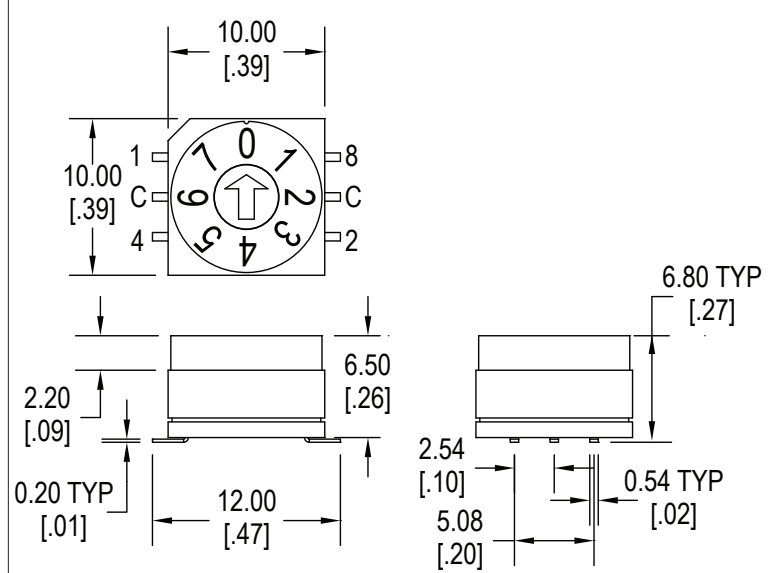


A - Octagonal

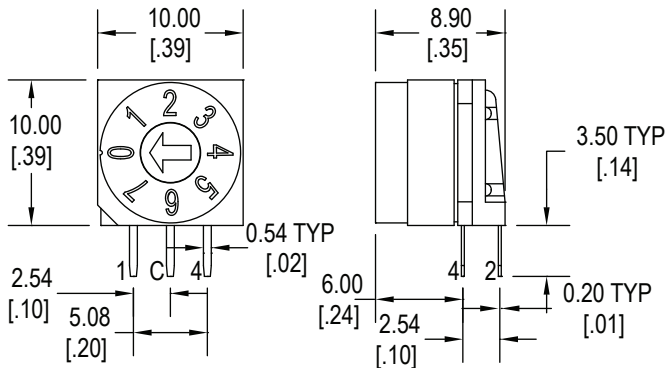
Dimensions - 8 Position



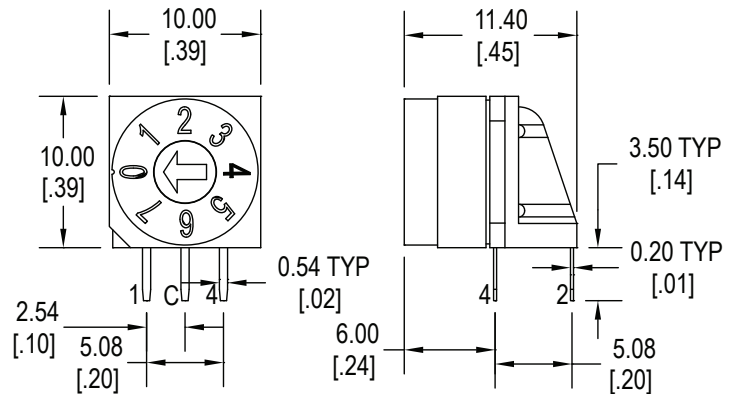
T Terminals



G Terminals

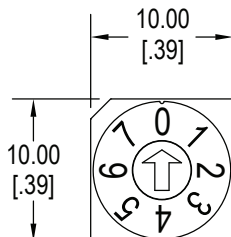


VA Terminals

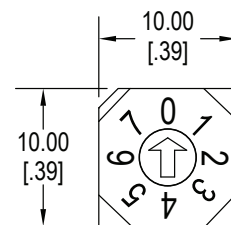


VB Terminals

Housing Options

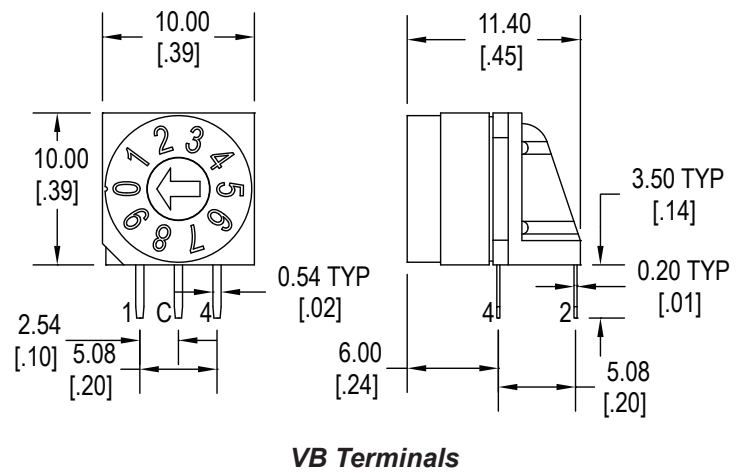
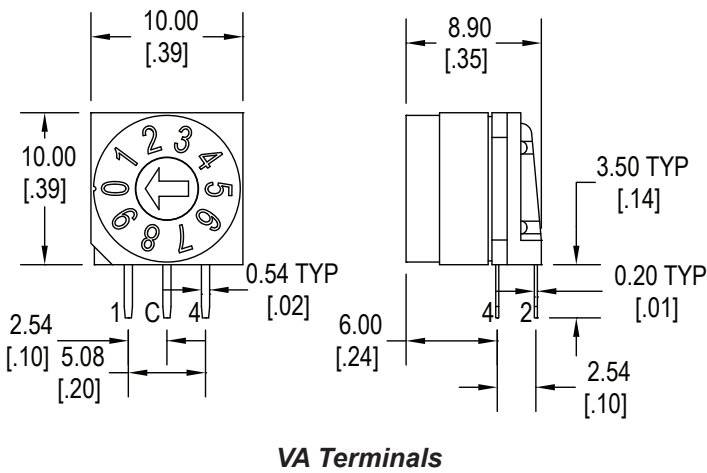
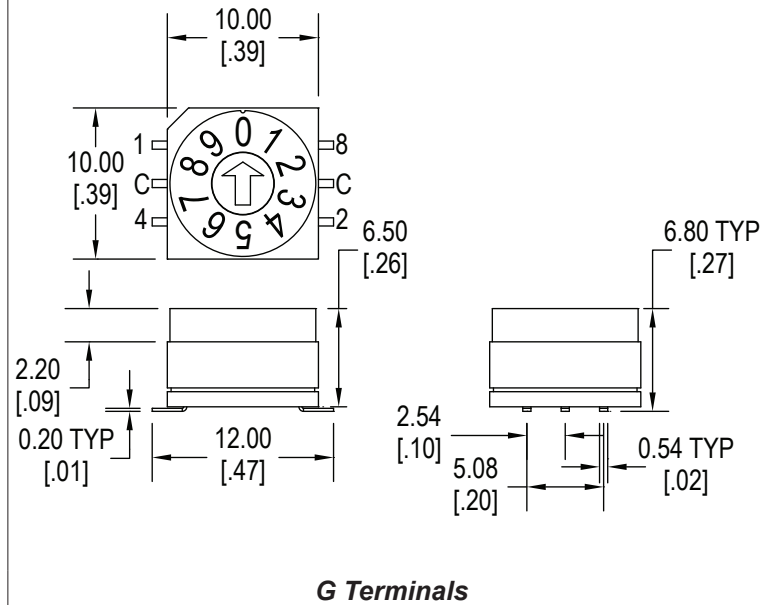
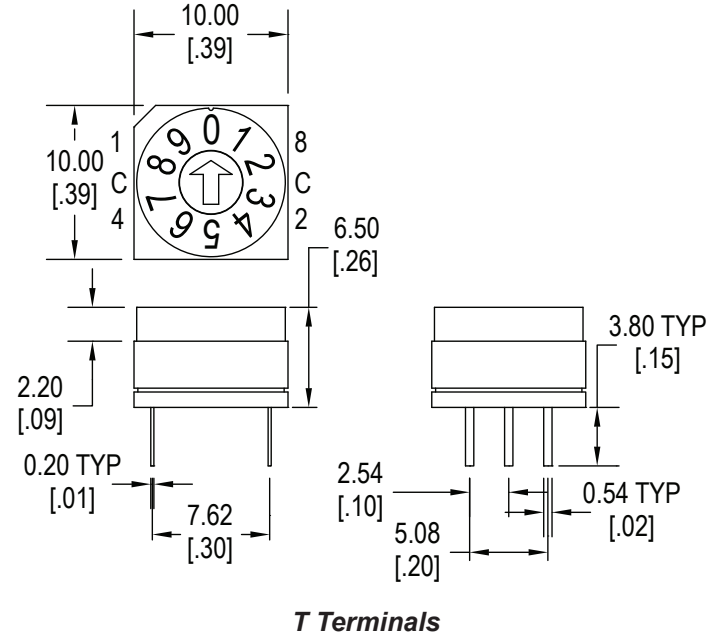


R - Round

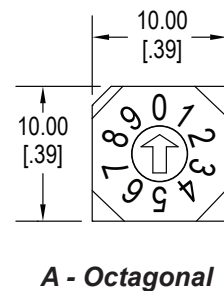
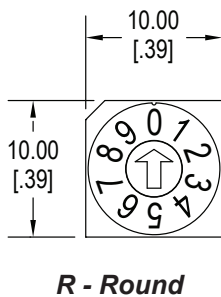


A - Octagonal

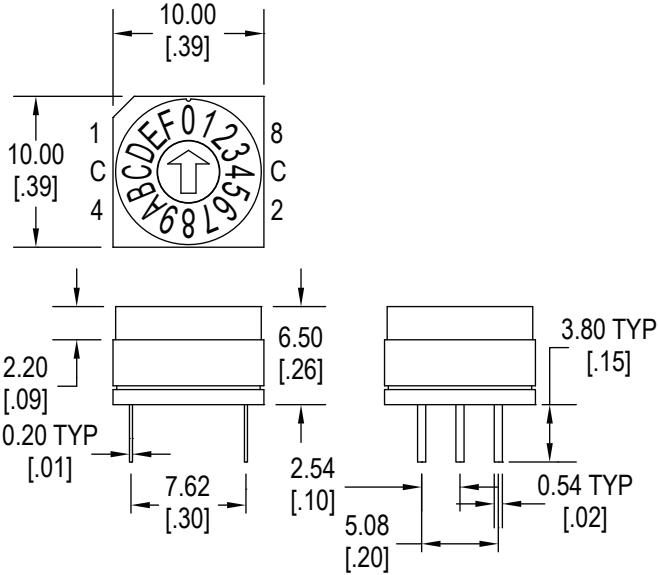
Dimensions - 10 Position



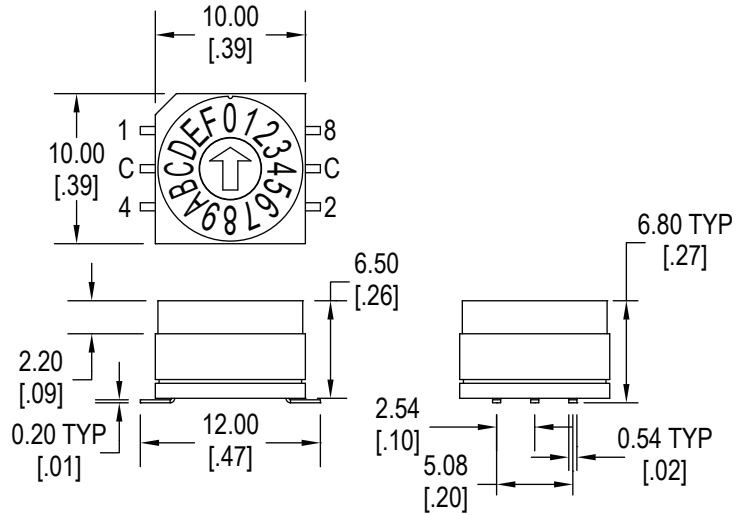
Housing Options



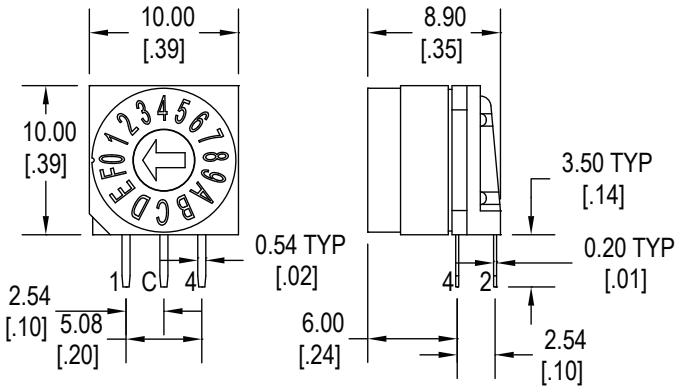
Dimensions - 16 Position



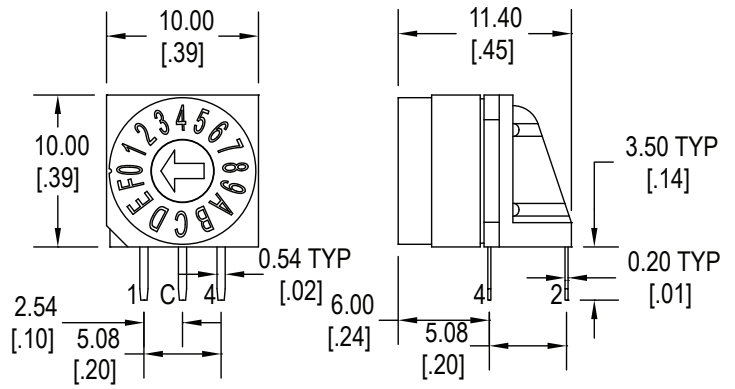
T Terminals



G Terminals

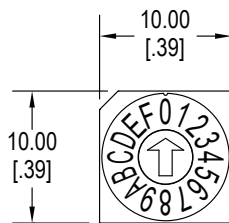


VA Terminals

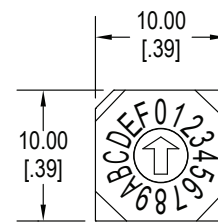


VB Terminals

Housing Options

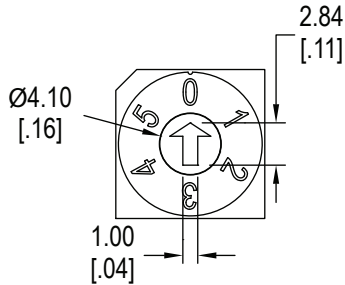


R - Round

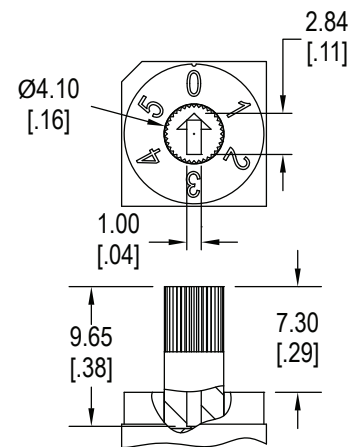


A - Octagonal

Actuator Options

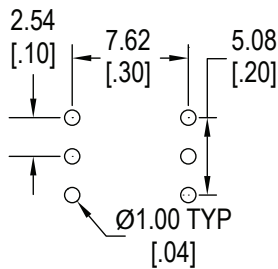


A - Arrow, Flush

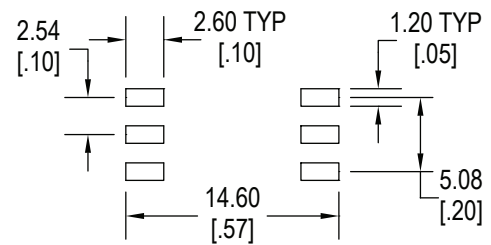


B - Arrow, Knurled 7.3mm

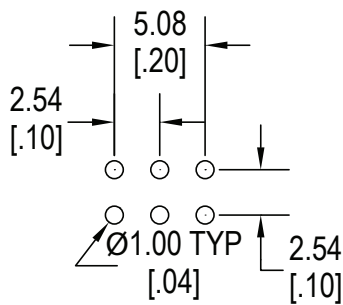
PC Layouts



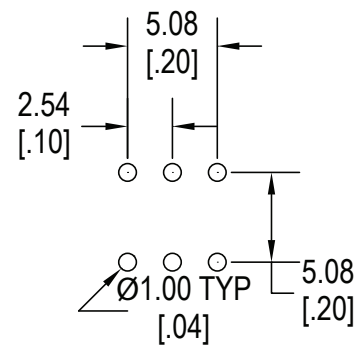
T - Through Hole PC Pin



G - Gull Wing, Surface Mount



VA - Right Angle PC Pin, 2.54mm spacing



VB - Right Angle PC Pin, 5.08mm spacing

Code Options

| 4 Position Real Code | | | |
|----------------------|---|---|---|
| Position | C | 1 | 2 |
| 0 | ♦ | | |
| 1 | ♦ | ♦ | |
| 2 | ♦ | | ♦ |
| 3 | ♦ | ♦ | ♦ |

4 Position, BCD

| 4 Position Complement Code | | | |
|----------------------------|---|---|---|
| Position | C | 1 | 2 |
| 0 | ♦ | ♦ | ♦ |
| 1 | ♦ | | ♦ |
| 2 | ♦ | ♦ | |
| 3 | ♦ | | |

4 Position, BCD Complement

| 6 Position Real Code | | | | | |
|----------------------|---|---|---|---|---|
| Position | C | 1 | 2 | 4 | 8 |
| 0 | ♦ | | | | |
| 1 | ♦ | ♦ | | | |
| 2 | ♦ | | ♦ | | |
| 3 | ♦ | ♦ | ♦ | | |
| 4 | ♦ | | | ♦ | |
| 5 | ♦ | ♦ | | ♦ | |

6 Position, BCD

| 6 Position Complement Code | | | | | |
|----------------------------|---|---|---|---|---|
| Position | C | 1 | 2 | 4 | 8 |
| 0 | ♦ | ♦ | ♦ | ♦ | ♦ |
| 1 | ♦ | | ♦ | ♦ | ♦ |
| 2 | ♦ | ♦ | | ♦ | ♦ |
| 3 | ♦ | | | ♦ | ♦ |
| 4 | ♦ | ♦ | ♦ | | ♦ |
| 5 | ♦ | | ♦ | | ♦ |

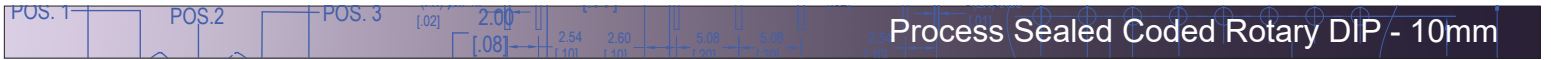
6 Position, BCD Complement

| 8 Position Real Code | | | | | |
|----------------------|---|---|---|---|---|
| Position | C | 1 | 2 | 4 | 8 |
| 0 | ♦ | | | | |
| 1 | ♦ | ♦ | | | |
| 2 | ♦ | | ♦ | | |
| 3 | ♦ | ♦ | ♦ | | |
| 4 | ♦ | | | ♦ | |
| 5 | ♦ | ♦ | | ♦ | |
| 6 | ♦ | | ♦ | ♦ | |
| 7 | ♦ | ♦ | ♦ | ♦ | |

8 Position, BCD

| 8 Position Complement Code | | | | | |
|----------------------------|---|---|---|---|---|
| Position | C | 1 | 2 | 4 | 8 |
| 0 | ♦ | ♦ | ♦ | ♦ | ♦ |
| 1 | ♦ | | ♦ | ♦ | ♦ |
| 2 | ♦ | ♦ | | ♦ | ♦ |
| 3 | ♦ | | | ♦ | ♦ |
| 4 | ♦ | ♦ | ♦ | | ♦ |
| 5 | ♦ | | ♦ | | ♦ |
| 6 | ♦ | ♦ | | ♦ | ♦ |
| 7 | ♦ | | | | ♦ |

8 Position, BCD Complement



Process Sealed Coded Rotary DIP - 10mm

Code Options

| 10 Position Real Code | | | | | |
|-----------------------|---|---|---|---|---|
| Position | C | 1 | 2 | 4 | 8 |
| 0 | ♦ | | | | |
| 1 | ♦ | ♦ | | | |
| 2 | ♦ | | ♦ | | |
| 3 | ♦ | ♦ | ♦ | | |
| 4 | ♦ | | | ♦ | |
| 5 | ♦ | ♦ | | ♦ | |
| 6 | ♦ | | ♦ | ♦ | |
| 7 | ♦ | ♦ | ♦ | ♦ | |
| 8 | ♦ | | | | ♦ |
| 9 | ♦ | ♦ | | | ♦ |

10 Position, BCD

| 10 Position Complement Code | | | | | |
|-----------------------------|---|---|---|---|---|
| Position | C | 1 | 2 | 4 | 8 |
| 0 | ♦ | ♦ | ♦ | ♦ | ♦ |
| 1 | ♦ | | ♦ | ♦ | ♦ |
| 2 | ♦ | ♦ | | ♦ | ♦ |
| 3 | ♦ | | | ♦ | ♦ |
| 4 | ♦ | ♦ | ♦ | | ♦ |
| 5 | ♦ | | ♦ | | ♦ |
| 6 | ♦ | ♦ | | | ♦ |
| 7 | ♦ | | | | ♦ |
| 8 | ♦ | ♦ | ♦ | ♦ | |
| 9 | ♦ | | ♦ | ♦ | |

10 Position, BCD Complement

| 16 Position Real Code | | | | | | |
|-----------------------|---|---|---|---|---|---|
| Position | C | 1 | 2 | 4 | 8 | - |
| 0 | ♦ | | | | | 0 |
| 1 | ♦ | ♦ | | | | 1 |
| 2 | ♦ | | ♦ | | | 2 |
| 3 | ♦ | ♦ | ♦ | | | 3 |
| 4 | ♦ | | | ♦ | | 4 |
| 5 | ♦ | ♦ | | ♦ | | 5 |
| 6 | ♦ | | ♦ | ♦ | | 6 |
| 7 | ♦ | ♦ | ♦ | ♦ | | 7 |
| 8 | ♦ | | | | ♦ | 8 |
| 9 | ♦ | ♦ | | | ♦ | 9 |
| 10 | ♦ | | ♦ | | ♦ | A |
| 11 | ♦ | ♦ | ♦ | | ♦ | B |
| 12 | ♦ | | | ♦ | ♦ | C |
| 13 | ♦ | ♦ | | ♦ | ♦ | D |
| 14 | ♦ | | ♦ | ♦ | ♦ | E |
| 15 | ♦ | ♦ | ♦ | ♦ | ♦ | F |

16 Position, BCD

| 16 Position Complement Code | | | | | | |
|-----------------------------|---|---|---|---|---|---|
| Position | C | 1 | 2 | 4 | 8 | - |
| 0 | ♦ | ♦ | ♦ | ♦ | ♦ | 0 |
| 1 | ♦ | | ♦ | ♦ | ♦ | 1 |
| 2 | ♦ | ♦ | | ♦ | ♦ | 2 |
| 3 | ♦ | | | ♦ | ♦ | 3 |
| 4 | ♦ | ♦ | ♦ | | ♦ | 4 |
| 5 | ♦ | | ♦ | | ♦ | 5 |
| 6 | ♦ | ♦ | | | ♦ | 6 |
| 7 | ♦ | | | | ♦ | 7 |
| 8 | ♦ | ♦ | ♦ | ♦ | | 8 |
| 9 | ♦ | | ♦ | ♦ | | 9 |
| 10 | ♦ | ♦ | | ♦ | | A |
| 11 | ♦ | | | ♦ | | B |
| 12 | ♦ | ♦ | ♦ | | | C |
| 13 | ♦ | | ♦ | | | D |
| 14 | ♦ | ♦ | | | | E |
| 15 | ♦ | | | | | F |

16 Position, BCD Complement