

Miniature Horizontal Pushbutton

Specifications

Electrical Ratings	100mA @ 30VDC	Insulation Resistance	>100MΩ min
Electrical Life	20,000 cycles typical	Operating Temperature	-20°C to 70°C
Contact Resistance	<50mΩ initial @ 2-4VDC, 100mA	Storage Temperature	-40°C to 85°C
Dielectric Strength	1250Vrms min		

Materials

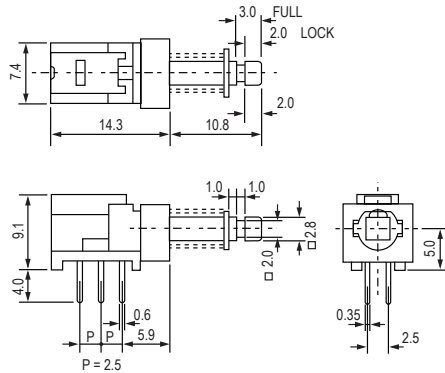
Actuator	POM, UL94-HB
Housing	PBT, UL94-HB
Terminal Base	6/6 Nylon, UL94-HB
Contacts	Phosphor Bronze, Silver Plated
Terminals	Brass, Silver Plated
Chassis	Steel
Spring	Steel
Latching Pin	Steel

Ordering Information

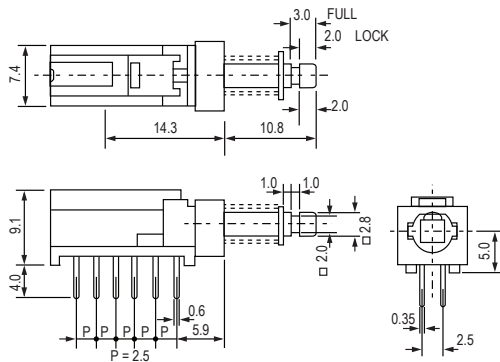
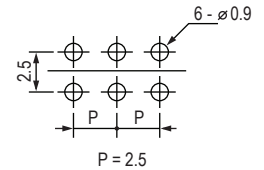
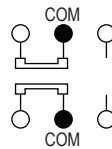
1. Series	RPH	2	N	P	C012
RPH					
2. Number of Poles					
2 = DPDT					
4 = 4PDT					
6 = 6PDT					
3. Switch Function					
N = Non-latching					
L = Latching					
4. Terminal Options					
P = PC Terminals					
S = Snap-In PC Terminals					
5. Mounting Options					
Blank = No chassis (standard)					
C = Mounting chassis, single stage					
Z = PC mounting bracket					
6. Caps	Cap Colors				
Blank = No Cap					
C01	**See Cap Options for color availability				
C02					
C03					
C04					
C05					

Dimensions

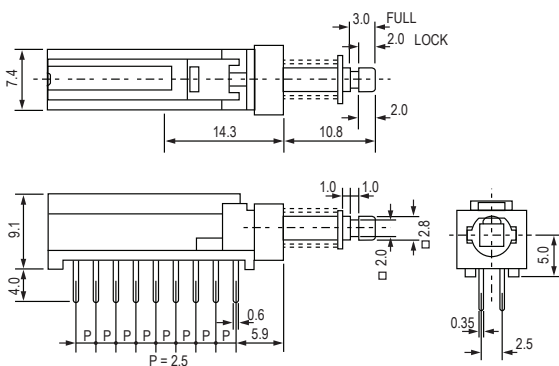
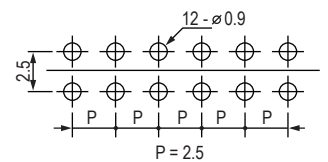
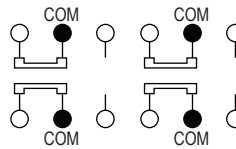
Schematic & PC Layout



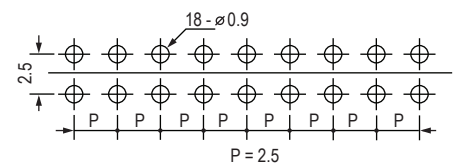
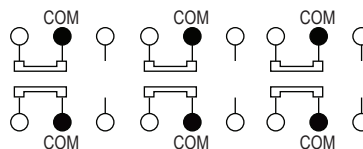
DPDT



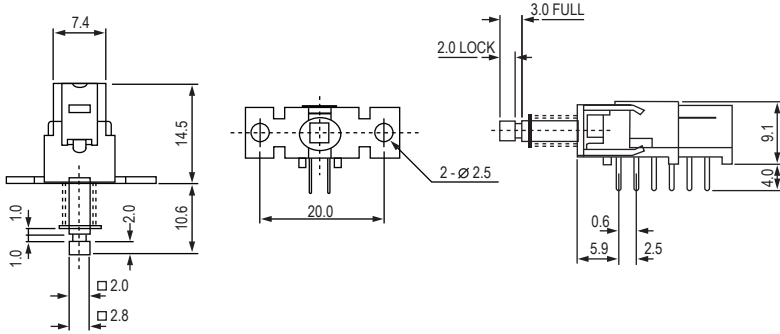
4PDT



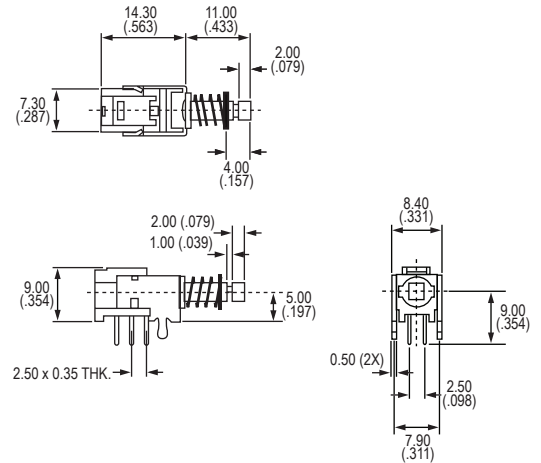
6PDT



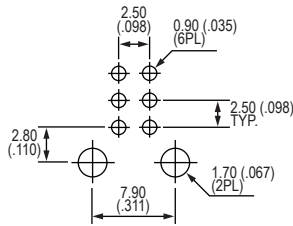
Mounting Options



C - Single Stage Chassis

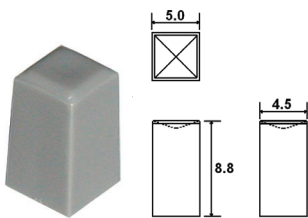


Z - PC Mounting Bracket



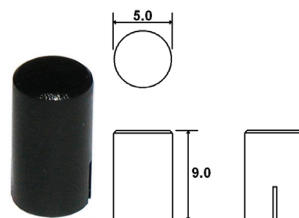
PC Layout

Cap Options



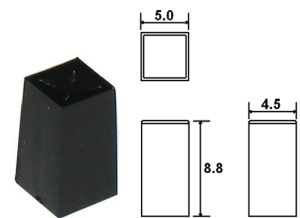
C01_

1 = White, 2 = Black, 3 = Red, 9 = Light Gray
Contact Factory for other available colors



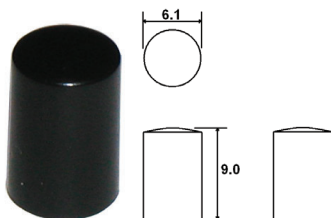
C02_

1 = White, 2 = Black, 3 = Red, 9 = Light Gray
Contact Factory for other available colors



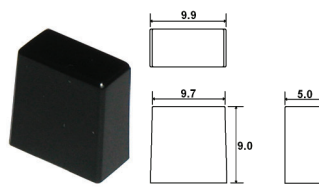
C03_

1 = White, 2 = Black, 3 = Red, 9 = Light Gray
Contact Factory for other available colors



C04_

1 = White, 2 = Black, 3 = Red, 9 = Light Gray
Contact Factory for other available colors



C05_

1 = White, 2 = Black, 3 = Red, 9 = Light Gray
Contact Factory for other available colors