

Specifications

| | | | |
|--------------------|---|-----------------------|---------------------|
| Switch Function | SPST, SPDT | Dielectric Strength | 1000Vrms min |
| Electrical Ratings | 1A @ 250VAC, General Purpose 3A @ 120VAC, General Purpose see Contact Options | Insulation Resistance | ≥ 100MΩ min |
| | | Operating Temperature | -40°C to 85°C |
| | | Storage Temperature | -40°C to 85°C |
| Electrical Life | 55,000 cycles typical | Packaging | 500 pieces per reel |
| Contact Resistance | ≤ 50mΩ initial | Sealing Degree | IP67 |

Materials

| | |
|-----------|--|
| Actuator | Thermoplastic Polyester, UL94V-0 |
| Housing | 6/6 Nylon, Glass Filled Flame Retardent Heat Stabilized, UL94V-0 |
| Bracket | Brass, Tin Plated |
| Contacts | Copper Alloy, Silver or Gold Plated |
| Terminals | Brass, Silver or Gold Plated |

Ordering Information

| | | | | | |
|-----------------------|---|---|---|---|---|
| 1. Series | SSP | 1 | T | R | R |
| SSP | | | | | |
| 2. Number of Poles | 1 = SPST, OFF - (ON) 2 = SPDT, ON - (ON) | | | | |
| 3. Actuator / Bushing | T = 5.6mm Actuator, Non-Threaded F = Flush Actuator, Non-Threaded | | | | |
| 4. Terminals | R = Standard SMT K = Straight SMT | | | | |
| 5. Contacts | Q = Silver Plated R = Gold Plated G = Gold over Silver Plated | | | | |
| 6. Cap Options | Cap Colors : See cap options for color availability C84_ C85_ C86_ | | | | |

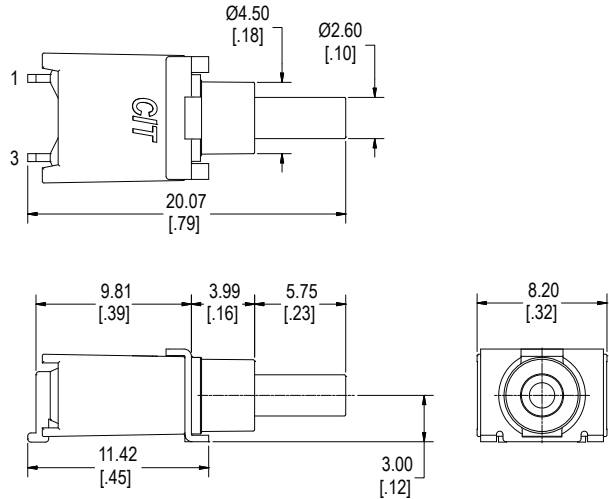
Switch Function



SPST



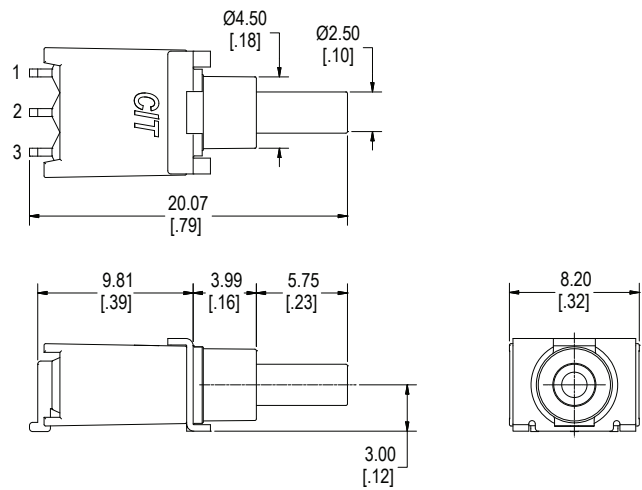
| Function | Pushbutton Position | |
|-----------|---------------------|------|
| | | |
| 0 | OFF | (ON) |
| Terminals | - | 1-3 |



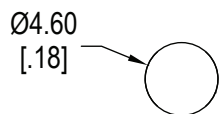
SPDT



| Function | Pushbutton Position | |
|-----------|---------------------|------|
| | | |
| 1 | ON | (ON) |
| Terminals | 2-1 | 2-3 |



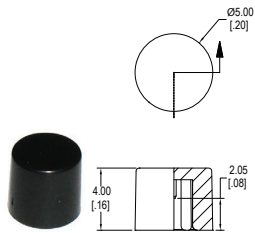
Panel Cut-Out



Contact Options

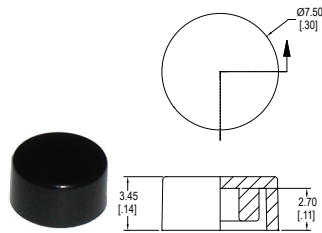
| Designator | Contact Material | Terminal Material | Electrical Ratings |
|------------|--------------------------|--------------------------|---|
| Q | Silver Plating | Silver Plating | 1A @ 250VAC; 3A @ 120VAC general purpose |
| R | Gold over Nickel Plating | Gold over Nickel Plating | .4VA max @ 20VAC or VAC max |
| G | Gold over Silver Plating | Gold over Silver Plating | .4VA max @ 20VAC or VAC max or 1A @ 250VAC; 3A @ 120VAC general purpose |

Cap Options



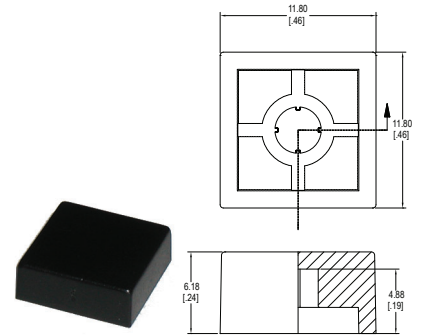
C84_

1 = White, 2 = Black, 3 = Red
Contact Factory for other available colors



C85_

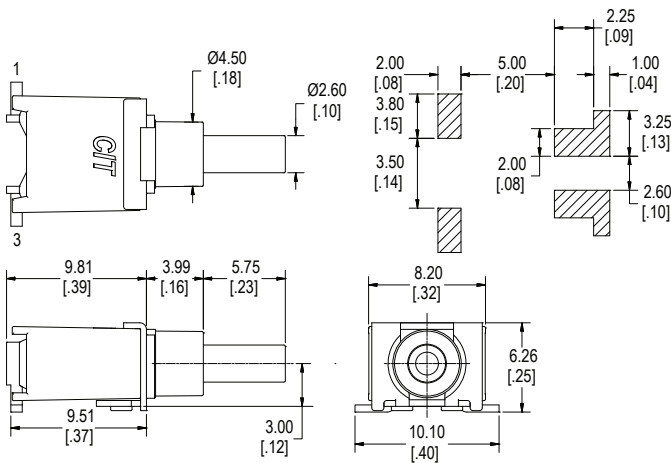
1 = White, 2 = Black, 3 = Red
Contact Factory for other available colors



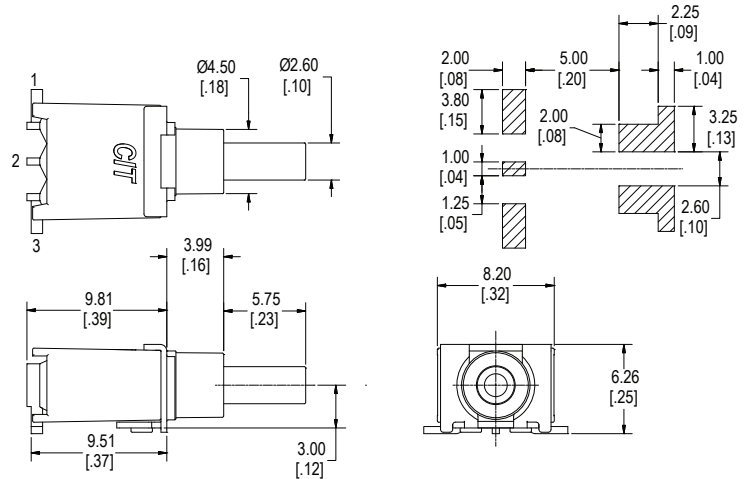
C86_

1 = White, 2 = Black, 3 = Red
Contact Factory for other available colors

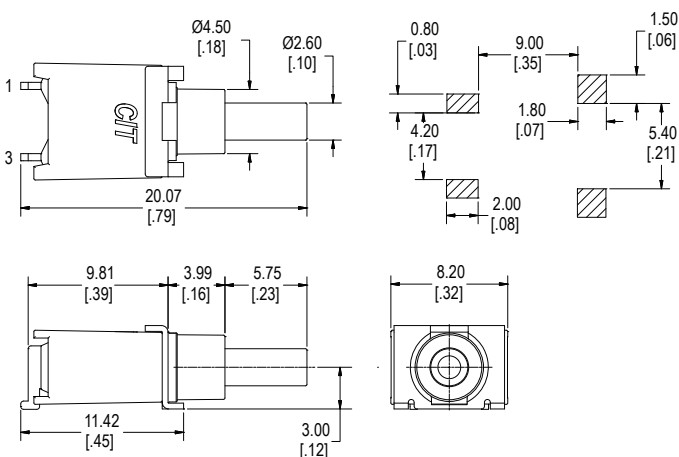
Terminal Options & PC Layouts



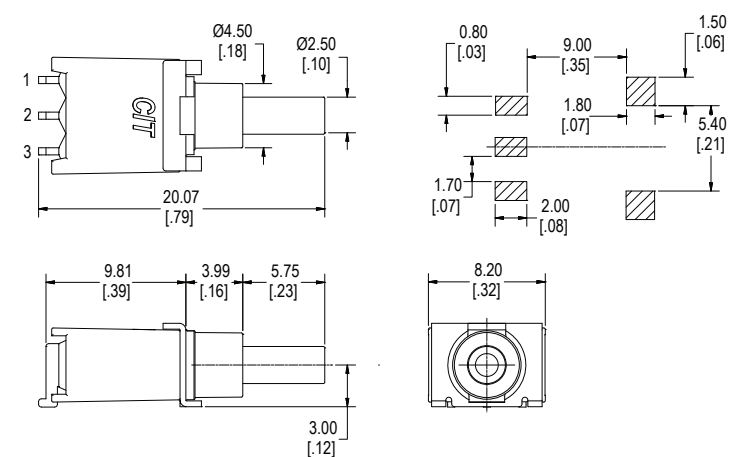
SPST R Terminal



SPDT R Terminal



SPST K Terminal



SPDT K Terminal