

Sealed SMT Toggle

Specifications

Switch Function	SPDT	Dielectric Strength	1500Vrms min
Electrical Ratings	3A @ 120VAC Resistive	Insulation Resistance	≥ 100MΩ min
	1.5A @ 250VAC Resistive	Operating Temperature	-40°C to 85°C
	See Contact Options	Storage Temperature	-40°C to 85°C
Electrical Life	55,000 cycles typical	Packaging	500 pieces per reel
Contact Resistance	≤ 20mΩ initial @ 2-4VDC, 100mA	Sealing Degree	IP67

Materials

Actuator	Brass, Chrome Plated
Housing	4/6 Nylon, Glass Filled Flame Redardant Heat Stabilized, UL94V-0
Bracket	Brass, Tin Plated
Contacts	Copper Alloy, Silver or Gold Plated
Terminals	Copper Alloy, Silver or Gold Plated

Ordering Information

1. Series	SST	1	3	T2	N	K	G
SST							
2. Number of Poles							
1 = SPDT							
3. Switch Function							
1 = ON-NONE-ON							
2 = ON-NONE-(ON)							
3 = ON-OFF-ON							
4 = (ON)-OFF-(ON)							
4. Actuator							
T1 = 10.16mm, Standard							
T2 = 6.10mm, Standard							
T4 = 13.97mm, Standard							
P1 = 10.16mm, Plastic, Anti-Static							
P2 = 6.10mm, Plastic, Anti-Static							
5. Bushing							
N = 4.11mm, Non-Threaded							
6. Terminals							
R = Standard SMT							
K = Straight SMT							
7. Contacts							
Q = Silver Plated							
R = Gold Plated							
G = Gold over Silver Plated							

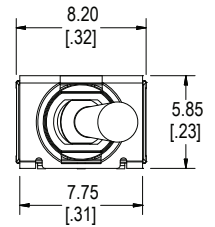
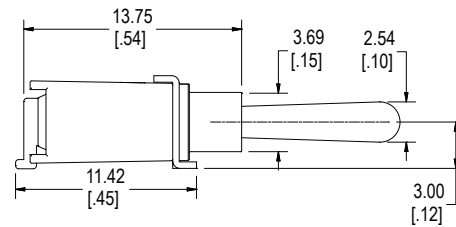
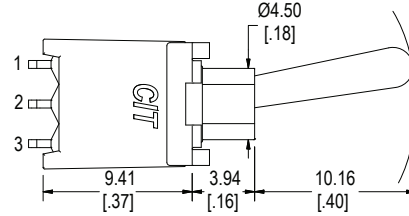
Switch Function



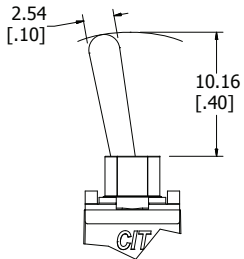
SPDT



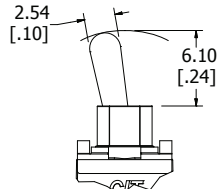
Function	Toggle Position		
1	ON	NONE	ON
2	ON	NONE	(ON)
3	ON	OFF	ON
4	(ON)	OFF	(ON)
5	ON	OFF	(ON)
Terminals	2-3	-	2-1



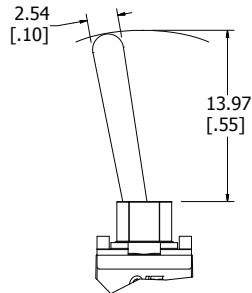
Actuator Options



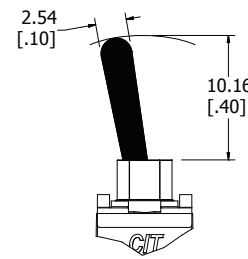
T1



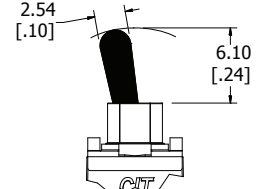
T2



T4

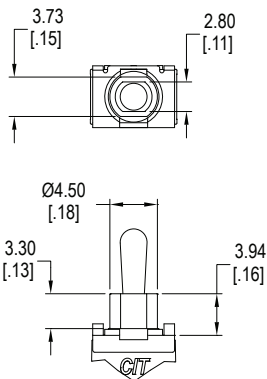


P1



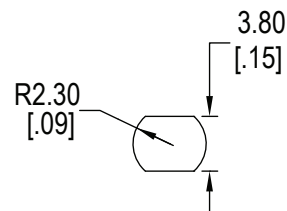
P2

Bushing

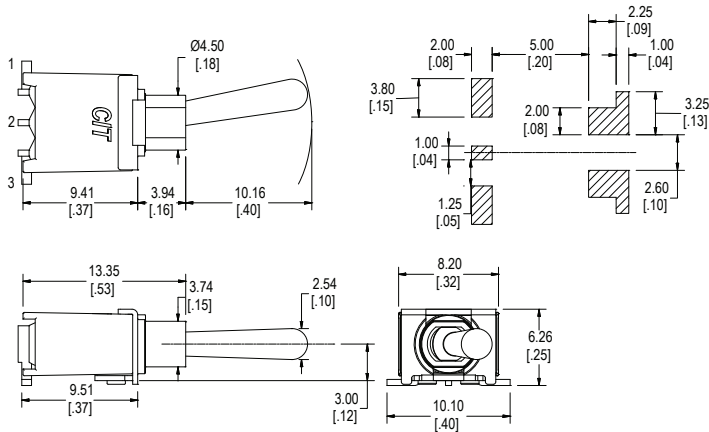


N = 4.11mm, Non-Threaded

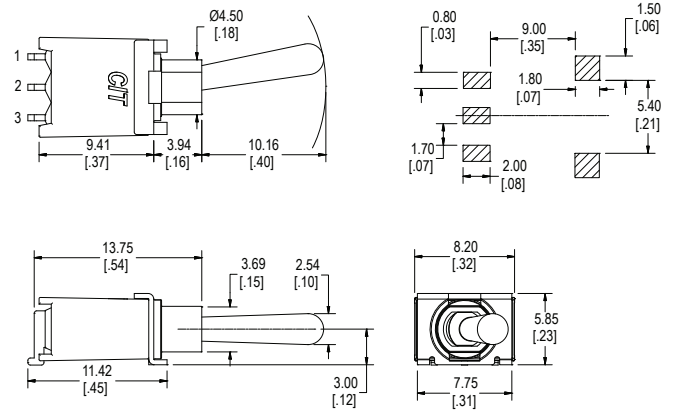
Panel Cut-Out



Terminal Options & PC Layouts



SPDT R Terminal



SPDT K Terminal

Contact Options

Designator	Contact Material	Terminal Material	Electrical Ratings
Q	Silver Plating	Silver Plating	3A @ 120VAC; 1.5A @ 250VAC Resistive
R	Gold over Nickel Plating	Gold over Nickel Plating	.4VA max @ 20VAC or VAC max
G	Gold over Silver Plating	Gold over Silver Plating	.4VA max @ 20VAC or VAC max or 3A @ 120VAC, 1.5A @ 250VAC Resistive