



## Specifications

Electrical Ratings	50mA @ 48VDC	Actuator Travel	1.6 ± .25mm
Electrical Life	100,000 cycles typical	Dielectric Strength	500Vrms min
Contact Resistance	<50mΩ initial	Insulation Resistance	>100MΩ min
Actuation Force	130 ± 50gF	Operating Temperature	-40°C to 85°C
	200 ± 50gF	Storage Temperature	-40°C to 85°C
	300 ± 50gF	Sealing Degree	IP67

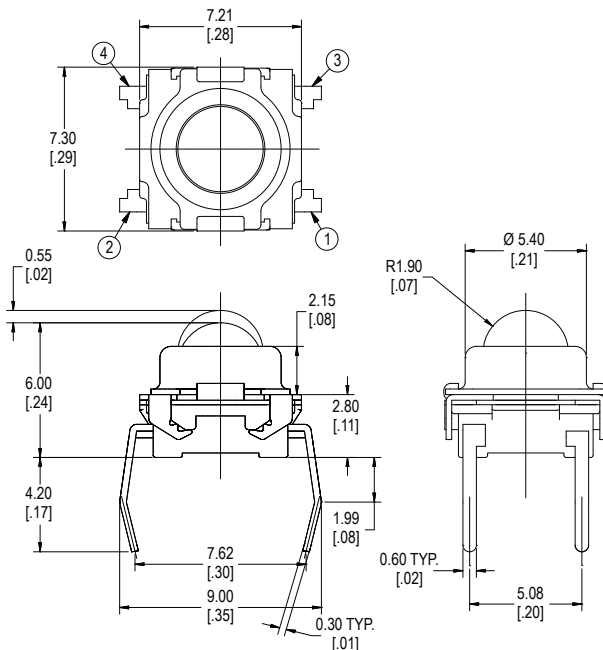
## Materials

Actuator	Stainless Steel
Actuator Cover	Stainless Steel
Switch Housing	6/6 Nylon
Contacts	Stainless Steel, Silver Plated
Terminals	Brass, Silver Plated

## Ordering Information

1. Series	STJ	F200	Q
STJ			
2. Actuation Force			
F130 = F130gF			
F200 = F200gF			
F300 = F300gF			
3. Contact Material			
Q = Silver			

## Dimensions



## Schematic & PC Layout

