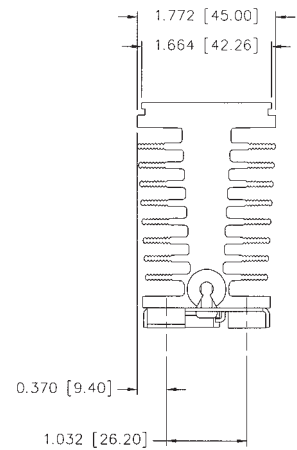
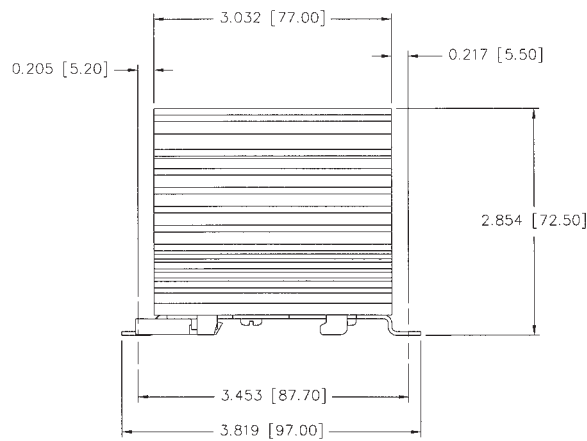


SOLID STATE RELAYS

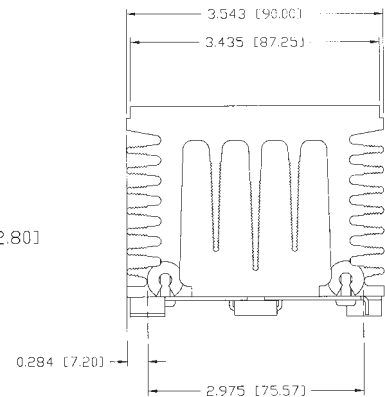
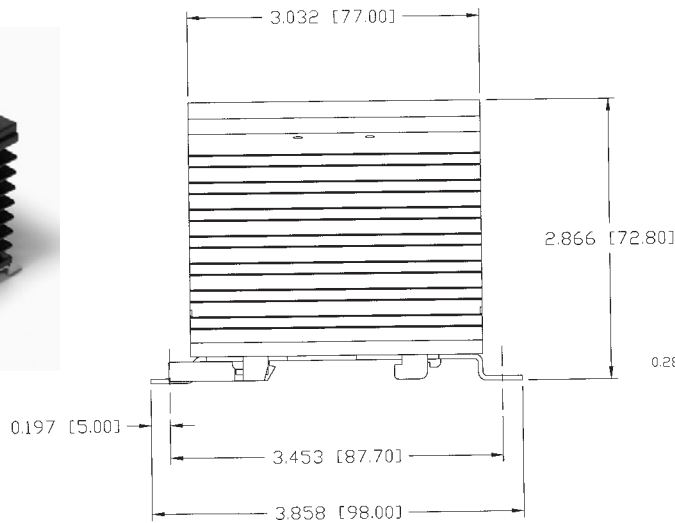
HS8 HEATSINK



ORDERING INFORMATION:

Model #	Description
HS8	Heatsink 2.1°C/W (For Single Phase SSR's)

HS9 HEATSINK



ORDERING INFORMATION:

Model #	Description
HS9	Heatsink 1.5°C/W (For Single Phase SSR's)

DIMENSIONS: inches (mm)

TOLERANCES: ±0.02 inches

MATERIAL: AISI 6063-T5 Aluminum

FINISH: Black Anodized

Products and specifications subject to change without notice.
Consult factory for application assistance.