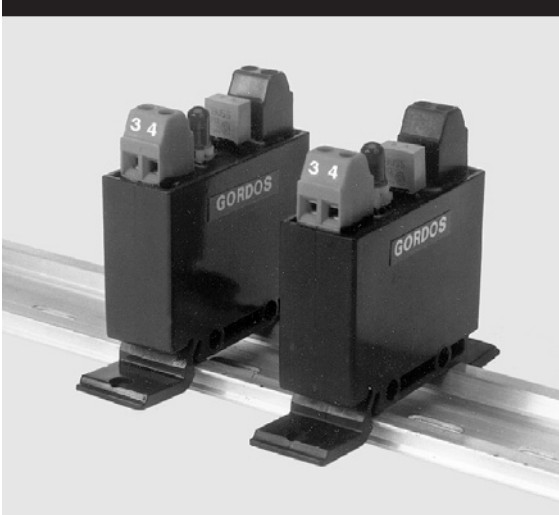


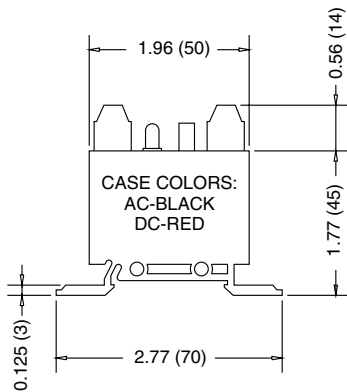
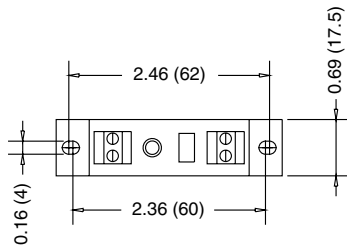
DIGITAL I/O MODULES

DIN-RAIL MOUNTABLE OUTPUT MODULES

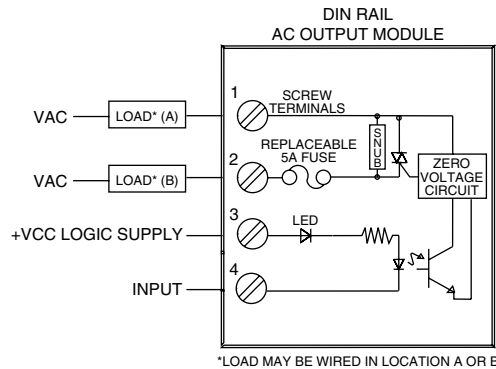


FEATURES:

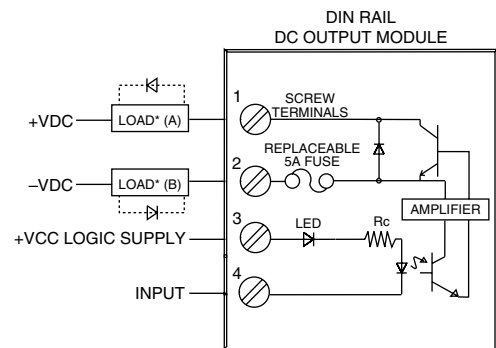
- CE Compliant
- DIN-Rail Mountable Single Point Output Modules (35mm DIN)
- UL Recognized/Horse Power Rated (E46203)/ CSA certified (38595)
- AC Output Rating 5 Amp at 12 to 280 VAC, with 250 Amp Single Cycle Surge Capability
- DC Output Rating 3 Amp at 3 to 60 VDC
- 3 to 32 VDC Input for AC Module, 5V or 24V for DC Module
- Zero Voltage Turn-on for AC Module
- 4 kV Optical Isolation with LED Indicator
- Barrier Strips Accept 14 to 28 AWG Wire
- Configured for Panel Mounting



DIMENSIONS: INCHES (MILLIMETERS)
TOLERANCE: ±0.020 (±0.50)



*LOAD MAY BE WIRED IN LOCATION A OR B



*LOAD MAY BE WIRED IN LOCATION A OR B.
DC INDUCTIVE LOADS MUST BE DIODE SUPPRESSED TO PREVENT DAMAGE TO THE I/O MODULE.

(EQUIVALENT CIRCUIT DIAGRAMS)

Products and specifications subject to change without notice.
Consult factory for application assistance.

DIGITAL I/O MODULES

DIN-RAIL OUTPUT MODULES

INPUT SPECIFICATIONS: (1)

Model Number	DROAC	DRODC5	DRODC24	Units
Parameter				
Nominal Voltage	5-24	5.0	24.0	VDC
Minimum Voltage	3.7	3.5	18.0	VDC
Maximum Voltage	32	8.0	32.0	VDC
Drop-Out Voltage	1.0	1.0	1.0	VDC
Maximum Current (2)	18.0	18.0	13.0	mA
Resistance (3)	—	250	2000	Ohms

OUTPUT SPECIFICATIONS: (1)

Model Number	DROAC	DRODC5 DRODC24
Parameter		
Nominal Line Voltage	120/240 VAC	5-48 V
Minimum Line Voltage	12 VAC	3.0 V
Maximum Line Voltage	280 VAC	60 V
Max Off-State Voltage (4)	600 Vpeak	60 V
Max Off-State Leakage (5)	.1 mArms	10 μ A
Static Off-State dv/dt (6)	200 V / μ sec	N/A
Maximum Rated On-State Current (7)	5.0 Arms	3.0 A
Min On-State Current	50 mArms	10 mA
Max Surge Current (8)	250 Apeak	5.0 A
On-State Voltage Drop (9)	1.6 V	1.5 V
Horse Power Rating (13)	1/2 H.P.	N/A

GENERAL SPECIFICATIONS: (1)

Model Number	DROAC	DRODC5 DRODC24	Units
Parameter			
Operating Temperature Range	-30 to 80	-30 to 80	$^{\circ}$ C
Storage Temperature Range	-40 to 100	-40 to 100	$^{\circ}$ C
Maximum Turn-on Time (10)	8.33	0.1	mSec
Maximum Turn-off Time (10)	8.33	0.75	mSec
Input/Output Isolation Voltage (11)	4000	4000	VAC
Input/Output Capacitance (typical)	8	8	pF
Line Frequency Range	47 to 63	DC	Hertz
Fuse (12)	5	5	Amps

Notes:

- (1) Specifications apply to an ambient temperature of -30 to 80 $^{\circ}$ C unless otherwise noted.
- (2) At nominal input voltage for DC modules, AC modules are current limited +/-10% at 25 $^{\circ}$ C.
- (3) +/-10% at 25 $^{\circ}$ C for DC modules.
- (4) Maximum 1 minute duration for OAC modules when applied as a DC voltage rather than peak AC voltage.
- (5) At maximum line voltage, 25 $^{\circ}$ C for OAC modules, and 80 $^{\circ}$ C for ODC modules.
- (6) Minimum dv/dt per EIA/NARM RS443, method RS397. dv/dt ratings do not apply to ODC modules.
- (7) At 40 $^{\circ}$ C, derate OAC modules by 125 mA/ $^{\circ}$ C to 80 $^{\circ}$ C; derate ODC modules by 50 mA/ $^{\circ}$ C to 80 $^{\circ}$ C.
- (8) At 25 $^{\circ}$ C. Maximum duration: 1 AC cycle for OAC modules, 1 second for ODC modules.
- (9) At maximum rated on-state current and 25 $^{\circ}$ C.
- (10) At maximum line voltage, maximum rated output current, nominal input voltage, 25 $^{\circ}$ C. Switching speed of OAC modules based upon 60 Hz line frequency.
- (11) At 25 $^{\circ}$ C for 1 second maximum duration.
- (12) Fuse is Buss, PC-TRON #PCE5.
- (13) 1/2 H.P. at 240 VAC, 1/4 H.P. at 120 VAC.

Products and specifications subject to change without notice.
Consult factory for application assistance.