

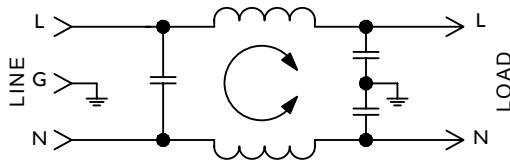
F2199/F2200 RFI Filters



Features:

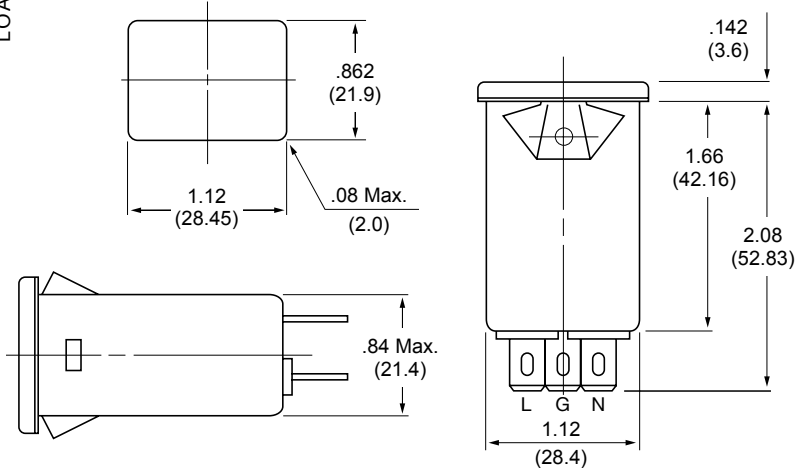
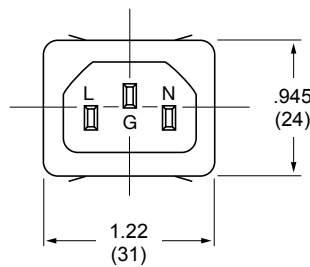
- General Purpose Filters — Designed for Common Mode Emissions or Susceptibility Applications
- Integral IEC Connector in Space-Efficient Package
- Ideal for Linear Power Supplies in Digital Equipment

F2100/F2200 Simplified Schematic



F?????? (6Amp)???? Dimensions

Refer to Page 62
for Standard
Mounting Cutouts???



Specifications:

Rated Voltage: 250VAC Maximum - 50/60 Hz

Rated Current:	115VAC	250VAC
	1A	1A
	3A	3A
	6A	6A
	10A	8A

Current Overload: 6X for 8 seconds

Hi-Pot Test (1 min):

Line to Ground	1500VAC
Line to Line	1768VDC

Insulation Resistance: $9 \times 10^9 \Omega$ at 100VDC

Ambient Temperature: 40°C Max. at rated current

Humidity Range: 0% to 95% R.H.

Termination:

- A: QC – Quick Connect
- C: IEC Receptacle

Maximum Leakage Current:

Each Line to Ground	F2100/F2200
115VAC, 60Hz:	0.25mA
250VAC, 50Hz:	0.40mA

Agency Approvals:



Nominal Current Rating	Part Number	Termination Line/Load	MINIMUM INSERTION LOSS - dB (50 ohm Circuit)						
			MODE	Frequency - MHz					
				.15	.50	1.0	5.0	10	30
1A	F2100CA01 F2200CA01	IEC/QC IEC/QC	Common	22	35	40	46	50	50
			Differential	—	2	3	35	40	40
3A	F2100CA03 F2200CA03	IEC/QC IEC/QC	Common	15	25	30	45	50	50
			Differential	—	2	3	35	40	40
6A	F2100CA06 F2200CA06	IEC/QC IEC/QC	Common	10	20	29	43	45	50
			Differential	—	2	7	28	46	57
10A	F2100CA10	IEC/QC	Common	9	17	23	39	45	45
			Differential	—	2	7	12	37	60

NOTE: Other combinations of terminals may be specified on special order.

