




# OB SERIES

## RELAY SOCKETS

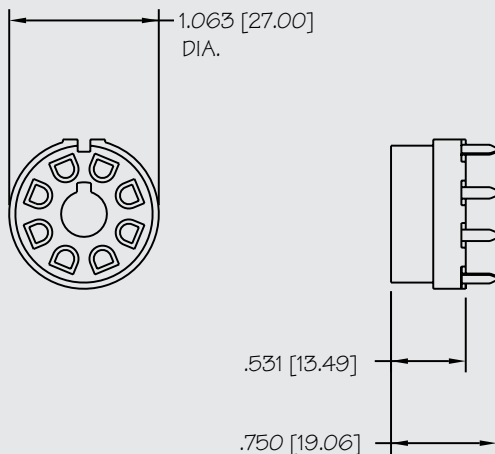
<b>DESCRIPTION</b>	8 and 11 Pin Octal Sockets
<b>ELECTRICAL RATING</b>	• 300 Volts, 10 Amps
<b>CONSTRUCTION</b>	<b>Contacts</b> • Phosphor Bronze, Tin Plated <b>Molding</b> • Break Resistant Thermoplastic
<b>AGENCY APPROVALS</b>	• UL recognized, File No. E60008  • CSA certified, File No. LR29513  • CE 

### ORDERING CODE

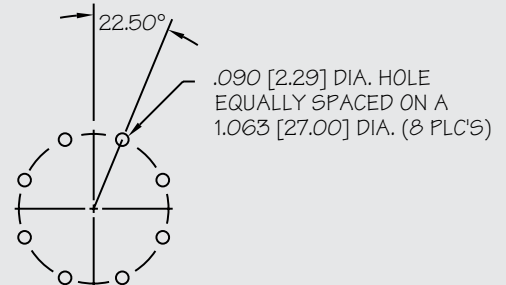
PART NO.	DESCRIPTION	TERMINAL TYPE
OB08-PCB	DPDT, 8 Pin Octal (Fig. 1)	PC Board
OB11-PCB	3PDT, 11 Pin Octal Style (Fig. 2)	PC Board



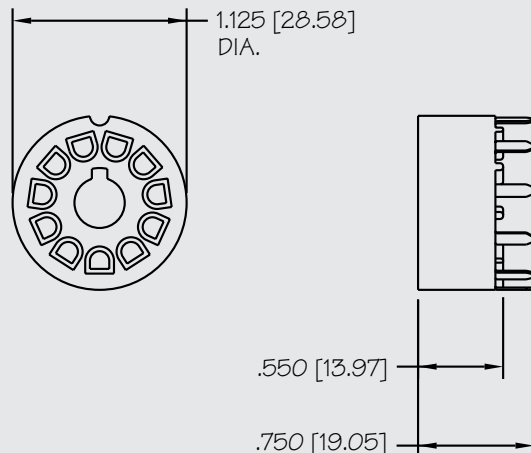
**Fig. 1**



**PC BOARD LAYOUT**



**Fig. 2**



**PC BOARD LAYOUT**

