

PR SERIES

AUTOMOTIVE RELAY SOCKETS

DESCRIPTION

4 Pin Automotive High Current Relay Sockets

CONSTRUCTION

Molding • Heat Stabilized Thermoplastic, 130° C Continuous use temperature rating

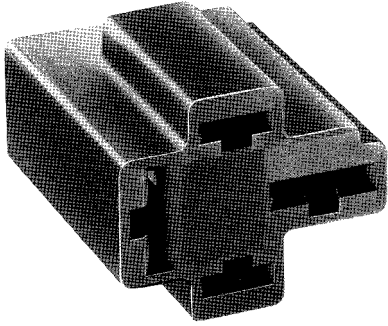
ORDERING CODE

PART NO.	DESCRIPTION	TERMINAL TYPE
PR04-WH	4 pin Automotive Connector for Wire Harnessing	Crimp (see chart)

TERMINAL COMPATIBILITY CHART

Custom Connector Corporation recommends the following terminals to be used in conjunction with our PR Series relay socket series. All Parts listed below need to be purchased separately.

ORDER FROM	PART NO.	AWG	BLADE
FCI Automotive	JW-1230-2	12-14	1/4"
FCI Automotive	JW-1630-2	16-18	1/4"
AMP	42100	14-18	1/4"
AMP	42281	14-18	1/4"
AMP	42904	12-16	1/4"
AMP	60249	12-16	1/4"
AMP	280756-4	10-12	3/8"



CUSTOM CONNECTOR

