

RELAY SOCKET ACCESSORIES

DIN RAIL

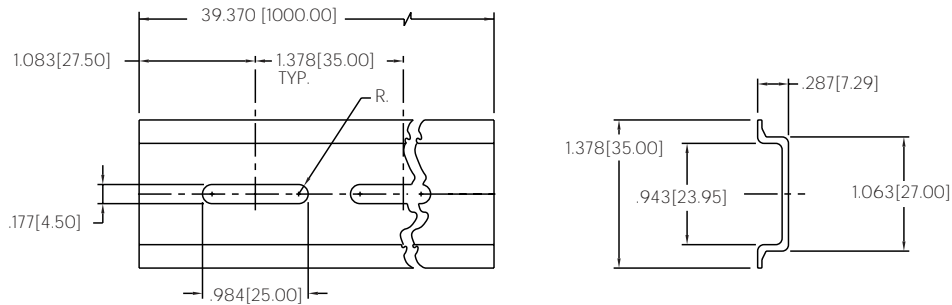
DRAWINGS & SPECIFICATIONS

PART NO.	DESCRIPTION	SERIES NO.
----------	-------------	------------

C-103-PM

Prepunched Aluminum DIN Rail (1 Meter Lengths)
(note: Other lengths available, consult factory)

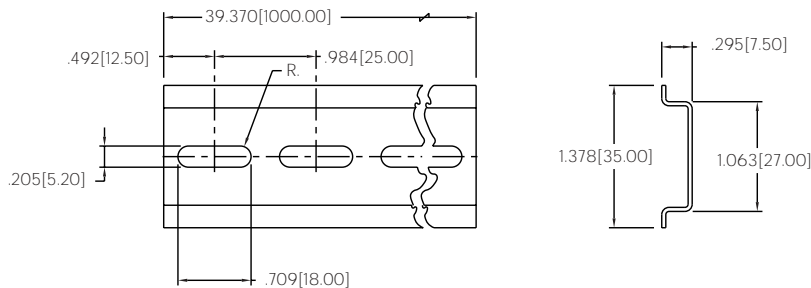
ES, GT, MT, OT, ST



C-104-PM

Prepunched Steel DIN Rail (1 Meter Lengths)
(note: Other lengths available, consult factory)

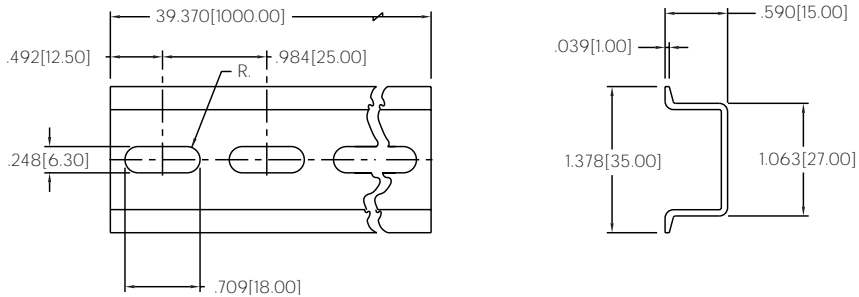
ES, GT, MT, OT, ST



C-105-PM

Prepunched Steel DIN Rail (1 Meter Lengths)
(note: Other lengths available, consult factory)

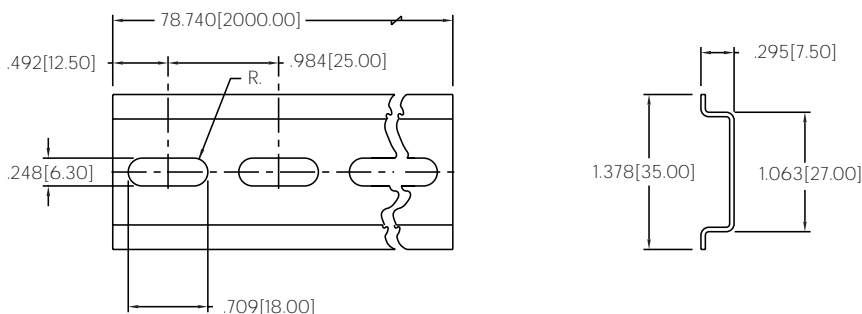
ES, GT, MT, OT, ST



C-106-2PM

Prepunched Steel DIN Rail (2 Meter Lengths)
(note: Other lengths available, consult factory)

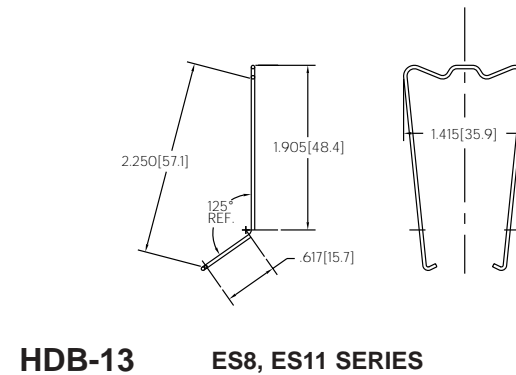
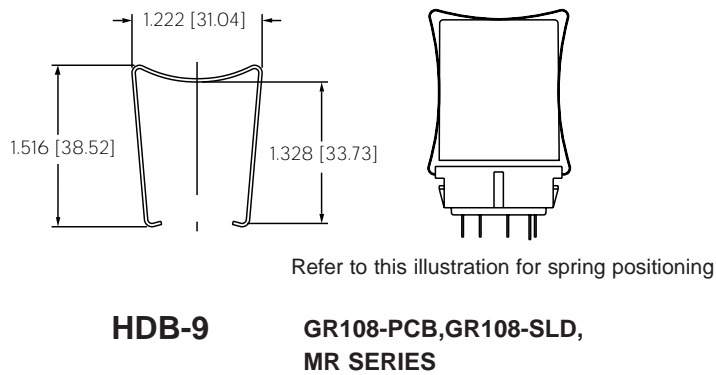
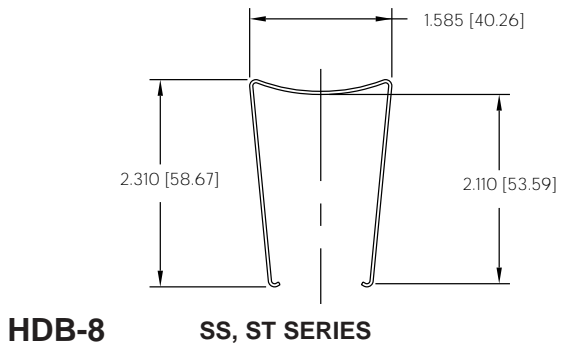
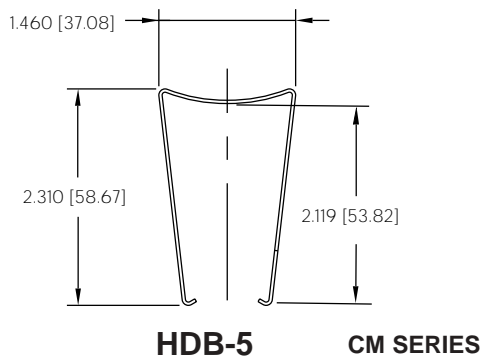
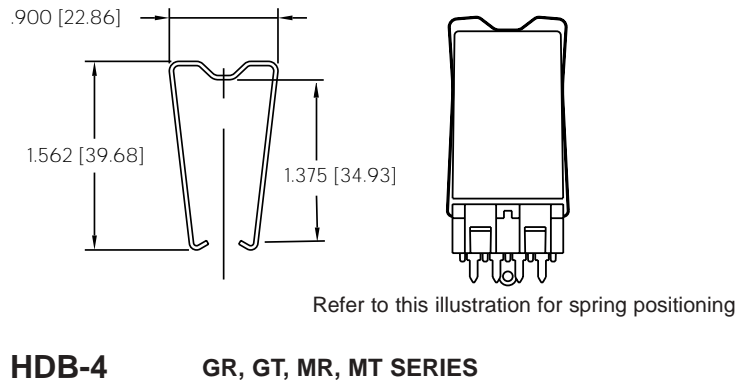
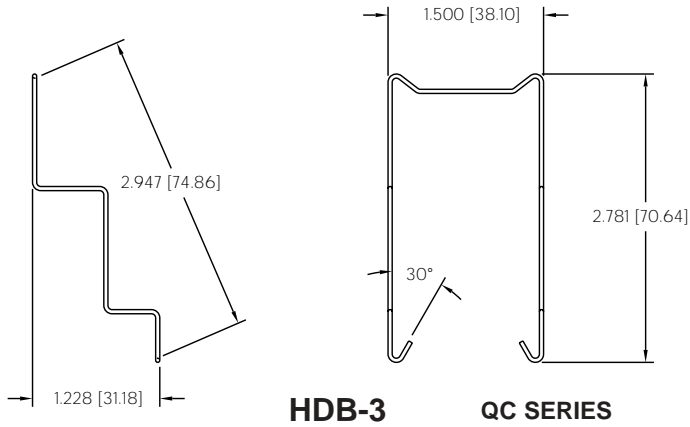
ES, GT, MT, OT, ST



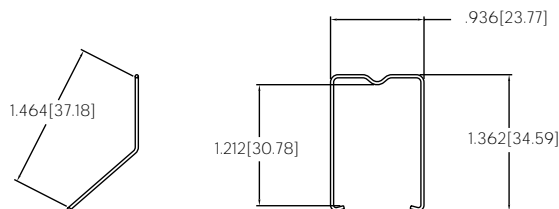
OTHER STYLES AND HOLE PATTERNS AVAILABLE. CONSULT FACTORY

RELAY SOCKET ACCESSORIES

HOLD DOWN SPRINGS DRAWINGS & SPECIFICATIONS



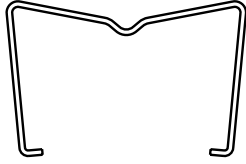
ES15/4, ES15/2N, ES15/3N, ES15/4N



RELAY SOCKET ACCESSORIES

DRAWINGS & SPECIFICATIONS

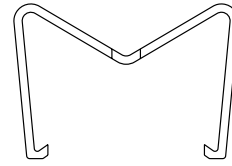
EC SERIES - HOLD DOWN SPRINGS



STEEL SPRING

- MH12-2 - For relays with a height of 12mm
- MH16-2 - For relays with a height of 15 - 16.5mm
- MH25-2 - For relays with a height of 25 - 25.5mm

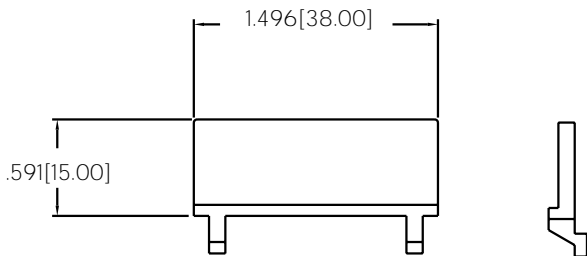
NEW!



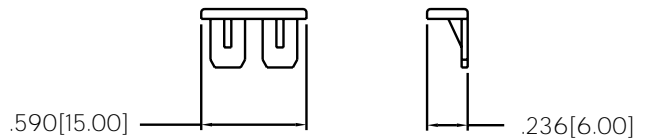
PLASTIC SPRING

- MP12-2 - For relays with a height of 12mm
- MP16-2 - For relays with a height of 15 - 16.5mm
- MP25-2 - For relays with a height of 25 - 25.5mm

MARKING PLATES



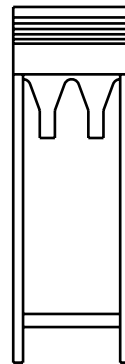
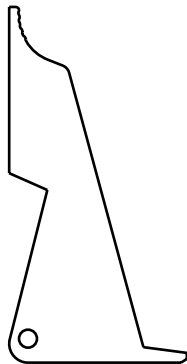
T FOR ES8, ES11



TR FOR ES35, ES50, ES50/3

HOLD DOWN DEVICES /EJECTORS

FOR ES35, ES50, ES50/3, ES15/2N, ES15/3N, ES15/4N



- MS12 - For relays with a height of 12mm
- MS16 - For relays with a height of 15 - 16.5mm
- MS25 - For relays with a height of 25 - 25.5mm
- MS35 - For ES15/2N, ES15/3N, ES15/4N