

**EB1350****3.5mm SPACING, PLUGGABLE MINI BLOCK****TECHNICAL DATA****MECHANICAL****Torque:**

3.0 lbs-in. Max.

**Operating Temperature:**

-33°C to +120°C

-27°F to +248°F

**MATERIAL****Contact Block:**

Brass, Tin Plated

**Contact Clip:**

PhBz, Tin Plated

**Terminal Screw:**

M2, Steel, Zinc Plated

**Insulator Body:**

PBT, UL 94V-0, Blue

**ELECTRICAL****Voltage Rating:**

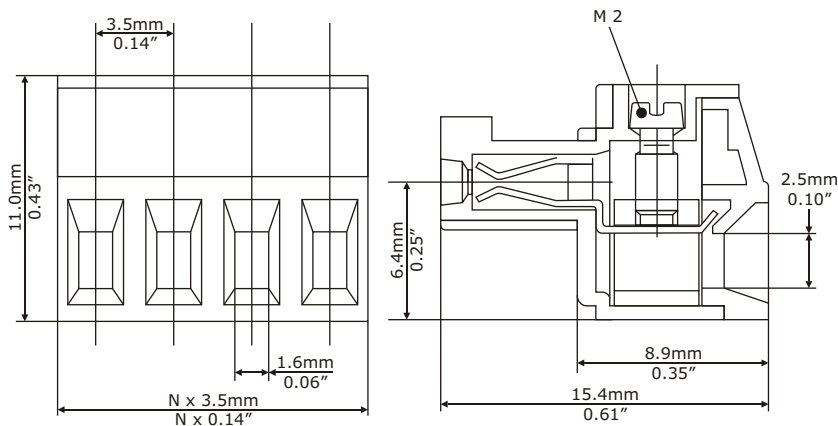
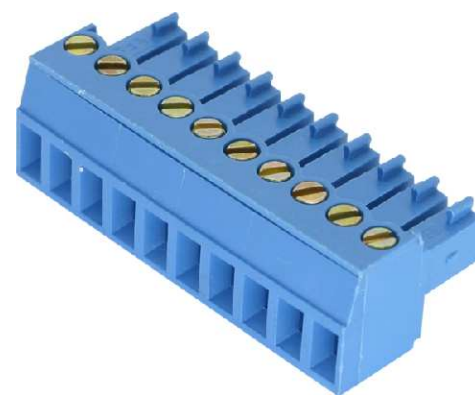
300VAC

**Current Rating:**

8 Amps

**Wire Range:**

14-22AWG

**DIMENSIONAL REFERENCE**

N = Number of contacts

Safety Approval:

**PART NUMBERING****EB1350-XX**
 NUMBER OF  
POSITIONS  
12 Maximum

If you require marking or printing on your parts, contact EBY - we can provide blocks to your exact specifications.

**EBY Electro, Inc.**210 Express Street  
Plainview, NY 11803-2423 USA

© Copyright 2003 EBY Electro, Inc.

**EBY**

Electro-Mechanical Components Since 1945

[www.ebyelectro.com](http://www.ebyelectro.com)Email: [info@ebyelectro.com](mailto:info@ebyelectro.com)

Tel: 516.576.7777 · Fax: 516.576.1414