

EB1508

5.08mm SPACING, PLUGGABLE, MINI BLOCK

TECHNICAL DATA

MECHANICAL

Torque:

5.0 lbs-in. Max.

Operating Temperature:

-33°C to +120°C

-27°F to +248°F

MATERIAL

Contact Block:

Brass Machined, Tin Plated

Contact Clip:

PhBz, Tin Plated

Terminal Screw:

M3, Steel, Zinc Plated

Insulator Body:

Polyamide, UL 94V-0, Green

ELECTRICAL

Voltage Rating:

300VAC

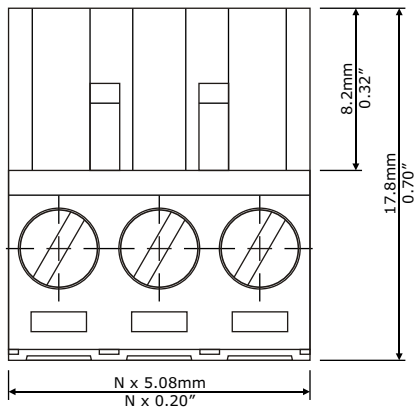
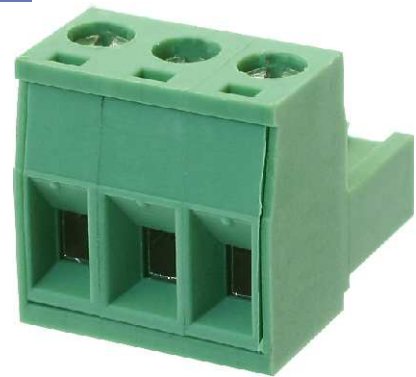
Current Rating:

10 Amps

Wire Range:

12-24AWG

DIMENSIONAL REFERENCE



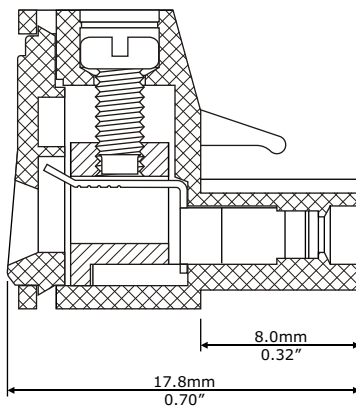
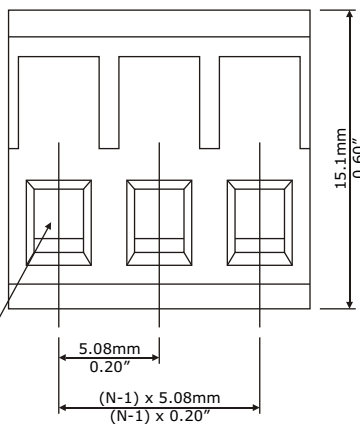
Safety Approval:



PART NUMBERING

EB1508-XX

NUMBER OF
POSITIONS
Max. 24



□ 2.5mm x 2.5mm
□ 0.10" x 0.10"

N = Number of contacts

If you require marking or printing on your parts, contact EBY - we can provide blocks to your exact specifications.

EBY Electro, Inc.

210 Express Street
Plainview, NY 11803-2423 USA

© Copyright 2003 EBY Electro, Inc.



Electro-Mechanical Components Since 1945

www.ebyelectro.com

Email: info@ebyelectro.com

Tel: 516.576.7777 · Fax: 516.576.1414