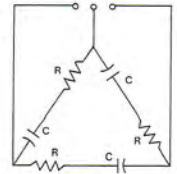
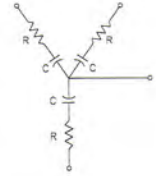


RG2377
SCHEMATIC

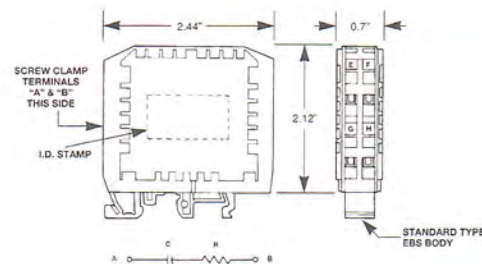


RG2406
SCHEMATIC



DELTA PART NO.	WYE PART NO.	RESISTOR (OHM±10%)	WATTS	CAPACITOR MFD	VOLTS (VAC)
RG2377-1	RG2406-1	22	10	0.5	480
RG2377-2	RG2406-2	33	10	0.5	480
RG2377-3	RG2406-3	47	10	0.5	480
RG2377-4	RG2406-4	68	10	0.5	480
RG2377-5	RG2406-5	82	10	0.5	480
RG2377-6	RG2406-6	100	10	0.5	480
RG2377-7	RG2406-7	150	10	0.5	480
RG2377-8	RG2406-8	220	10	0.5	480
RG2377-9	RG2406-9	330	10	0.5	480
RG2377-10	RG2406-10	470	10	0.5	480
RG2377-11	RG2406-11	680	10	0.5	480

- Single-phase and three-phase Delta and WYE configurations
- Compatible with DIN Rails 46277-1 and 46277-3
- Enclosures meet UL-94VO flammability requirements
- Screw terminations for convenience
- Ideal for control applications, large scale instrumentation and automation
- Space-saving
- Reduced installation time
- Custom configurations available

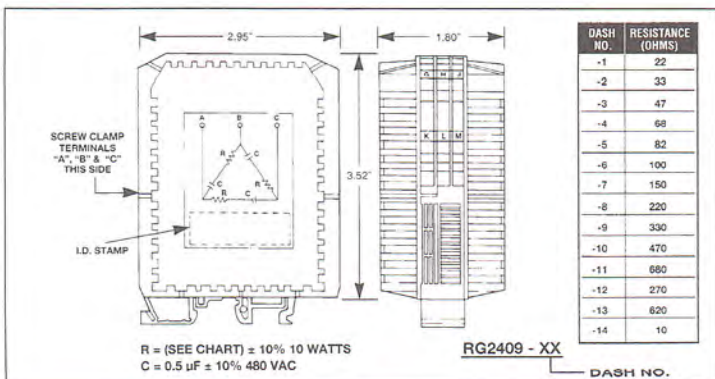


DASH NO.	RESISTANCE (OHMS)
-1	22
-2	33
-3	47
-4	68
-5	82
-6	100
-7	150
-8	220
-9	330
-10	470
-11	680

R = (SEE CHART) ± 10% 1/2 WATT
C = 0.5 µF ± 10% 125 VAC/200 VDC

RG2408 - XX

DASH NO.

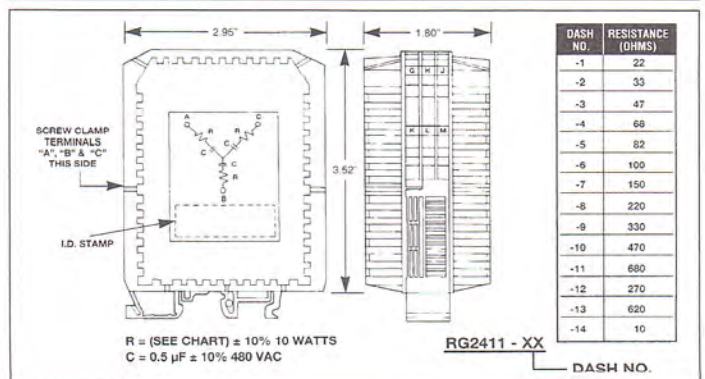


DASH NO.	RESISTANCE (OHMS)
-1	22
-2	33
-3	47
-4	68
-5	82
-6	100
-7	150
-8	220
-9	330
-10	470
-11	680
-12	270
-13	620
-14	10

R = (SEE CHART) ± 10% 10 WATTS
C = 0.5 µF ± 10% 480 VAC

RG2409 - XX

DASH NO.

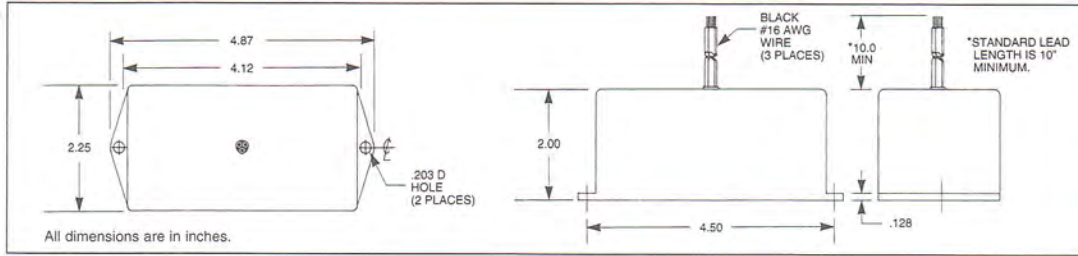


DASH NO.	RESISTANCE (OHMS)
-1	22
-2	33
-3	47
-4	68
-5	82
-6	100
-7	150
-8	220
-9	330
-10	470
-11	680
-12	270
-13	620
-14	10

R = (SEE CHART) ± 10% 10 WATTS
C = 0.5 µF ± 10% 480 VAC

RG2411 - XX

DASH NO.



Electrocube, the largest U.S. manufacturer of arc suppressing resistor-capacitor (RC) networks has expanded its capabilities into the industrial motor and controls market with the introduction of its new series of three-phase high voltage RC networks.

Designated as the RG2561 through RG2564 (660 VAC) and RG2571 through RG2574 (480 VAC) Series, these new product lines are designed to meet the exacting electrical and physical requirements of heavy duty industrial applications.

The creation of this new product line complements Electrocube's extensive lines of single-phase and three-phase RC networks for electronic instrumentation and control. These RC networks allow Electrocube to continue its role as a leader in the design, development and manufacture of the highest quality RC networks in the United States.

Consult Electrocube for all of your RC networks and precision film capacitor requirements.

FEATURES:

- **480 and 600 VAC ratings**
- **Three-phase Delta and WYE configurations**
- **Varistor options available**
- **Capacitance: 0.47 μ F, \pm 10% tolerance**
- **Resistance: 22 to 680 ohms, \pm 5%, 10 watt**
- **Enclosure meets UL-94VO flammability requirements**
- **Standard lead length is 10"**
- **Custom configurations**

SERIES SELECTION

SERIES	VAC	Y		VARISTOR
RG2561	660	no	yes	no
RG2562	660	yes	no	no
RG2563	660	no	yes	yes
RG2564	660	yes	no	yes
RG2571	480	no	yes	no
RG2572	480	yes	no	no
RG2573	480	no	yes	yes
RG2574	480	yes	no	yes

RESISTOR SELECTION

DASH NO.	OHMS
-1	22
-2	33
-3	47
-4	68
-5	82
-6	100
-7	150
-8	220
-9	330
-10	470
-11	680

HOW TO ORDER

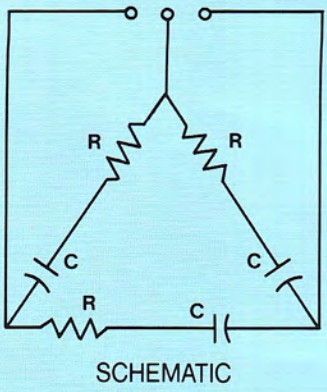
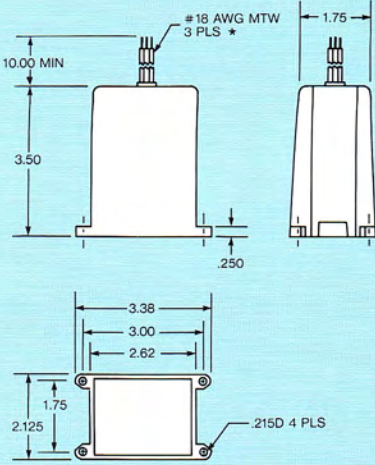
RG2564 - 8 - 12

SERIES _____ LEAD LENGTH (INCHES)
 (See Series Selection Chart) (Note: standard lead length is 10" \pm .010"; specify lead lengths in 1" increments)

CAPACITOR: 0.47 μ F, \pm 10%
 RESISTOR: Ohms \pm 5%, 10 Watt
 CASE: ABS Plastic/Epoxy Fill

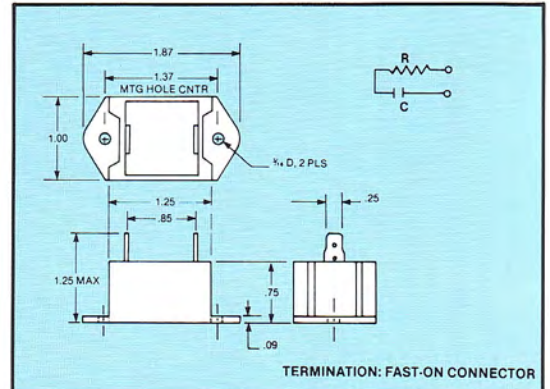
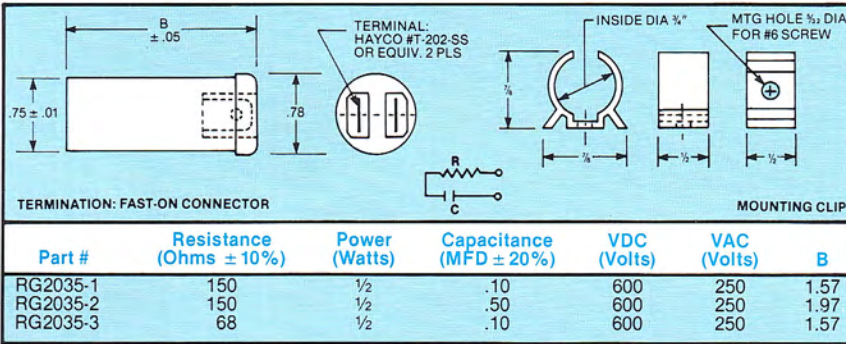
RESISTOR
 (See Resistor Selection Chart)

3 PHASE R. C. NETWORKS

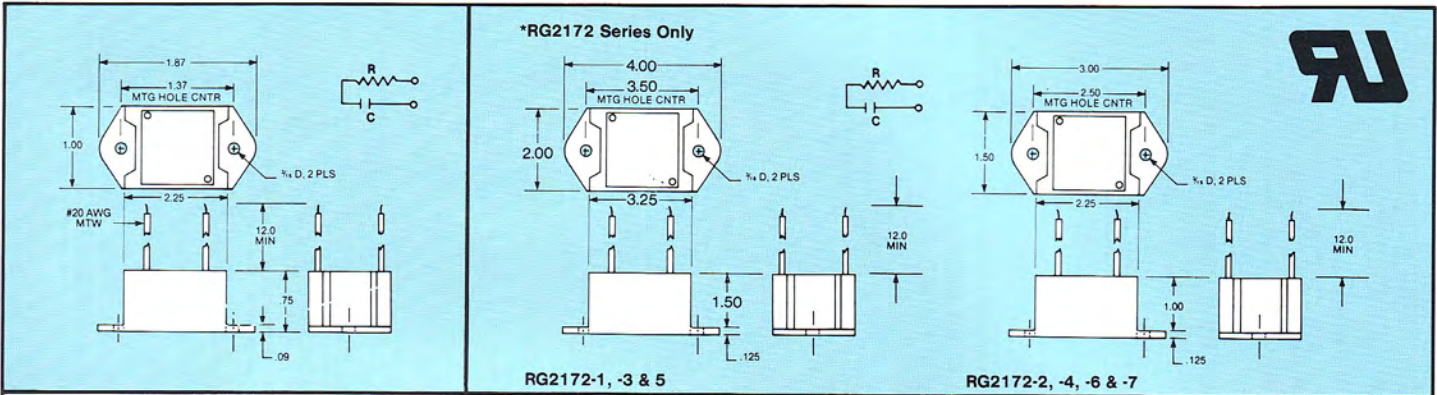


Part No.	Resistor (Ohm ± 10%)	Watts	Capacitor (MFD)	Volts (VAC)
RG2377- 1	22	10	0.5	480
- 2	33	10	0.5	480
- 3	47	10	0.5	480
- 4	68	10	0.5	480
- 5	82	10	0.5	480
- 6	100	10	0.5	480
- 7	150	10	0.5	480
- 8	220	10	0.5	480
- 9	330	10	0.5	480
-10	470	10	0.5	480
-11	680	10	0.5	480

*All leads #18 AWG MTW, 10 inch min.



Part #	Resistance (Ohms ± 10%)	Power (Watts)	Capacitance (MFD)	Tolerance (%)	VDC (Volts)	VAC (Volts)	Peak Pulse Voltage
RG2162-1	22	1/2	.50	10	200	125	300
RG2162-2	33	1/2	.50	10	200	125	300
RG2162-3	47	1/2	.50	10	200	125	300
RG2162-4	68	1/2	.50	10	200	125	300
RG2162-5	82	1/2	.50	10	200	125	300
RG2162-6	100	1/2	.50	10	200	125	300
RG2162-7	150	1/2	.50	10	200	125	300
RG2162-8	220	1/2	.50	10	200	125	300
RG2162-9	330	1/2	.50	10	200	125	300
RG2162-10	470	1/2	.50	10	200	125	300
RG2162-11	680	1/2	.50	10	200	125	300
RG2163-1	22	1/2	1.0	10	200	125	300
RG2163-2	33	1/2	1.0	10	200	125	300
RG2163-3	47	1/2	1.0	10	200	125	300
RG2163-4	68	1/2	1.0	10	200	125	300
RG2163-5	82	1/2	1.0	10	200	125	300
RG2163-6	100	1/2	1.0	10	200	125	300
RG2163-7	150	1/2	1.0	10	200	125	300
RG2163-8	220	1/2	1.0	10	200	125	300
RG2163-9	330	1/2	1.0	10	200	125	300
RG2163-10	470	1/2	1.0	10	200	125	300
RG2163-11	680	1/2	1.0	10	200	125	300
RG2164-1	22	1/2	.10	20	600	250	900
RG2164-2	33	1/2	.10	20	600	250	900
RG2164-3	47	1/2	.10	20	600	250	900
RG2164-4	68	1/2	.10	20	600	250	900
RG2164-5	82	1/2	.10	20	600	250	900
RG2164-6	100	1/2	.10	20	600	250	900
RG2164-7	150	1/2	.10	20	600	250	900
RG2164-8	220	1/2	.10	20	600	250	900
RG2164-9	330	1/2	.10	20	600	250	900
RG2164-10	470	1/2	.10	20	600	250	900
RG2164-11	680	1/2	.10	20	600	250	900
RG2165-1	22	1/2	.25	20	600	250	900
RG2165-2	33	1/2	.25	20	600	250	900
RG2165-3	47	1/2	.25	20	600	250	900
RG2165-4	68	1/2	.25	20	600	250	900
RG2165-5	82	1/2	.25	20	600	250	900
RG2165-6	100	1/2	.25	20	600	250	900
RG2165-7	150	1/2	.25	20	600	250	900
RG2165-8	220	1/2	.25	20	600	250	900
RG2165-9	330	1/2	.25	20	600	250	900
RG2165-10	470	1/2	.25	20	600	250	900
RG2165-11	680	1/2	.25	20	600	250	900
RG2166-1	22	1/2	.50	10	600	250	900
RG2166-2	33	1/2	.50	10	600	250	900
RG2166-3	47	1/2	.50	10	600	250	900
RG2166-4	68	1/2	.50	10	600	250	900
RG2166-5	82	1/2	.50	10	600	250	900
RG2166-6	100	1/2	.50	10	600	250	900
RG2166-7	150	1/2	.50	10	600	250	900
RG2166-8	220	1/2	.50	10	600	250	900
RG2166-9	330	1/2	.50	10	600	250	900
RG2166-10	470	1/2	.50	10	600	250	900
RG2166-11	680	1/2	.50	10	600	250	900



Part #	Resistance (Ohms ± 10%)	Power (Watts)	Capacitance (MFD)	Tolerance (%)	VDC (Volts)	VAC (Volts)	Peak Pulse Voltage	Lead Length (Min. Inches)
RG2167-1	22	1/2	.50	10	200	125	300	12
RG2167-2	33	1/2	.50	10	200	125	300	12
RG2167-3	47	1/2	.50	10	200	125	300	12
RG2167-4	68	1/2	.50	10	200	125	300	12
RG2167-5	82	1/2	.50	10	200	125	300	12
RG2167-6	100	1/2	.50	10	200	125	300	12
RG2167-7	150	1/2	.50	10	200	125	300	12
RG2167-8	220	1/2	.50	10	200	125	300	12
RG2167-9	330	1/2	.50	10	200	125	300	12
RG2167-10	470	1/2	.50	10	200	125	300	12
RG2167-11	680	1/2	.50	10	200	125	300	12
RG2168-1	22	1/2	1.0	10	200	125	300	12
RG2168-2	33	1/2	1.0	10	200	125	300	12
RG2168-3	47	1/2	1.0	10	200	125	300	12
RG2168-4	68	1/2	1.0	10	200	125	300	12
RG2168-5	82	1/2	1.0	10	200	125	300	12
RG2168-6	100	1/2	1.0	10	200	125	300	12
RG2168-7	150	1/2	1.0	10	200	125	300	12
RG2168-8	220	1/2	1.0	10	200	125	300	12
RG2168-9	300	1/2	1.0	10	200	125	300	12
RG2168-10	470	1/2	1.0	10	200	125	300	12
RG2168-11	680	1/2	1.0	10	200	125	300	12
RG2169-1	22	1/2	.10	20	600	250	900	12
RG2169-2	33	1/2	.10	20	600	250	900	12
RG2169-3	47	1/2	.10	20	600	250	900	12
RG2169-4	68	1/2	.10	20	600	250	900	12
RG2169-5	82	1/2	.10	20	600	250	900	12
RG2169-6	100	1/2	.10	20	600	250	900	12
RG2169-7	150	1/2	.10	20	600	250	900	12
RG2169-8	220	1/2	.10	20	600	250	900	12
RG2169-9	330	1/2	.10	20	600	250	900	12
RG2169-10	470	1/2	.10	20	600	250	900	12
RG2169-11	680	1/2	.10	20	600	250	900	12
RG2170-1	22	1/2	.25	20	600	250	900	12
RG2170-2	33	1/2	.25	20	600	250	900	12
RG2170-3	47	1/2	.25	20	600	250	900	12
RG2170-4	68	1/2	.25	20	600	250	900	12
RG2170-5	82	1/2	.25	20	600	250	900	12
RG2170-6	100	1/2	.25	20	600	250	900	12
RG2170-7	150	1/2	.25	20	600	250	900	12
RG2170-8	220	1/2	.25	20	600	250	900	12
RG2170-9	330	1/2	.25	20	600	250	900	12
RG2170-10	470	1/2	.25	20	600	250	900	12
RG2170-11	680	1/2	.25	20	600	250	900	12
RG2171-1	22	1/2	.5	10	600	250	900	12
RG2171-2	33	1/2	.5	10	600	250	900	12
RG2171-3	47	1/2	.5	10	600	250	900	12
RG2171-4	68	1/2	.5	10	600	250	900	12
RG2171-5	82	1/2	.5	10	600	250	900	12
RG2171-6	100	1/2	.5	10	600	250	900	12
RG2171-7	150	1/2	.5	10	600	250	900	12
RG2171-8	220	1/2	.5	10	600	250	900	12
RG2171-9	330	1/2	.5	10	600	250	900	12
RG2171-10	470	1/2	.5	10	600	250	900	12
RG2171-11	680	1/2	.5	10	600	250	900	12
RG2172-1 *	100	10	1.0	10	1000	480	1500	12
RG2172-2 *	100	10	.5	10	1000	480	1500	12
RG2172-3 *	220	10	1.0	10	1000	480	1500	12
RG2172-4 *	220	10	.5	10	1000	480	1500	12
RG2172-5 *	50	10	1.0	10	1000	480	1500	12
RG2172-6 *	50	10	.5	10	1000	480	1500	12
RG2172-7 *	25	10	.1	10	1000	480	1500	12