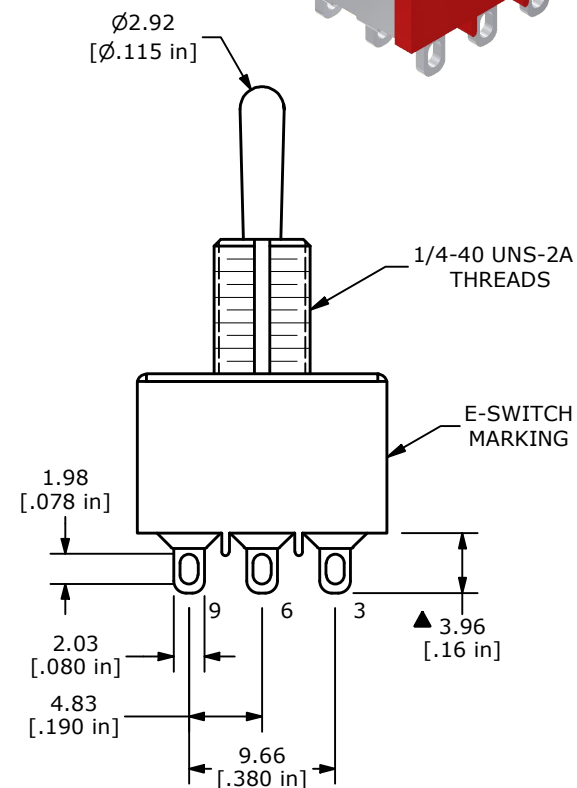
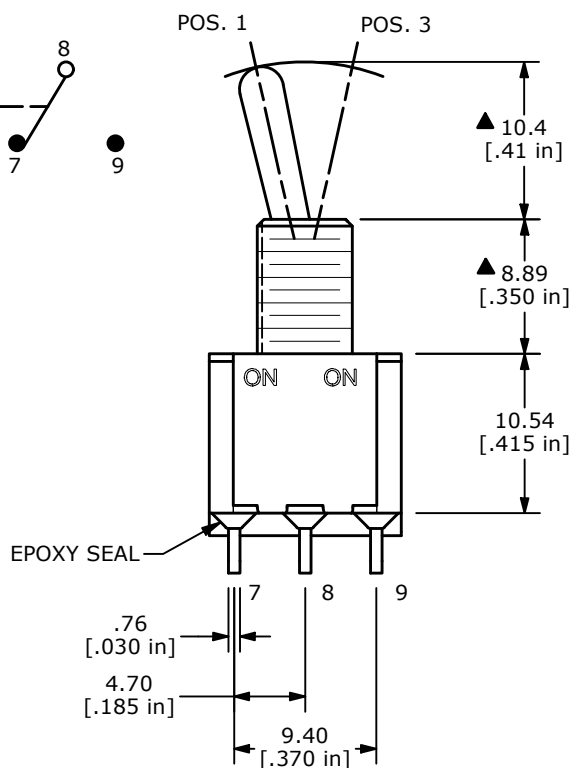
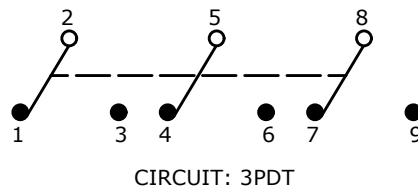


▲ SWITCH FUNCTION		
POS. 1	POS. 2	POS. 3
ON	NONE	ON
2-3, 5-6, 8-9	N/A	2-15-4, 8-7



- NOTE:
- ALL DIMENSIONS IN MM [INCH]
  - GENERAL TOLERANCE: X.X=±0.4  
X.XX=±0.25
  - TERMINAL NUMBERS FOR REF ONLY
  - ▲ CONTACT MATERIAL: SILVER
  - RATING: 2A @ 250 VAC  
5A @ 120 VAC OR 28 VDC
  - ELECTRIC LIFE: 40,000 MAKE-AND-BREAK CYCLES AT FULL LOAD.
  - INSULATION RESISTANCE: 1,000 MEGA-OHM MIN.
  - DIELECTRIC STRENGTH: 1,000 V RMS @SEA LEVEL.
  - OPERATING TEMP.: -40°C to 85°C
  - ▲ DENOTES CRITICAL PARAMETER.
  - HARDWARE INCLUDED:  
T100011 - LOCK WASHER, QTY 1  
T100015 - LOCK RING, QTY 1  
T100000 - HEX NUT, QTY 2

REV	ECO NO	DESCRIPTION	DATE	BY
B	ECO-102352	100 SERIES UPDATE	01/10/24	MR



OBJECT ID  
000023217

TITLE 1003P1T1B1M1QE H				
SCALE 2:1	DATE 8/24/2006	DR BO	DWG ST131003	REV B