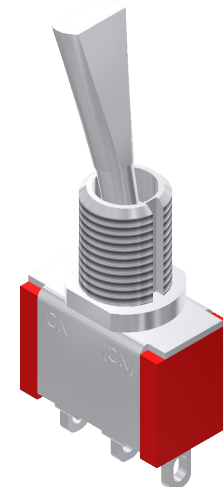
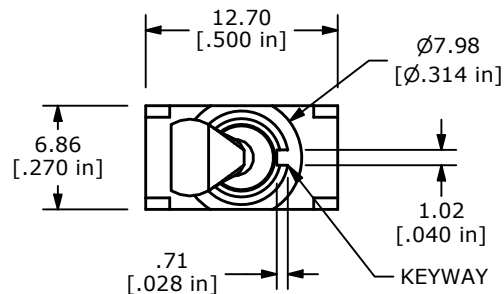
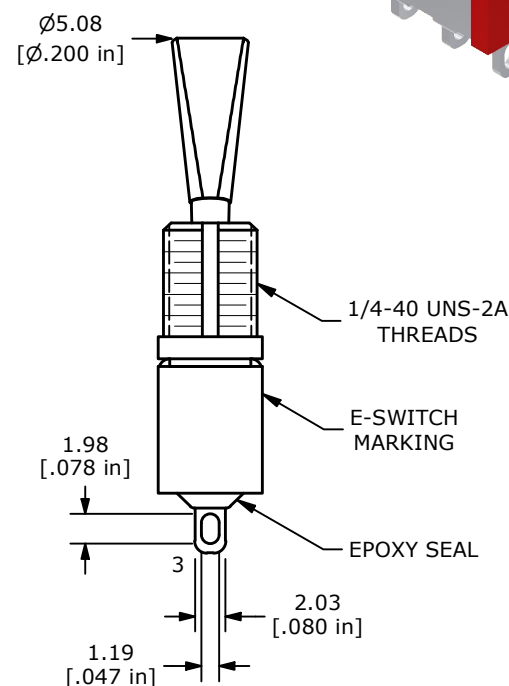
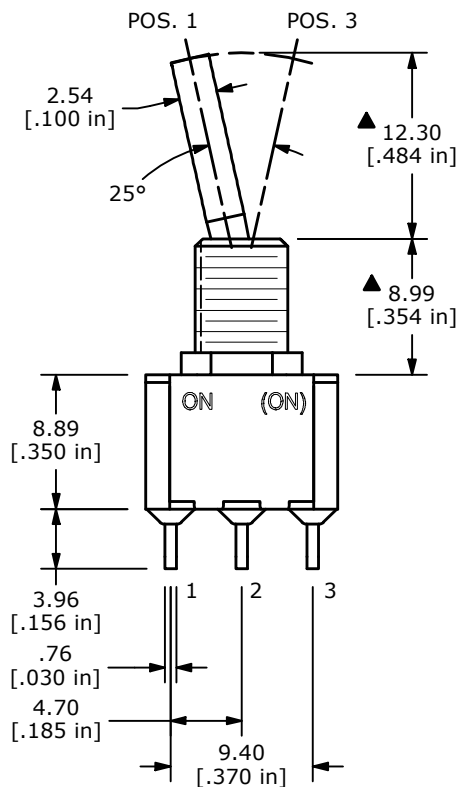
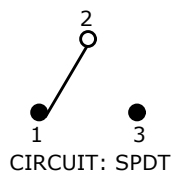


RECOMMENDED PANEL MOUNTING



▲ SWITCH FUNCTION		
POS. 1	POS. 2	POS. 3
ON	NONE	(ON)
2-3	N/A	2-1

() DENOTES MOMENTARY



- NOTE:
- ALL DIMENSIONS IN MM [INCH]
 - GENERAL TOLERANCE: X.X = ±0.4
X.XX = ±0.25
 - TERMINAL NUMBERS FOR REF ONLY
 - CONTACT MATERIAL: SILVER
 - RATING: 2A @ 250 VAC
5A @ 120 VAC OR 28 VDC
 - ELECTRIC LIFE: 6,000 MAKE-AND-BREAK CYCLES AT FULL LOAD.
 - INSULATION RESISTANCE: 1,000 MEGA-OHM MIN.
 - DIELECTRIC STRENGTH: 1,000 V RMS @ SEA LEVEL
 - OPERATING TEMP.: -40°C TO 85°C
 - ▲ DENOTES CRITICAL PARAMETER.
 - HARDWARE TO BE SHIPPED BULK
T100011 - LOCK WASHER - QTY 1
T100015 - LOCK RING - QTY 1
T100000 - HEX NUT - QTY 2

REV	ECO NO	DESCRIPTION	DATE	BY
B	ECO-102145	100 SERIES UPDATE	08/16/23	MR



OBJECT ID
000022989

TITLE 100SP2T6B11M1QEH

SCALE 2:1	DATE 6/23/2008	DR CJB	DWG ST112018	REV B
-----------	----------------	--------	--------------	-------