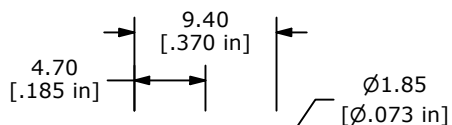
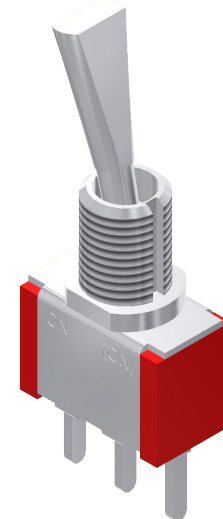
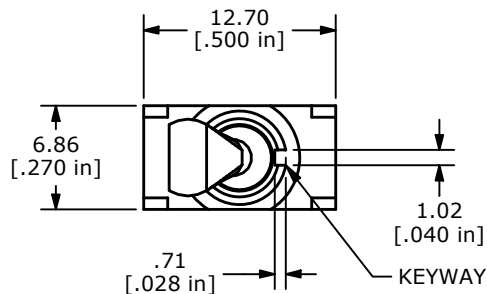


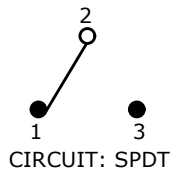
RECOMMENDED PANEL MOUNTING



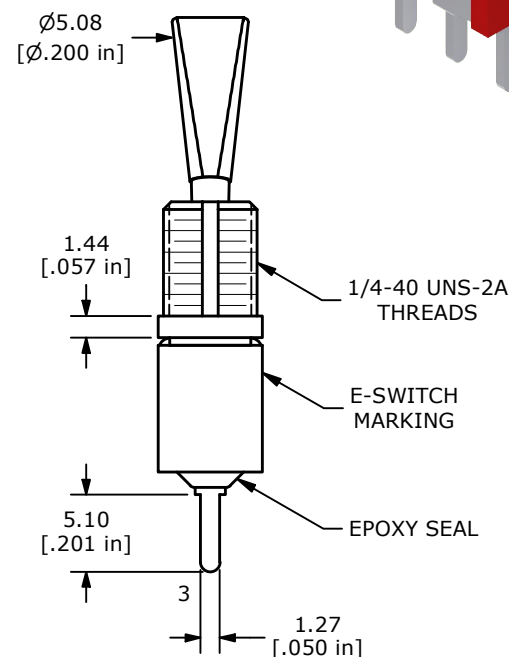
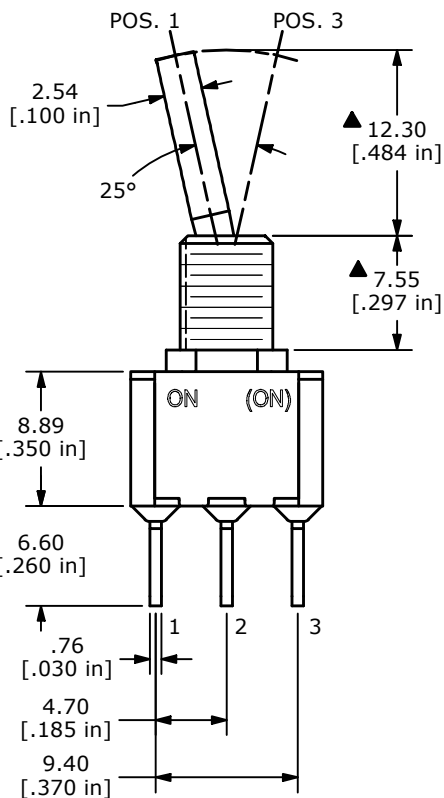
RECOMMENDED PCB LAYOUT

▲ SWITCH FUNCTION		
POS. 1	POS. 2	POS. 3
ON	NONE	(ON)
2-3	N/A	2-1

() = DENOTES MOMENTARY



CIRCUIT: SPDT



- NOTE:
1. ALL DIMENSIONS IN MM [INCH]
 2. GENERAL TOLERANCE: X.X = ±0.4
X.XX = ±0.25
 3. TERMINAL NUMBERS FOR REF ONLY
 - ▲ 4. CONTACT MATERIAL: SILVER
 5. RATING: 2A @ 250 VAC
5A @ 120 VAC OR 28 VDC
 6. ELECTRIC LIFE: 6,000 MAKE-AND-BREAK CYCLES AT FULL LOAD.
 7. INSULATION RESISTANCE: 1,000 MEGA-OHM MIN.
 8. DIELECTRIC STRENGTH: 1,000 V RMS @ SEA LEVEL
 9. OPERATING TEMP.: -40°C TO 85°C
 10. ▲ DENOTES CRITICAL PARAMETER.

REV	ECO NO	DESCRIPTION	DATE	BY
D	ECO-102224	100 SERIES UPDATE	10/10/23	MR



OBJECT ID
000023975

TITLE 100SP2T6B11M2QE				
SCALE 2:1	DATE 5/10/2007	DR TN	DWG T112024	REV D