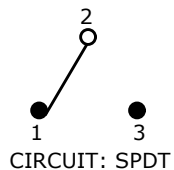


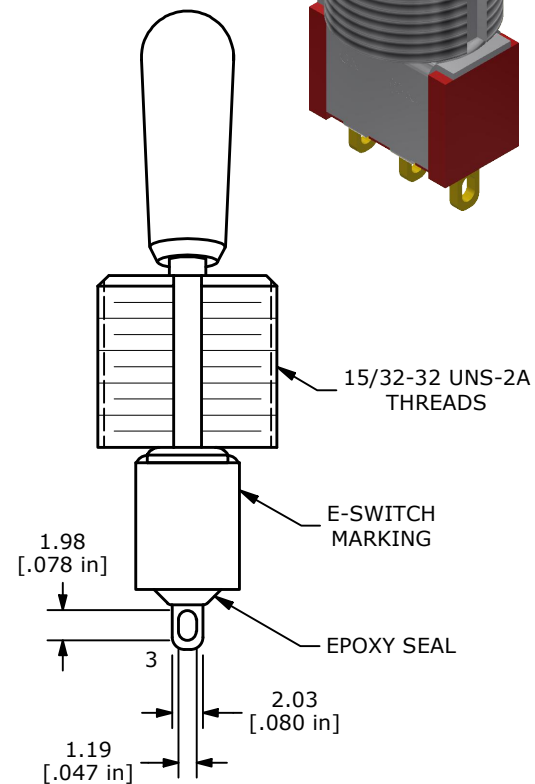
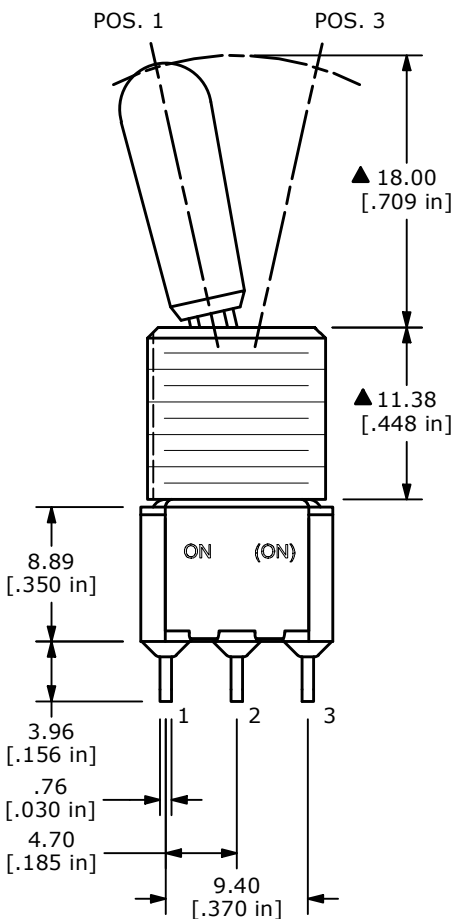
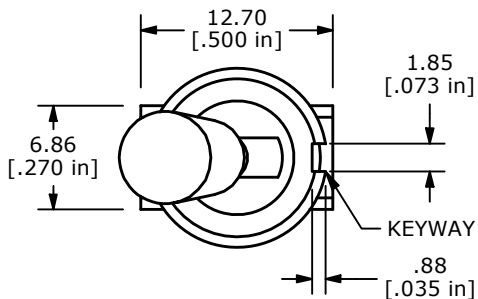
RECOMMENDED PANEL MOUNTING

▲ SWITCH FUNCTION		
POS. 1	POS. 2	POS. 3
ON	NONE	(ON)
2-3	N/A	2-1

() = DENOTES MOMENTARY



- NOTE:
- ALL DIMENSIONS IN MM [INCH]
 - GENERAL TOLERANCE: X.X = ±0.4
X.XX = ±0.25
 - TERMINAL NUMBERS FOR REF ONLY
 - CONTACT MATERIAL: GOLD
 - RATING: 0.4 VOLT-AMPS (VA) MAX. @ 20V MAX. (AC OR DC)
 - ELECTRIC LIFE: 6,000 MAKE-AND-BREAK CYCLES AT FULL LOAD.
 - INSULATION RESISTANCE: 1,000 MEGA-OHM MIN.
 - DIELECTRIC STRENGTH: 1,000 V RMS @ SEA LEVEL
 - OPERATING TEMP.: -40°C TO 85°C
 - ▲ DENOTES CRITICAL PARAMETER.



REV	ECO NO	DESCRIPTION	DATE	BY
B	ECO-102224	100 SERIES UPDATE	10/10/23	MR



OBJECT ID
000024032

TITLE 100SP2T8B13M1RE				
SCALE 2:1	DATE 5/27/2003	DR AR	DWG T113049	REV B

THE INFORMATION CONTAINED IN THIS DOCUMENT IS PROPRIETARY TO E-SWITCH AND IS NOT TO BE COPIED OR TRANSFERRED