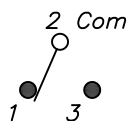


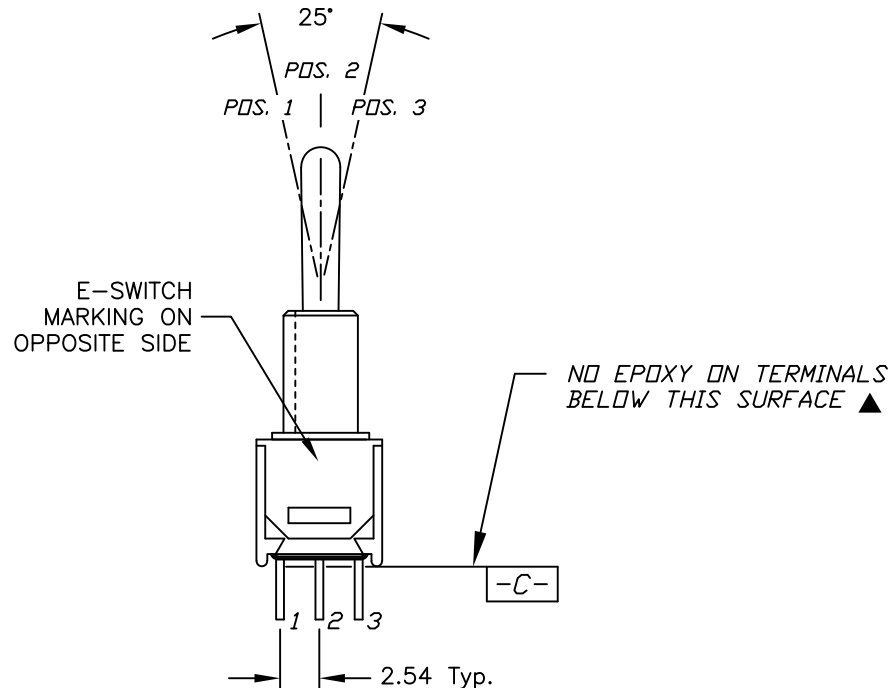
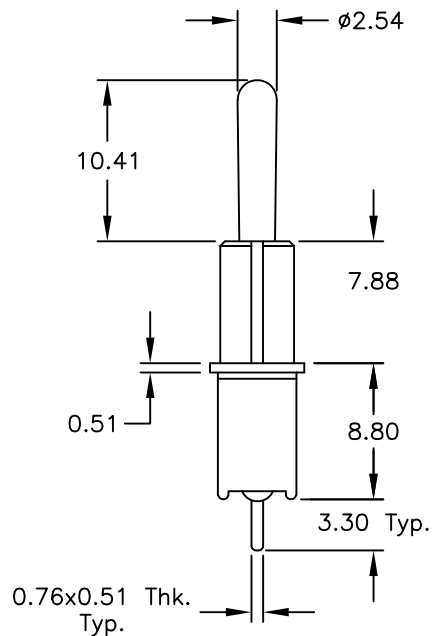
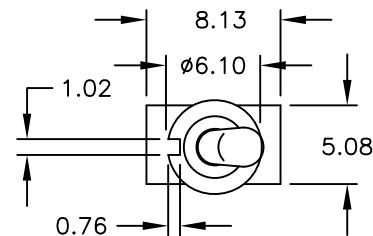
RECOMMENDED P.C.B. LAYOUT



CIRCUIT: SPDT  
CONTACT CONFIGURATION

SWITCH FUNCTION		
POS. 1	POS. 2	POS. 3
<DN>	OFF	<DN>
2-3	OPEN	2-1

( < )=Momentary



NOTES:

1. ALL DIMENSIONS IN MM
2. GENERAL TOLERANCE: X.X=±0.4  
X.XX=±0.25
3. TERM. NOS. FOR REF. ONLY
4. CONTACT RATING: 0.4 (VA) max. @20 VAC or DC max.
5. ELECTRIC LIFE: 30,000 make-and-break cycles at full load.
6. INSULATION RESISTANCE: 1,000 M ohm min.
7. DIELECTRIC STRENGTH: 1,000 V RMS @sea level.
8. OPERATING TEMP. -30°C to 85°C
9. DESIGNATE MAJOR DIMENSION ▲

**E-SWITCH®**

A	11366	RELEASED FOR PRODUCTION	4/2/01	CJB
REV.	ECN No.	DESCRIPTION	DATE	CHKD

THE INFORMATION CONTAINED IN THIS DOCUMENT IS PROPRIETARY TO E-SWITCH AND IS NOT TO BE COPIED OR TRANSFERRED

TITLE					200 MSP-4 T4 B4 M2 R E				
SCALE	2:1	DATE	4/2/01	DR	CJB	DWG	T211064	REV	A